

# Stinger 8500 Stacker

**Unit  
Index**

Shourcuts

**Chassis  
Index**

Shourcuts

**Parts Manual  
2021 & 2022  
S/N A1046-A1055**

**Control  
Valves**

**Filters**

**Belts**

**Fluids**

**Stacker Unit  
Assemblies**

**Lights**

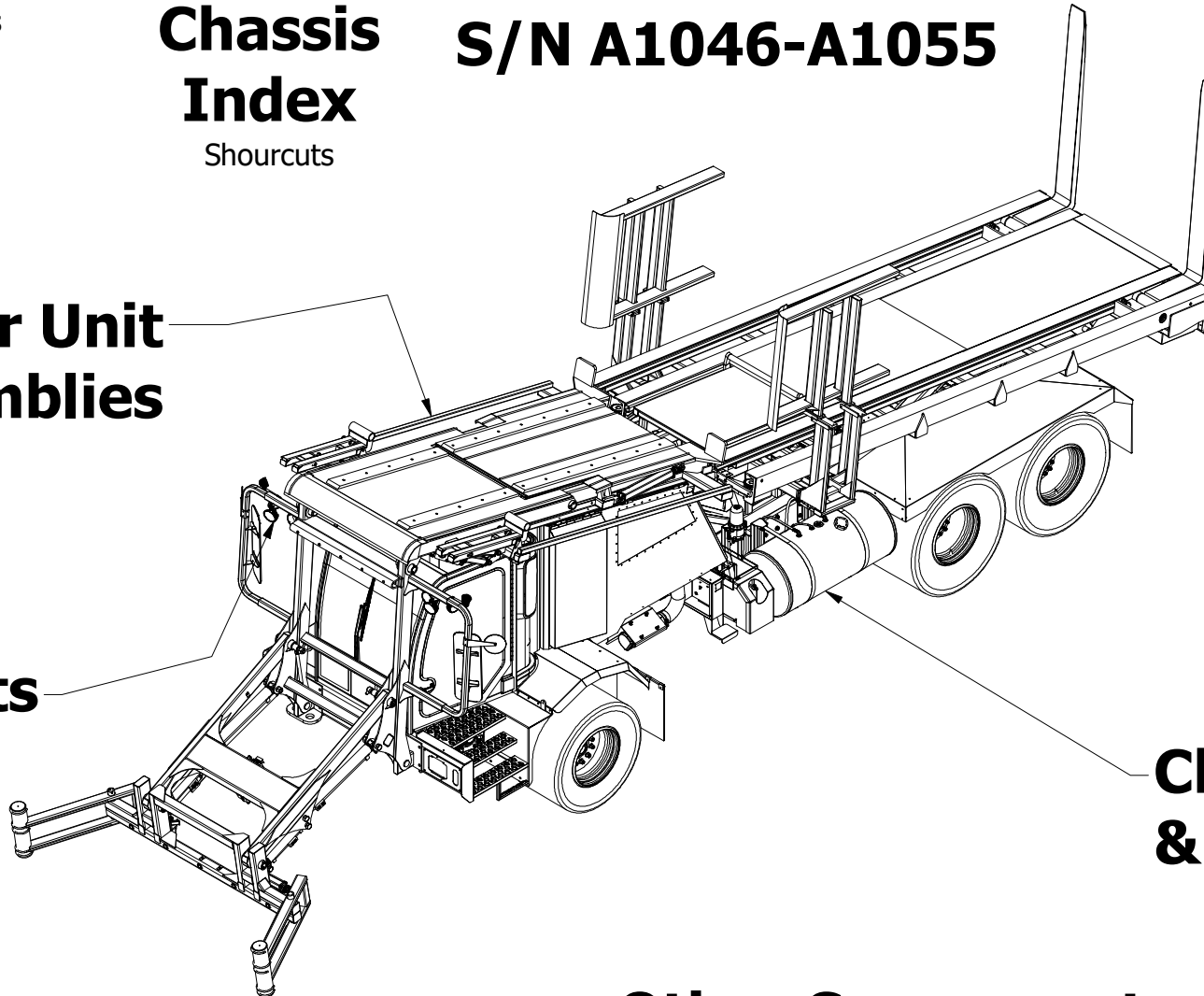
**Chassis, Cab  
& Fenders**

**Stinger**

**Operator's Manual**

**Other Components**

**Parts & Service Manuals**



---

**8500 Stacker  
Unit Index**

**Back**

**Home**

**Control  
Valves**

**Poly Squeeze  
Parts**

**Hydraulic  
Cylinders**

**Frontend**

**A/C Parts**

**Stackframe**

**Top Deck**

**Chain  
Components**

**Subframes  
& Doors**

---

---

**8500 Stacker  
Chassis Index**

**Back**

**Home**

**Fenders**

**Engine**

**Chassis**

**Mudflaps**

**A/C Parts**

**Spring  
Hangers**

**Cab**

**Transmission**

**Wheels &  
Tires**



---

## Component Manuals

These files will open in a new window

**Back**

**Home**

**Operator's Manuals**

**Parts Manuals**

**Service Manuals**

**Allison**

**MTU**

**Allison**

**MTU**

**Hendrickson**

**Hendrickson**

(Rear Suspension)

(Rear Suspension)

**Cleanfix**

**Sheppard**

(Steering Gear Box)

---

## Dana/Spicer Service Manuals

**Slack Adjuster**

**Front Axle**

**Rear Axle**

(Parts)

(Parts)

**Brake Shoes**

**Wheel Ends**

**Rear Axle**

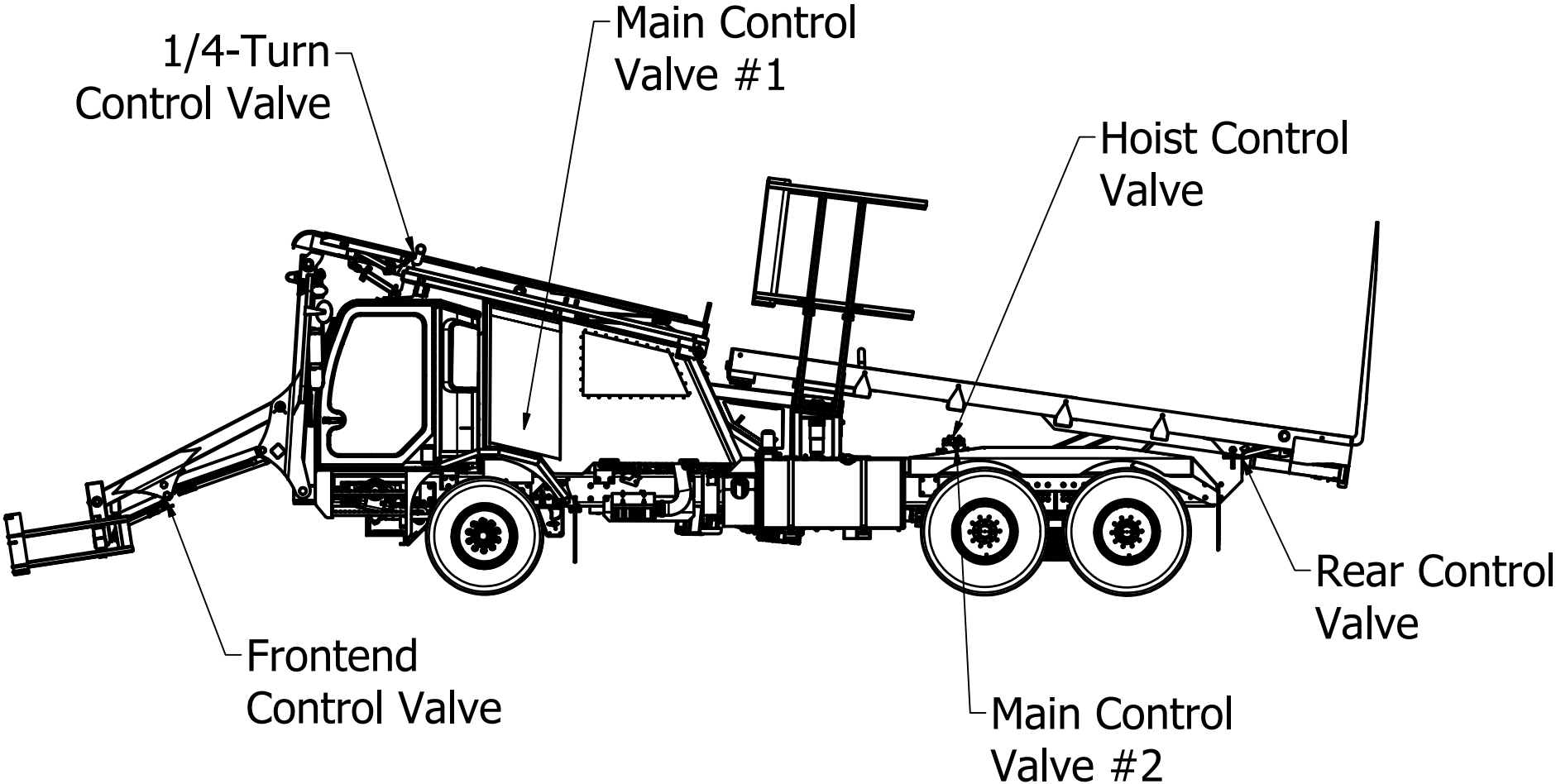
(Service)

# Stinger 8500 Stacker

[Back](#)

[Home](#)

## Control Valves Locations

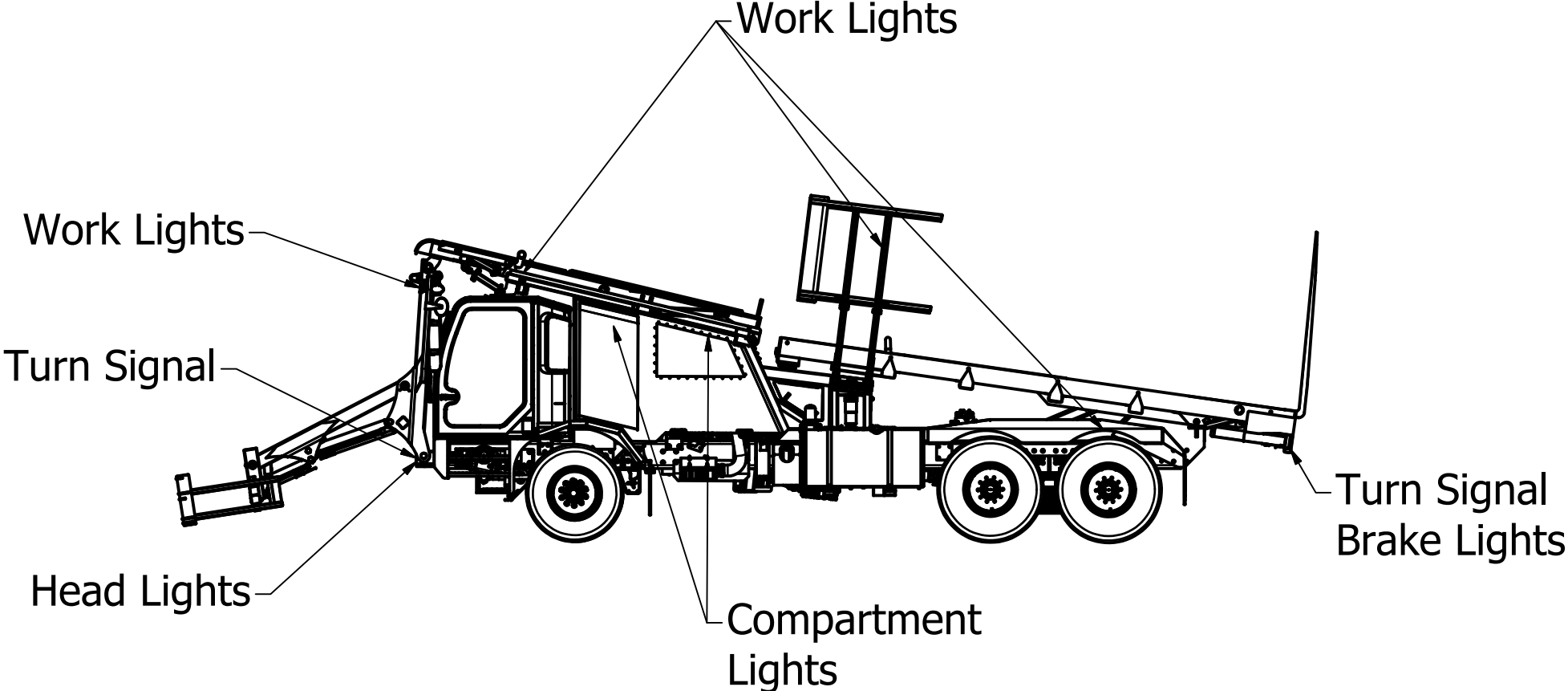


# Stinger 8500 Stacker

[Back](#)

[Home](#)

## Light Index



---

# Hydraulic Cylinder Index

**Back**

**Home**

**Front  
Cylinders**

**Rear  
Cylinders**

---

# Stinger 8500 Stacker

---

## Fluids Index

**Back**

**Home**

**Power  
Steering**

**Engine Oil**

**Hydraulic  
Oil**

**Rear  
Differential**

**Transmission  
Oil**

**Engine  
Coolant**

---



---

# Power Steering Fluids

[Back](#)

## Filter part #1490-5469

(Nelson #83804E....Donaldson #P550637)

Change filter after 250 hrs and every 1000 hrs thereafter

[Home](#)

### 10 qts fills the system

## Approved Hydraulic Fluids

Automatic Transmission Fluid Dexron II  
Automatic Transmission Fluid Type "E" or "F"  
Chevron 10W-40  
Chevron Custom 10W-40 Motor Oil  
Chevron Torque 5 Fluid  
Exxon Nuto H32 Hydraulic Fluid  
Fleetrite PSF (Can #990625C2)  
Ford Spec. M2C138CJ  
Mack EO-K2 Engine Oil

Mobil ATF 210  
Mobil Super 10W-40 Motor Oil  
Premium Blue 2000 - SAE 15W-40  
\*Shell Rotella T30W  
\*Shell Rotella T SAE 30  
Texaco 10W-40  
Texaco TL-1833 Power Steering Fluid  
Union 10W-40  
Union 15W-40  
Unocal Guardol 15W-40 Motor Oil

The steering system should be kept filled with one of the above fluids. Fluids marked with an asterisk (\*) have not been approved for use with TRW's pump.



#### **WARNING**

Completely flush the steering system with one of the recommended fluids above only. Do not mix oil types. Any mixture or any unapproved oil could lead to seal deterioration and leaks. A leak could ultimately cause the loss of fluid, which could result in a loss of power steering assist.

---

---

## **Rear Differential Oil**

**[Back](#)**

**[Home](#)**

**The Rear differential uses 85/140 gear lube**

**It takes 39 pints to fill the system**

**Change oil after the first 250 hrs**

**and every 12 months thereafter**

---

---

# Hydraulic Oil

[Back](#)

[Home](#)

**Filter #1490-5214**

(Donaldson #P16-5878)

**Hydraulic oil should have an ISO AW-46 rating**

(Approx. 130 gallons fills the system)

**John Deer Hy-Guard & CIH Hy-Trans work fine**

**Change filters every 12 months**

---

---

## **Transmission Oil**

**Back**

**Filter #1490-4598**

**Home**

(Allison #29548988.....Donaldson #P560971)

**Transmission Oil should be Allison approved**

(T.E.S. 295)

**Initial fill 32 qts, Refill 22 qts**

**Change the filter at 200 hrs then  
Change Oil/Filter every 3000 hrs for synthetic Oils**

**Partial List of  
T.E.S. 295 Oils**

---

# Stinger 8500 Stacker

---

## Engine Oil

[Back](#)

[Home](#)

## Oil Filter

(SN:A1046-A1055) Cummins 5579176.....1490-7904

## Oil Change 40 qts

SAE-C4 15/40 (Mobile Delvac)

**Change oil/filter every 500 hrs**

---

**Engine Oil Filter**  
**(SN:A1046-Later) ...Cummins LF14001-NN.....1490-7904**

**Fuel Filters**  
**(SN:A1046-Later)... Cummins FF5825-NN.....1490-7903**

**Def Filter**  
**(SN:A1046-Later).....Cummins 5579176.....1490-8041**

**Def Head Filter**  
**(SN:A1046-Later).....CCC 999-0289.....1490-7766**

**Engine Air Filters (S/N A1013-Later)**  
**Primary (Outer) .....Enginaire 68541-1.....1490-7359**  
**Donaldson P191653-016-576.....1490-7856**  
**Secondary (Inner).....Enginaire 68541-2.....1490-7360**

**Transmission Filter.....Allison 29548988.....Donaldson P560971.....1490-4598**

**Hydraulic Oil Filter (Requires 2).....Donaldson P16-5878.....1490-5214**

**Cab Air Filters**  
**A/C Recirculated Filter Air .....Badger BT8-1037.....1490-7737**

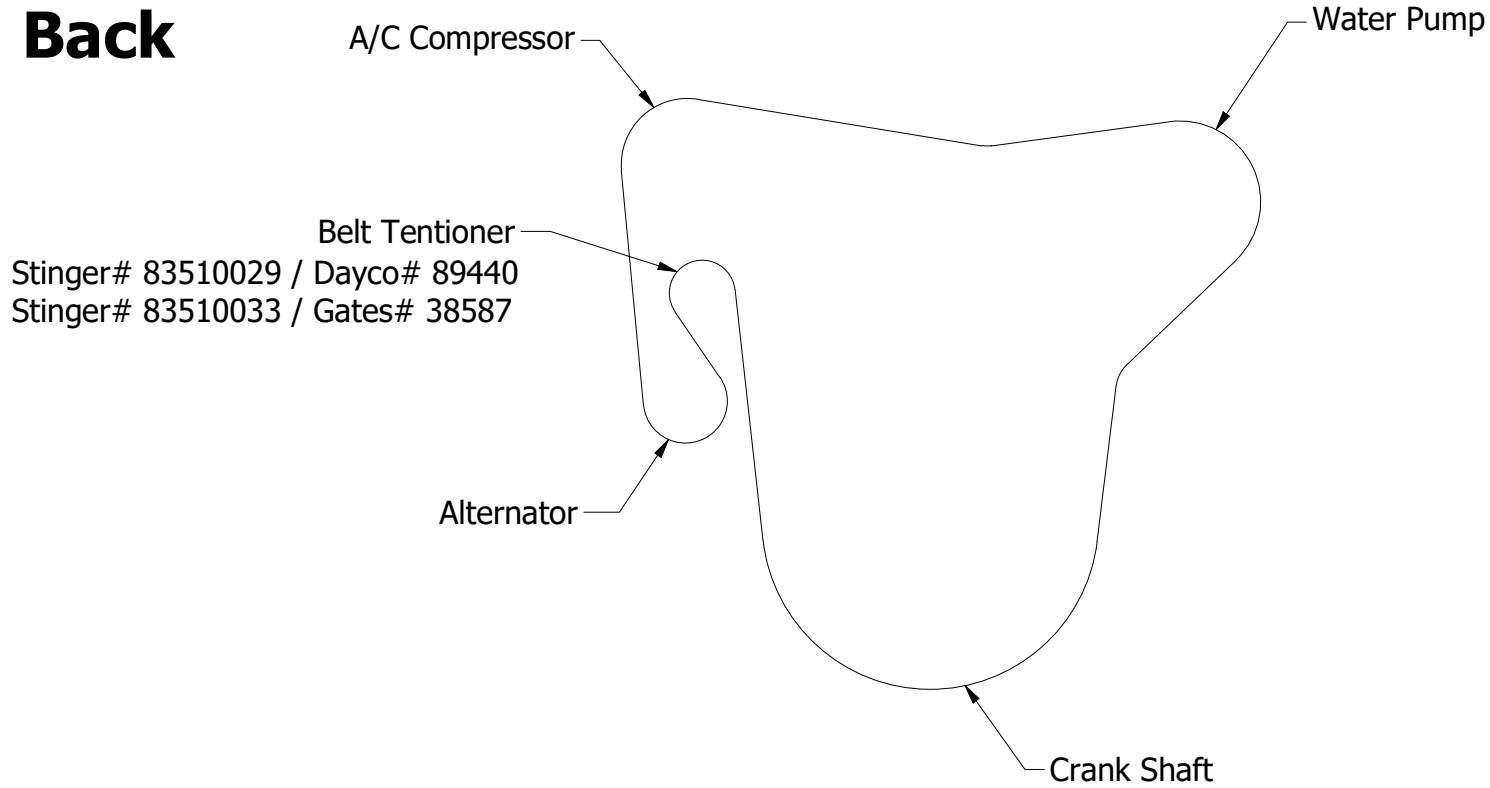
---

---

# Belt Routing

**Back**

**Home**



## Serpentine Belt

**SN: A1046-A1055.....Cummins 3693219.....1490-7905**

---

---

## T. E. S. 295 Approved Transmission Oils

[Back](#)

[Home](#)

<b>Marketer</b>	<b>Brandname</b>
Castrol	Transynd
BP Lube	Autran Syn 295
Cognis	Emgard 2805
International	Fleetrite Synthetic ATF
ExxonMobile	Delvac Sybthetic ATF
John Deere	HD SynTran
Volvo	Bulldog Synthetic ATF

---



## **Belts & Filters**

### **Filters**

**Engine Oil Filter**.....**1490-7904** (Cummins LF14001-NN) .....Unit# A1046-Later

**Fuel Filters:** .....**1490-7903** (Cummins FF5825-NN).....Unit# A1046-Later

**Transmission Filter**.....**1490-4598** (Allison #29548988...Donaldson #P560971) Unit# A1000-Later

**Engine Air Filter: Primary (Outer)**.....**1490-7359** (Enginaire #68541-1) Unit# A1013-Later

**1490-7856** (Donaldson #P191653-016-576) Unit# A1013-Later

**Secondary (Inner)** .....**1490-7360** (Enginaire #68541-2) Unit# A1013-Later

**Hydraulic Oil Filter**.....**1490-5214** (Donaldson #P16-5878) Unit# A1000-Later (Requires 2)

#### **A/C Filters**

**A/C Recirculated Filter Air**.....**1490-7737** (Badger BT8-1037) Unit# A1046-Later

### **Belts**

**Fan Belt (Serpentine)**.....**1490-7905** (Cummins 3693219)..... Unit # A1046-Later

More Information

**Fluid  
Index**

---

# Rear Cylinder Index

**Back**

**Home**

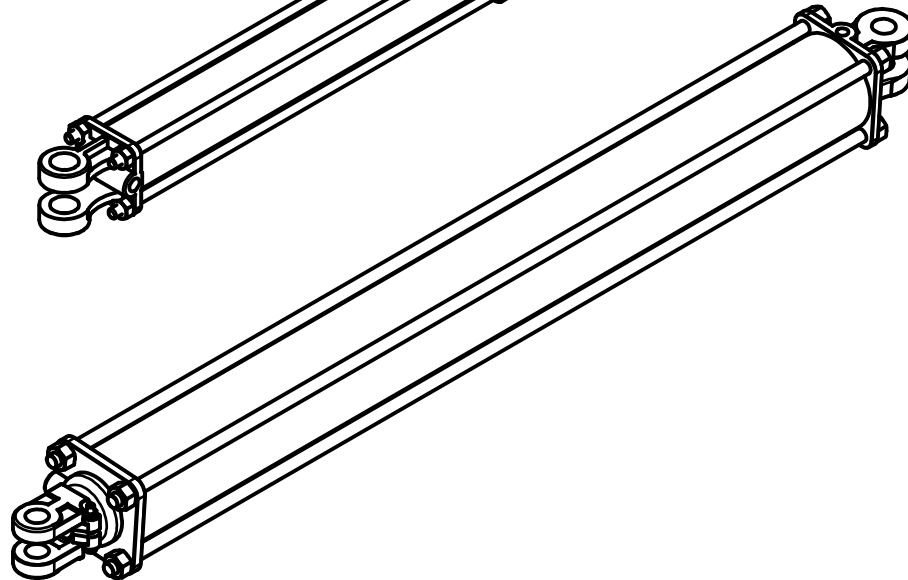
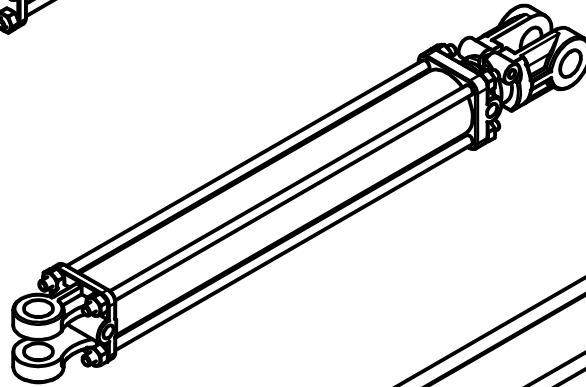
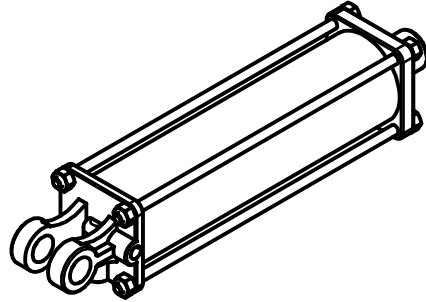
**Hoist**

**Pull-Bar**

**Stackdown**

**Squeeze**

**Push-Off**



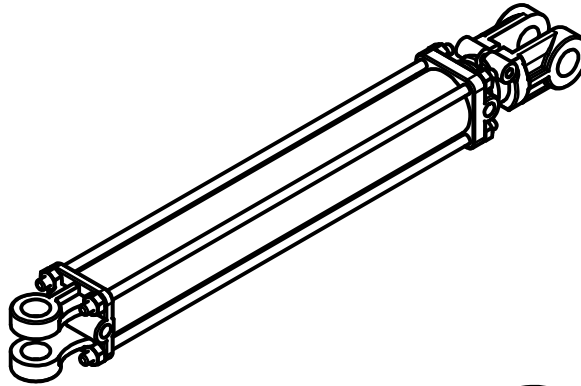
---

**Front Cylinder  
Index**

**Back**

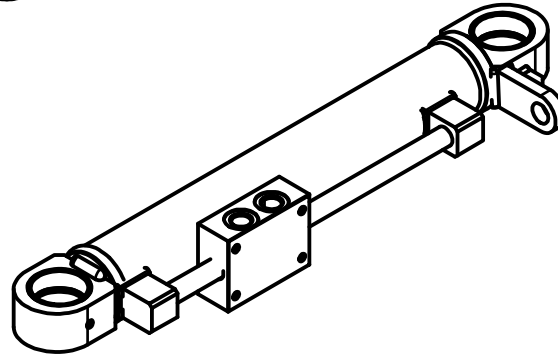
**Home**

**Front Sqz**



**Slide Assist**

**Front Tilt** w/Sensor



**Front Lift** w/Sensor

**Front Tilt**

**Front Lift**

**Double Turn**

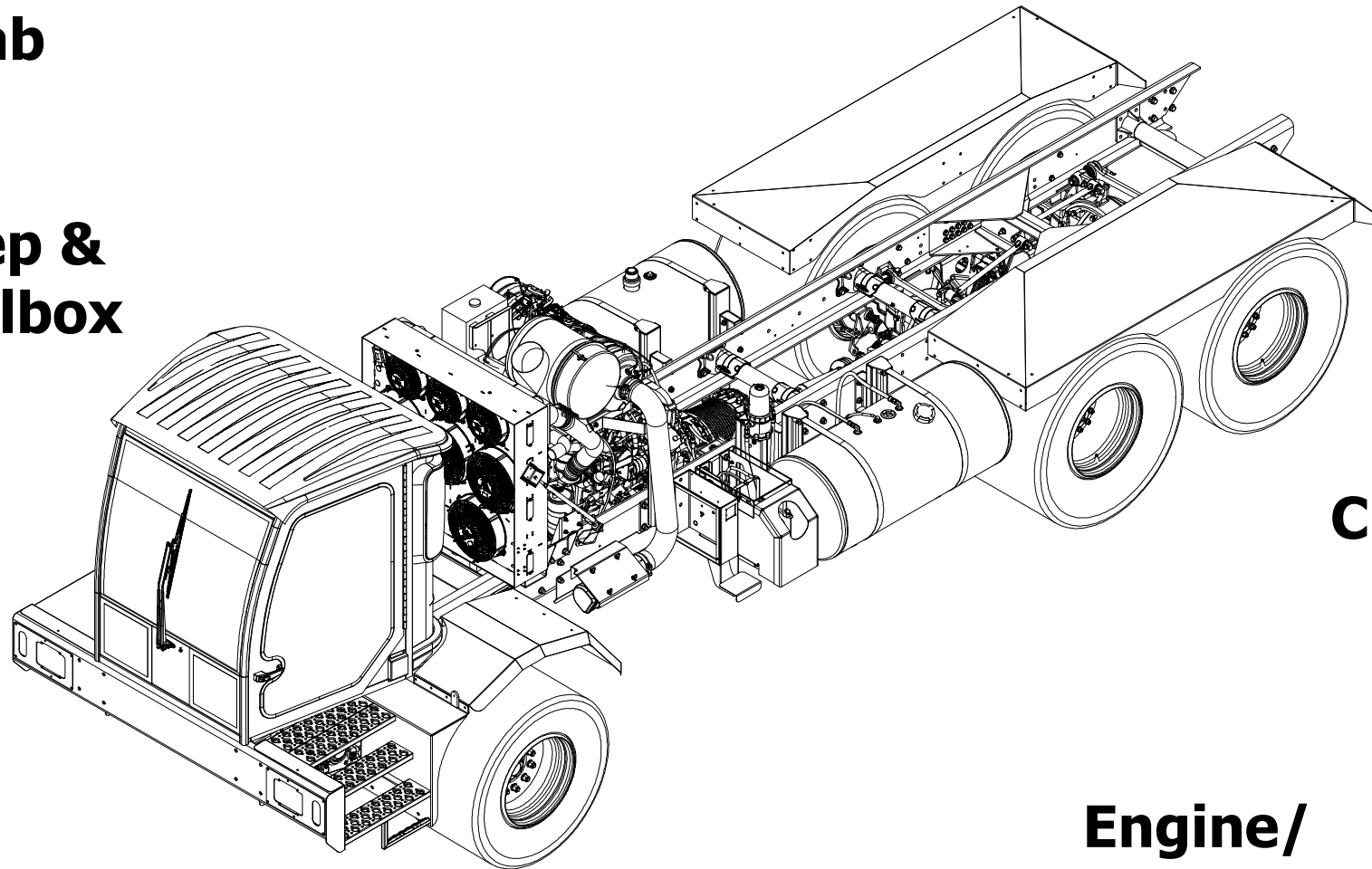
---

# 8500 Stacker Chassis

**Cab**

**Fenders**

**Step &  
Toolbox**



**Chassis**

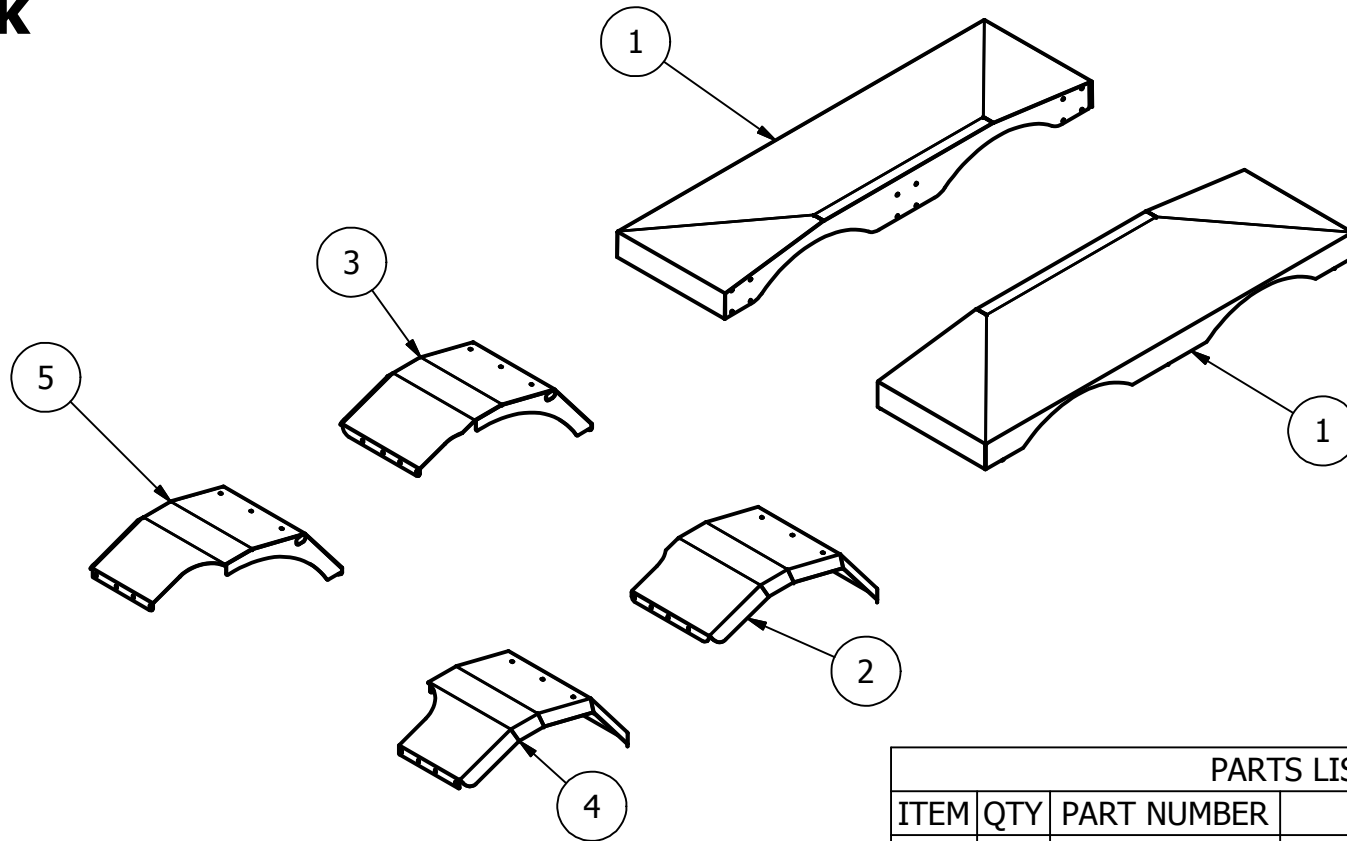
**Engine/  
Transmission**

**Mudflaps**

# 8500 Fenders

Back

Home



Mud Flaps

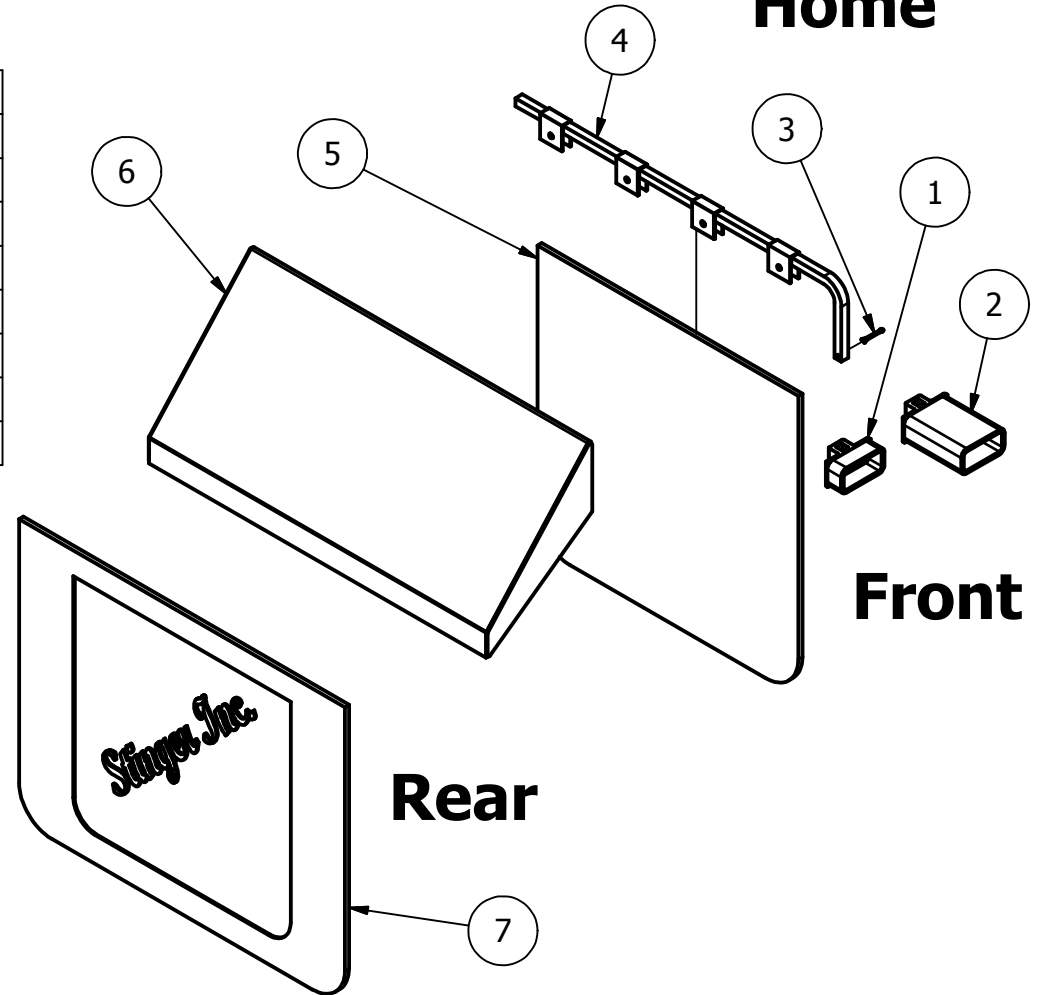
PARTS LIST			
ITEM	QTY	PART NUMBER	DESCRIPTION
1	2	2017A1	8500 Tandem Series Fender
2	1	2017A5	Front LH SS Fender (Floats)
3	1	2017A6	Front RH SS Fender (Floats)
4	1	2017A3	Front LH SS Fender (Std)
5	1	2017A4	Front RH SS Fender (Std)

# Mud Flap Detail

**Back**

PARTS LIST			
ITEM	QTY	PART NUMBER	DESCRIPTION
1	2	2006A2	Front Mudflap Ext. Weldment (Std)
2	2	2006A4	Front Mudflap Ext. Weldment (Floats)
3	2	Cotter Pin	1/8 X 1-3/8 Cotter Pin
4	2	1490-5088	Mudflap Arm
5	2	1490-4514	24 X 24 Mudflap W/Stinger Bee
6	2	2017A2	8500 SS Rear Fender Mudflap Bracket
7	2	1490-2310	24 X 30 Mudflap W/Stinger Bee

**Home**



[Back](#)

[Home](#)

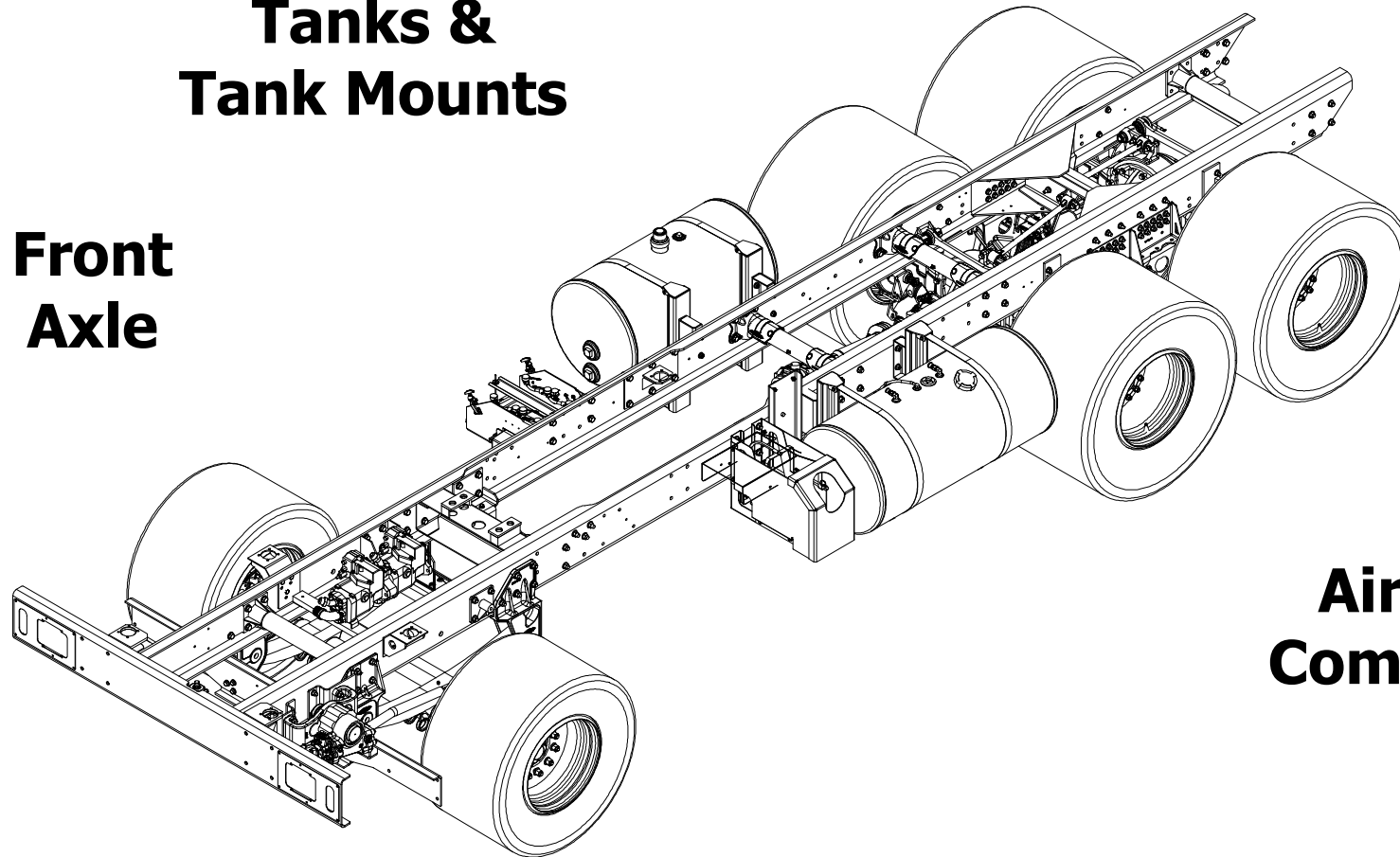
**Stinger  
8500 Chassis**

**Rear  
Suspension**

**Tanks &  
Tank Mounts**

**Front  
Axle**

**Rear  
Axles**



**Air Brake  
Components**

**Lights**

**Wheels  
& Tires**

# Stinger 8500 Stacker

[Back](#)

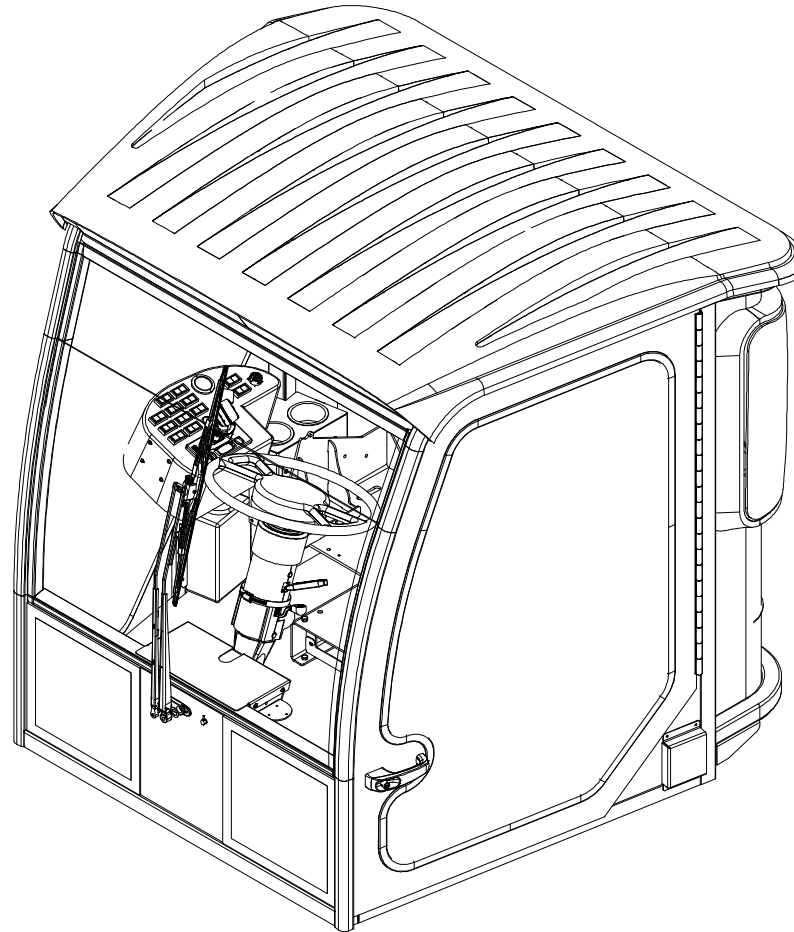
[Home](#)

## Able Cab Elements Gen 4

**Joystick**

**Heating & A/C**

**Trans  
Shifter**



**Glass**

**Seat**

**Monitor  
Assembly**



# Stinger 8500 Stacker

[Back](#)

[Home](#)

## Engine & Pumps

Units# A1046-A1055

[Electrical](#)

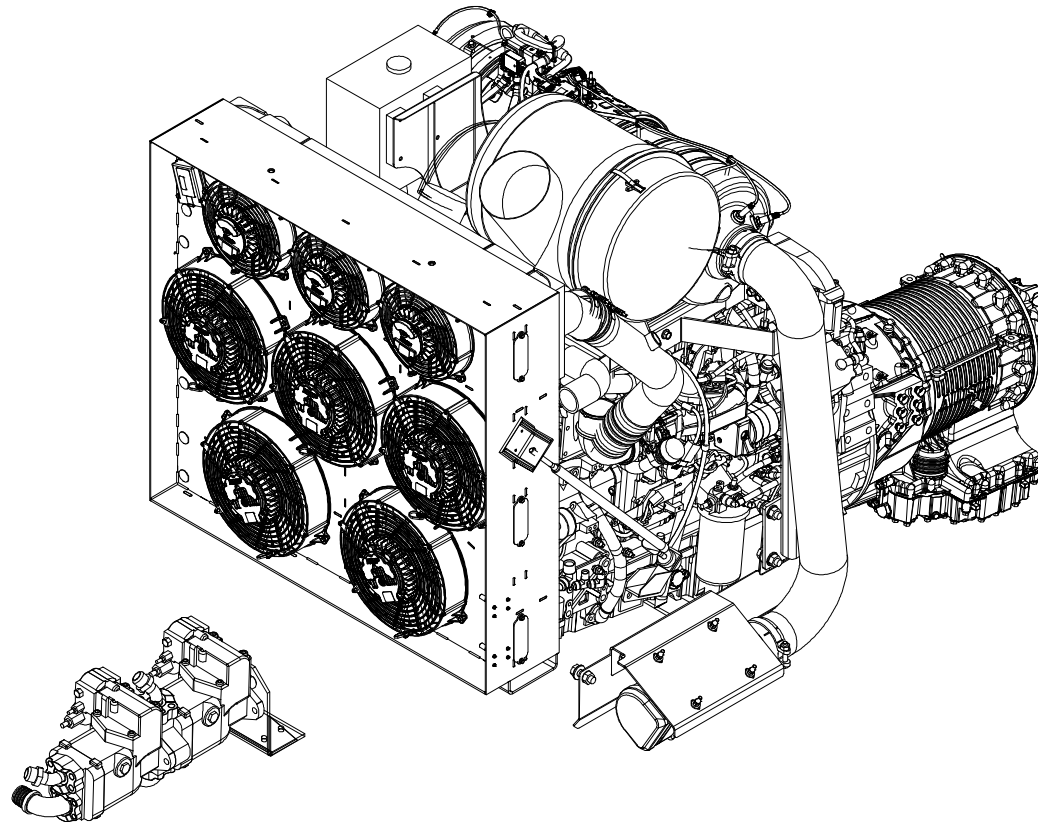
[Transmission](#)

[Filters](#)

[Cooling  
Systems](#)

[Exhaust](#)

[Hydraulic  
Pumps](#)

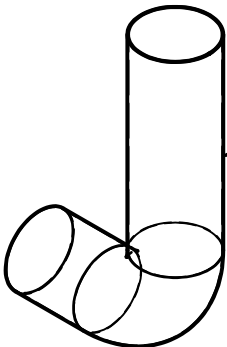


---

# Engine Exhaust

[Back](#)

[Home](#)



**Turbo Exhaust Elbow Part #1490-6233**



**Exhaust V-Band Clamp Part #1490-5982**



**Turbo Exhaust Adapter Part #1490-6140**

---

---

## Engine Electrical

[Back](#)

[Home](#)

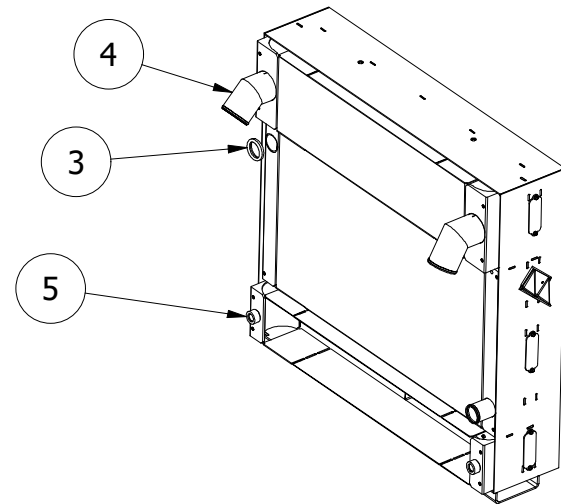
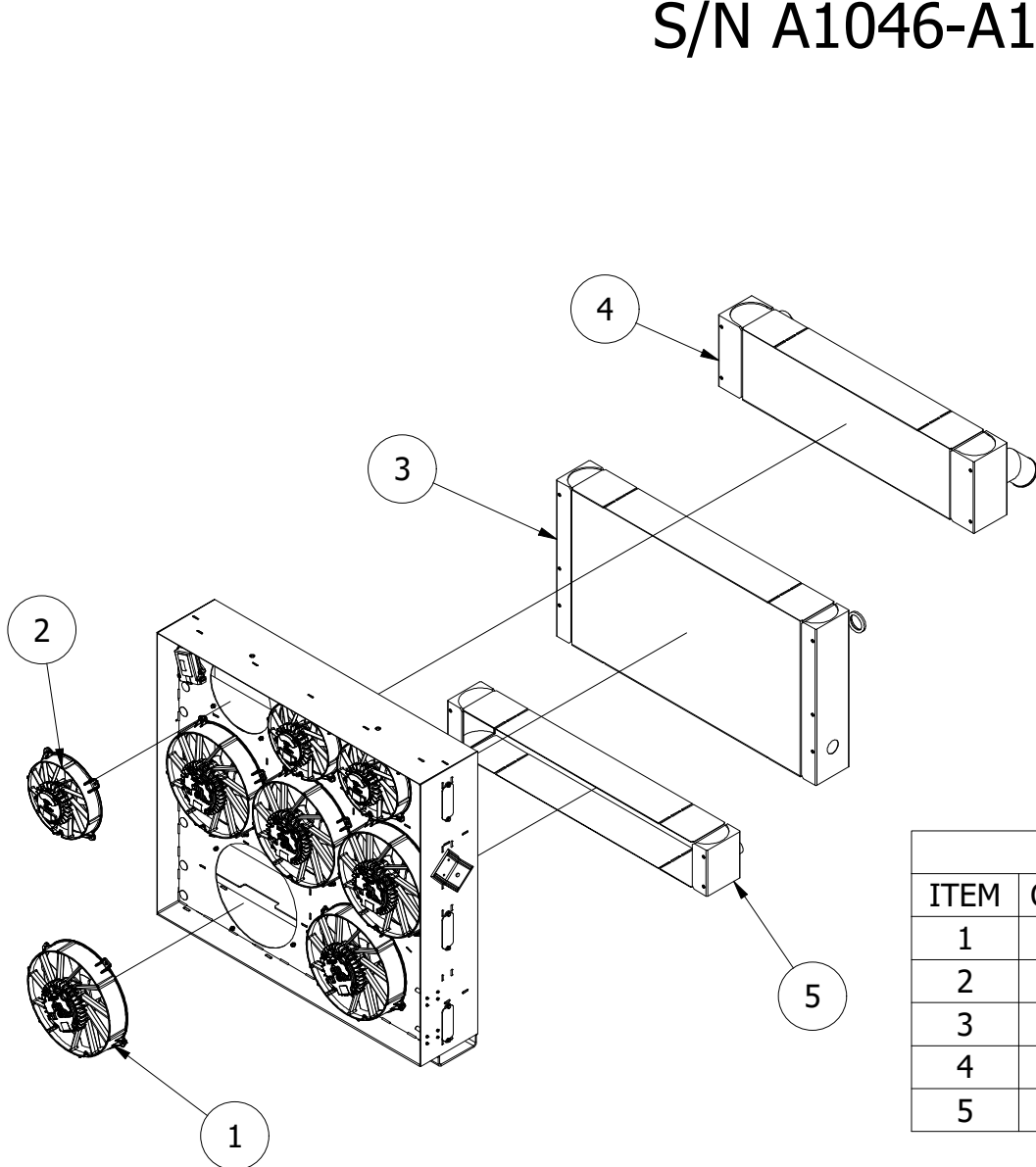
**Alternator, Delco Remy, 55SI 420A Part #1490-7896**

**Main Disconnect Switch Part #1490-4911**

**Batteries are Group 31** (995 Cold Cranking Amps)

## Engine Cooling System

S/N A1046-A1055



PARTS LIST			
ITEM	QTY	PART NUMBER	DESCRIPTION
1	5	1490-8022	15" 12V radiator fan for 8500's
2	3	1490-8023	11" 12V, Radiator fan for 8500's
3	1	1490-8065	Radiator Foley 2021 8500
4	1	1490-8066	Charge Air Cooler Foley 2021 8500
5	1	1490-8067	Trans Oil Cooler Foley 2021 8500

Coolant should be replaced every 2000 hrs with a 50/50 mixture (52qts)

---

## **Transmission Components**

**Back**

**Home**

**Allison E027310 4500RDS 6-speed  
Transmission Part # 83500002**

**Gen 5 Shifter Part # 1490-6422**  
(No detent spring required)

**Filters**

**Partial List of  
T. E. S.  
Approved Oils**

**Joystick  
Control**

---

# Stinger 8500 Stacker

---

## Hydraulic Pump Components

(Units# A1045-A1055)

[Back](#)

[Home](#)

**Double PVG 100 Pump Set #1490-6272**

**Pump Seal Kit Part #1490-5480 2 required**

**Pump Seal Kit Part #1490-6933 2 required**

**Pump Front Shaft Seal #1490-5632**

**Pump Drive Shaft Part #1490-7848\_Unit A1046-A1055**

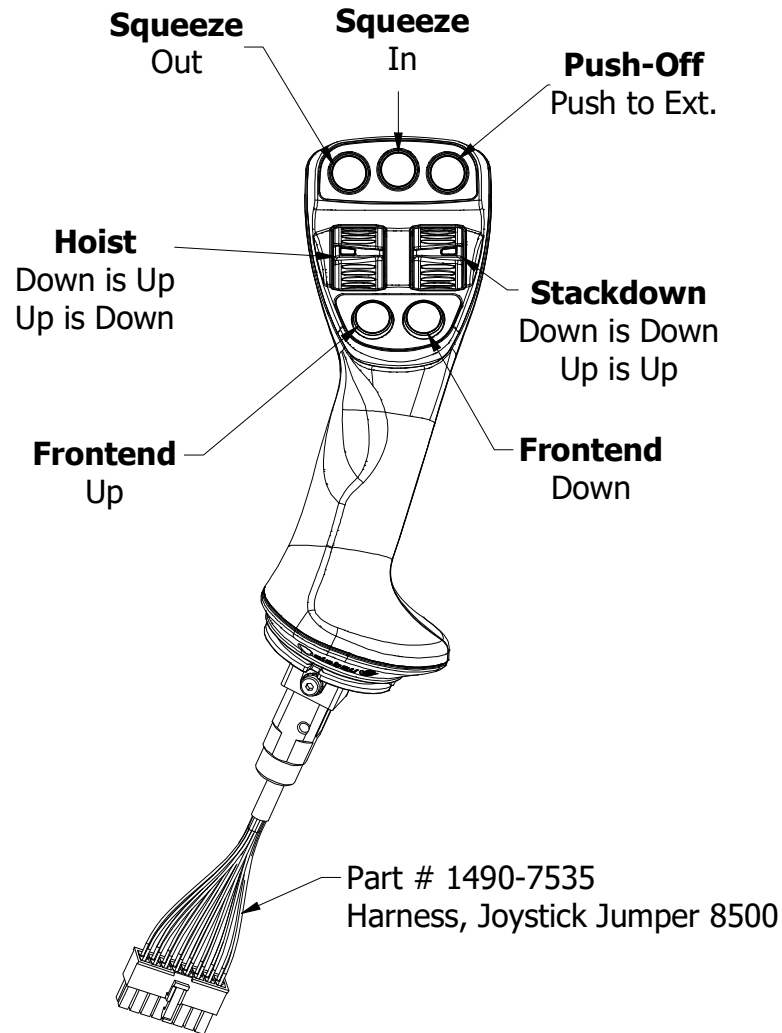
**1350 Pump Drive Engine Flange Yoke Part #1490-6390**

**1350 Pump Drive U-Joint With Grease Zerk Part #1490-6788**

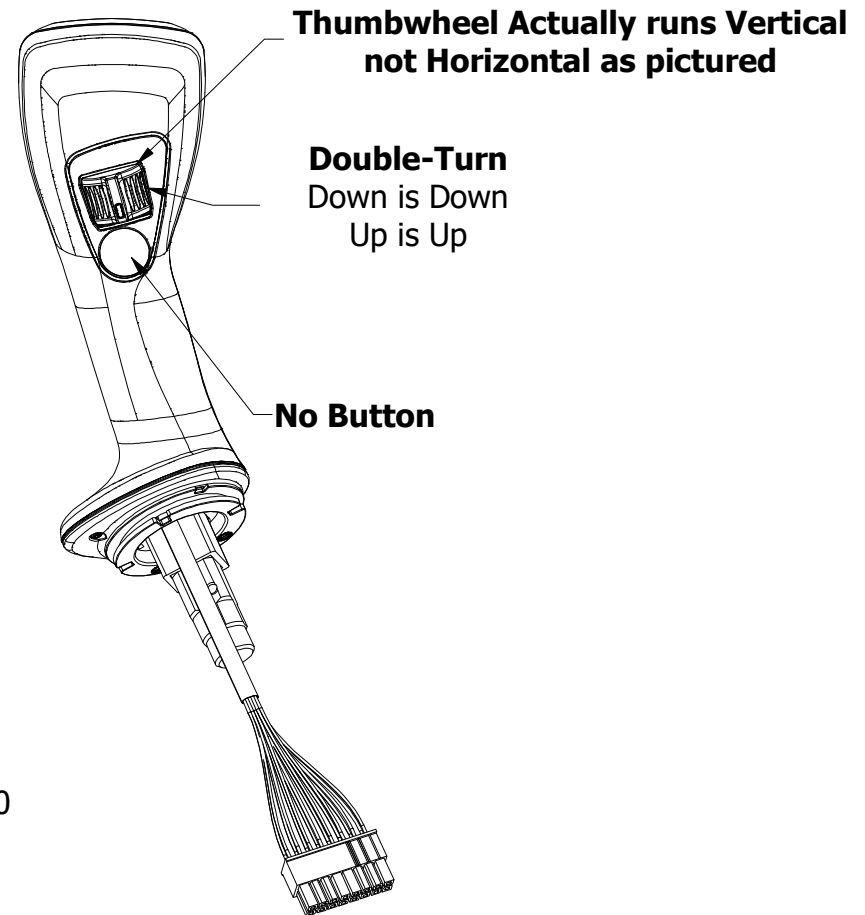
---

# 8500 Joystick Control 1490-6584

## Back



## Home



---

## Seat Components

**Back**

**Standard SST Hi-Back Seat  
W/ TLV Air Suspension  
Part # 1490-5880**

**Home**

**Adjustable Shock W/Control  
Cable  
Part # 1490-5949**

**Non-adjustable Shock  
W/Bushings  
Part # 1490-5948**

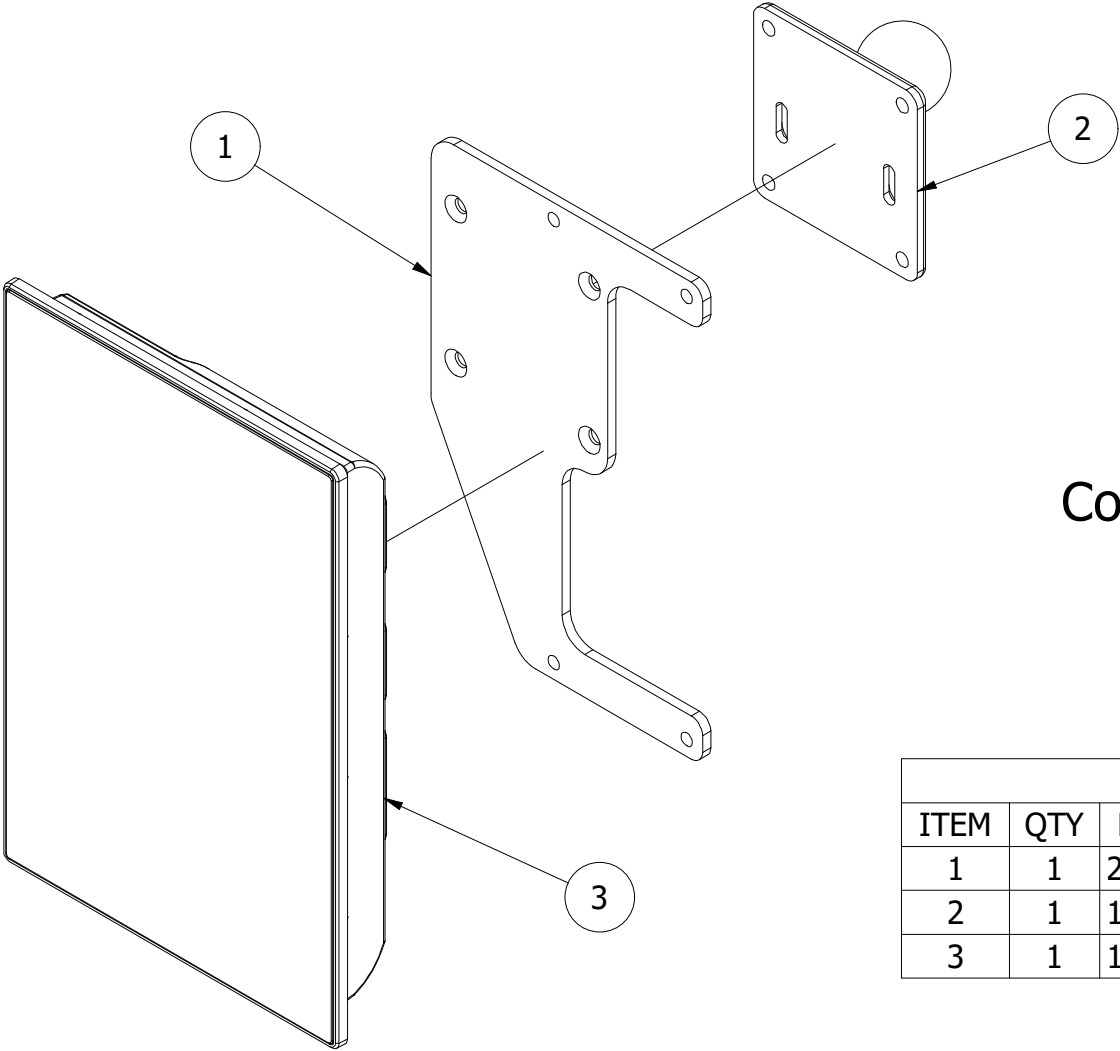
**Seat Air Pump W/Brass Fittings  
Part # 1490-5991**

**Non-adjustable Shock Only  
Part # 1490-5852**

---



## Unit Control Monitor Assembly



Ram Ratchet Swing Arm  
Part # 1490-6996

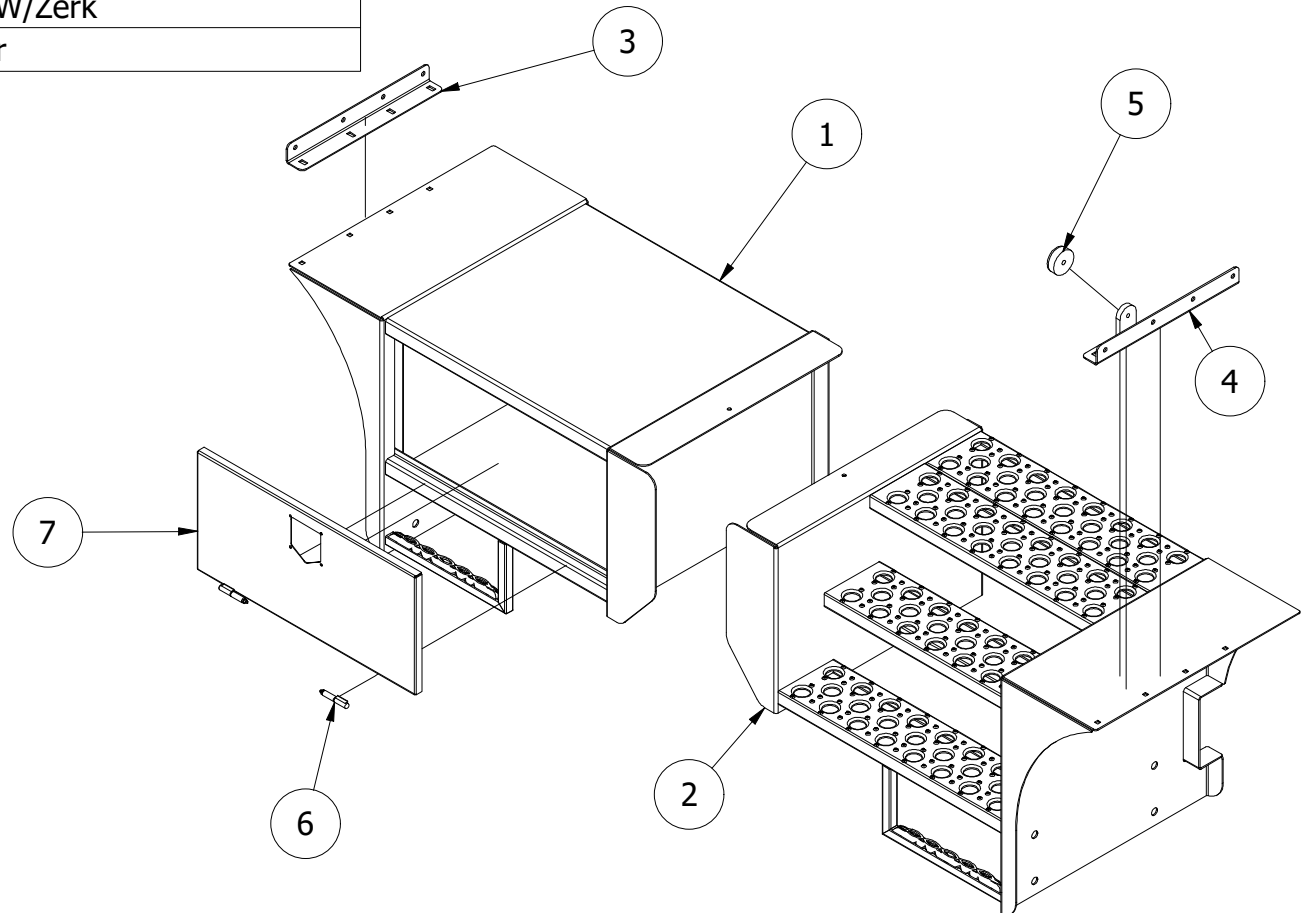
Control Monitor Mounting Arm  
Part # 2017A22

PARTS LIST			
ITEM	QTY	PART NUMBER	DESCRIPTION
1	1	2017-109	display mount plate
2	1	1490-6402	Versa Base Mount W/1.5" Ball
3	1	1490-7803	PV1100-T Portrait Touch Display

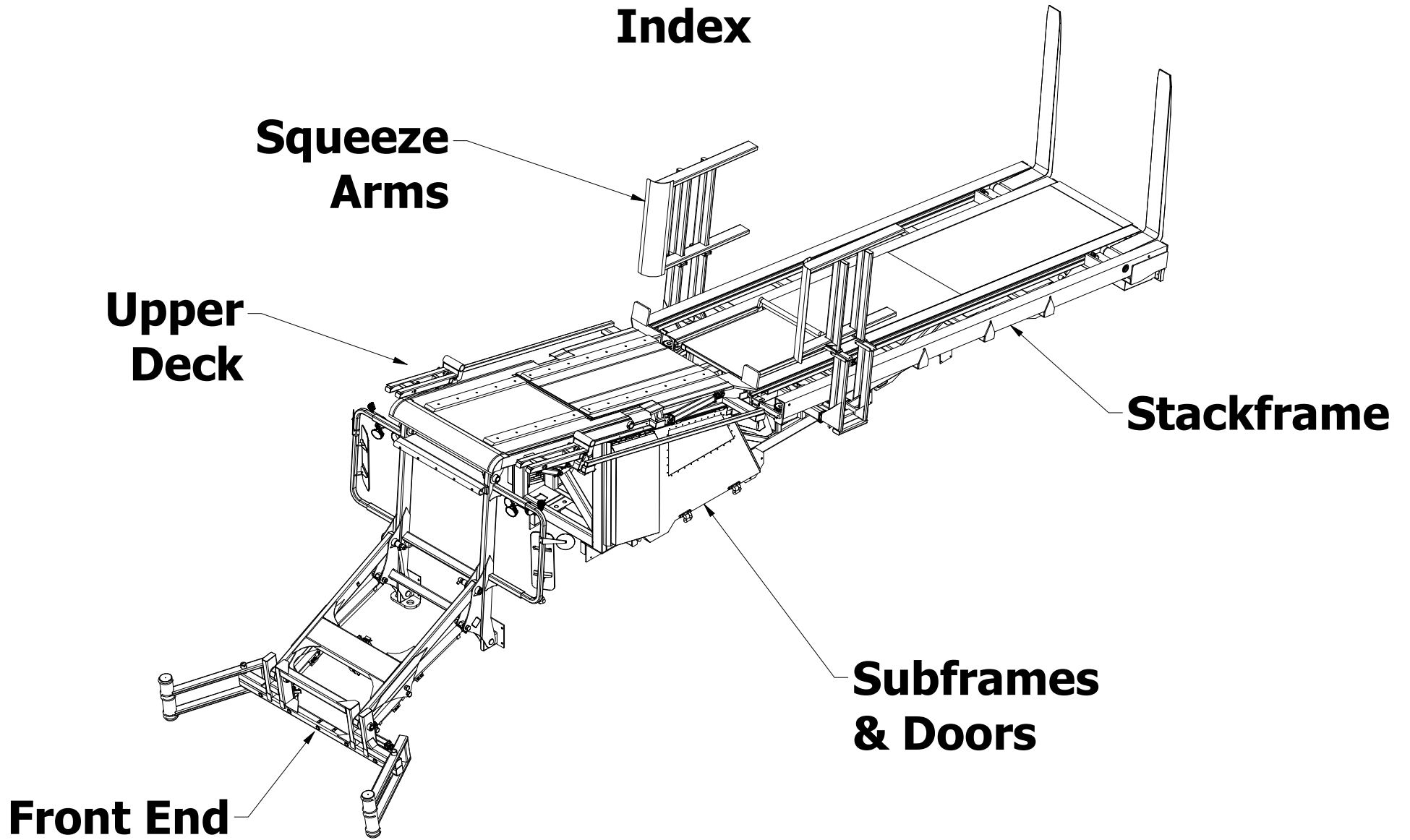
# Step & Toolbox Detail

PARTS LIST			
ITEM	QTY	PART NUMBER	DESCRIPTION
1	1	2017A15	Step & Tool Box Assy
2	1	2017A16	Entry Step Weldment
3	1	2017-113	Tool Box Fender Mounting Bracket
4	1	2017A18	Step Fender Mounting Bracket
5	1	1490-2442	B-1 Bumper
6	2	1490-4764	Small Hinge W/Zerk
7	1	2000-405	Toolbox Door

Required 2017 to 23  
Required 2017 to 23



# Stacking Unit Index

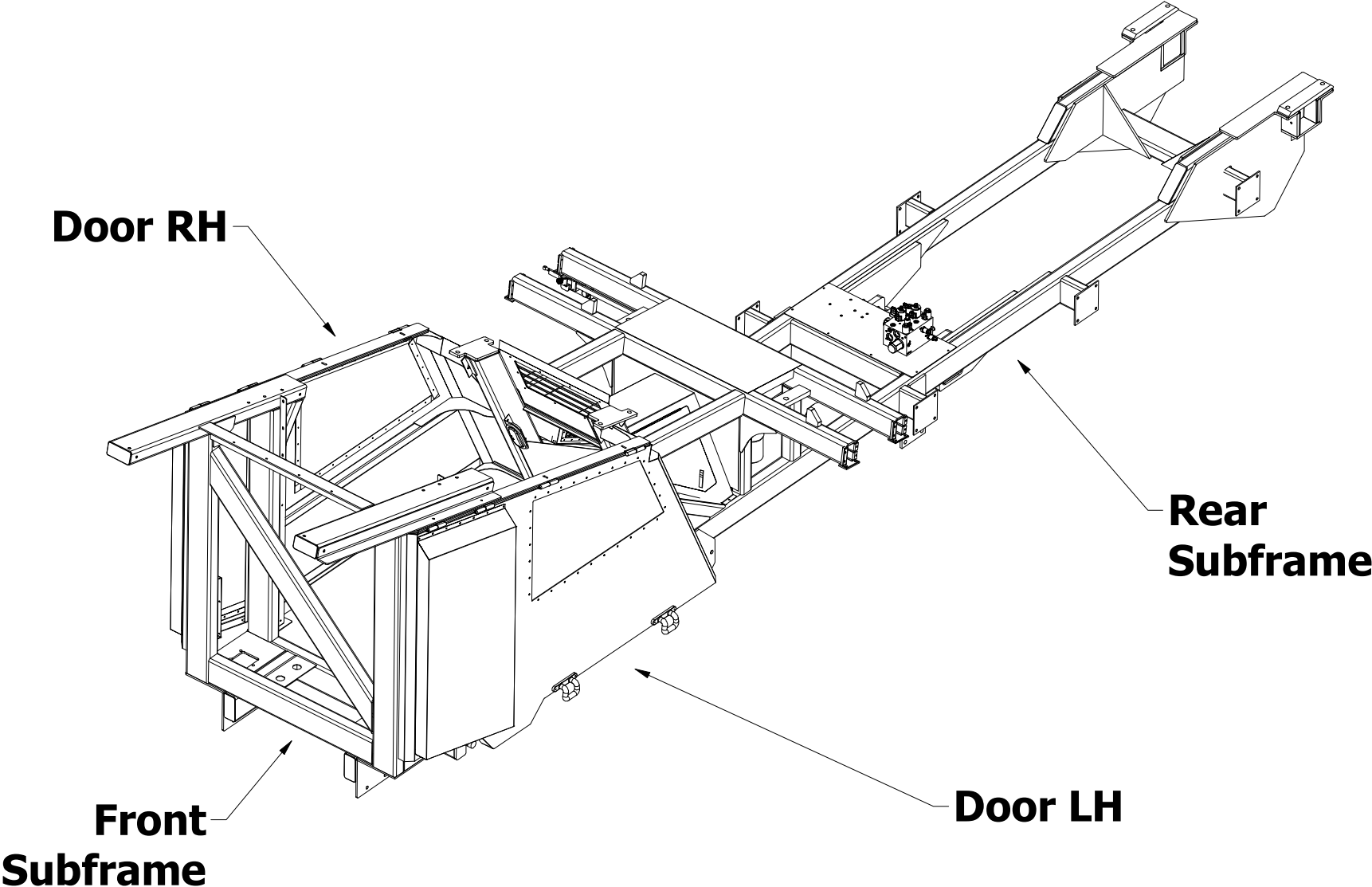


# Stinger 8500 Stacker

[Back](#)

[Home](#)

## Subframe & Doors

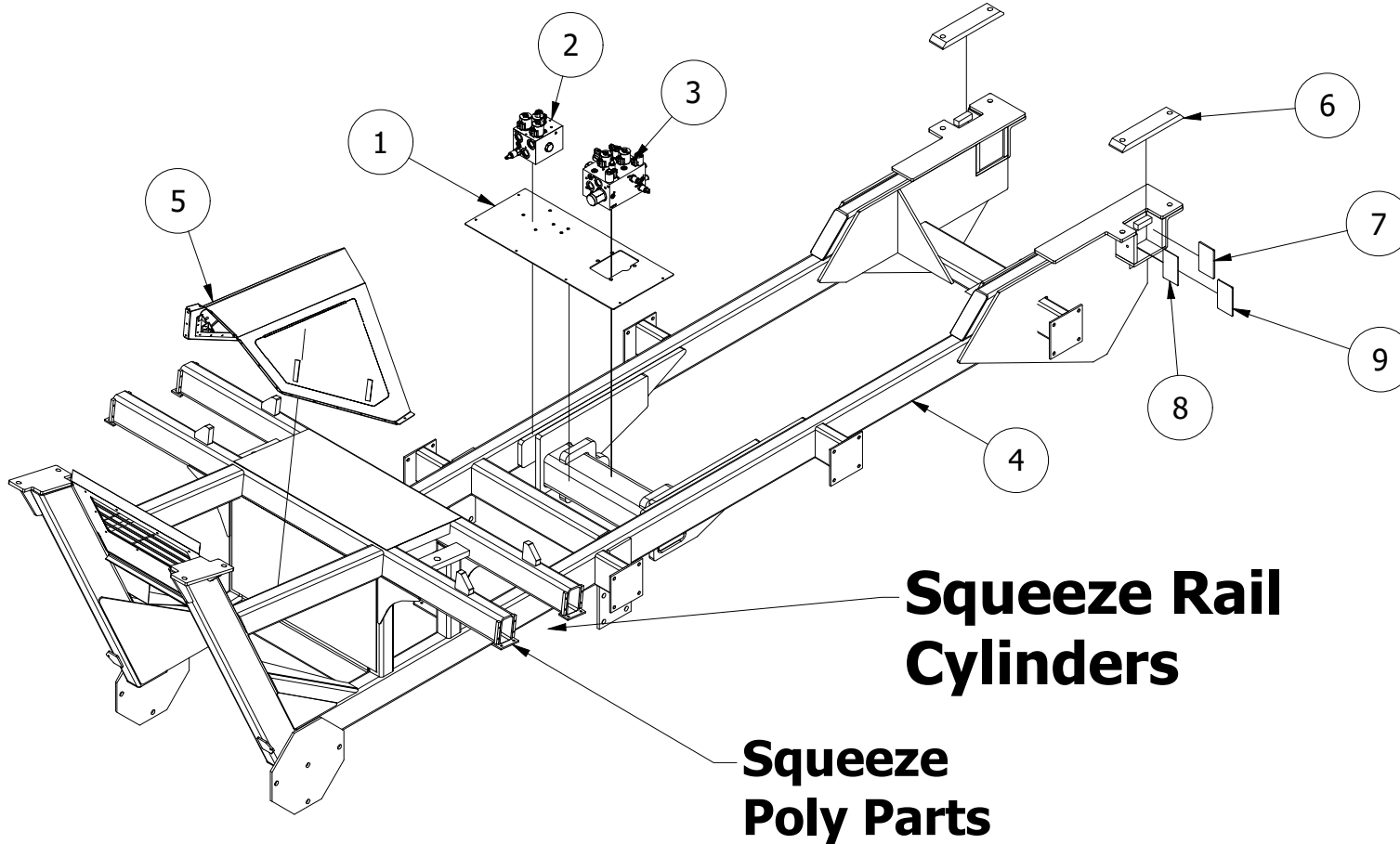


# Stinger 8500 Stacker

[Back](#)

[Home](#)

## Rear Subframe Assy



**Squeeze  
Arms**

**Squeeze Rail  
Cylinders**

**Squeeze  
Poly Parts**

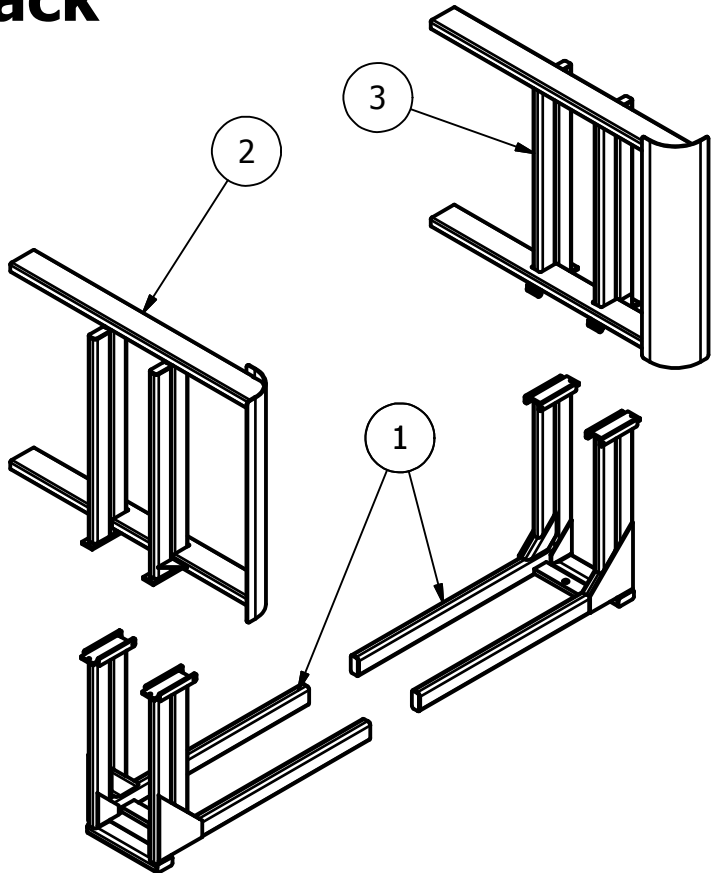
PARTS LIST				PARTS LIST			
ITEM	QTY	PART NUMBER	DESCRIPTION	ITEM	QTY	PART NUMBER	DESCRIPTION
1	1	8570-239	Valve Mount Plate	5	1	8570A96	DOG HOUSE W/DOORS
2	1	1490-6979	Hoist Control Valve	6	2	8560A52	Stackframe Pivot Holddown Weldment
3	1	1490-5870	Main Control Valve #2	7	2	8570-275	Rear Subframe Pivot Shim .25
4	1	8570A2	8500 Subframe (Stinger Chassis)	8	2	8570-285	Rear Subframe Pivot Shim .12
				9	2	8570-286	Rear Subframe Pivot Shim .19

---

# Squeeze Arm Assemblies

**Back**

**Home**



PARTS LIST			
ITEM	QTY	PART NUMBER	DESCRIPTION
1	2	8570A34	8500 Hingable Lower Squeeze Arm
2	1	8570A35	RH Upper Hingable Squeeze Arm
3	1	8570A36	LH Upper Hingable Squeeze Arm

**Squeeze  
Poly Parts**

---

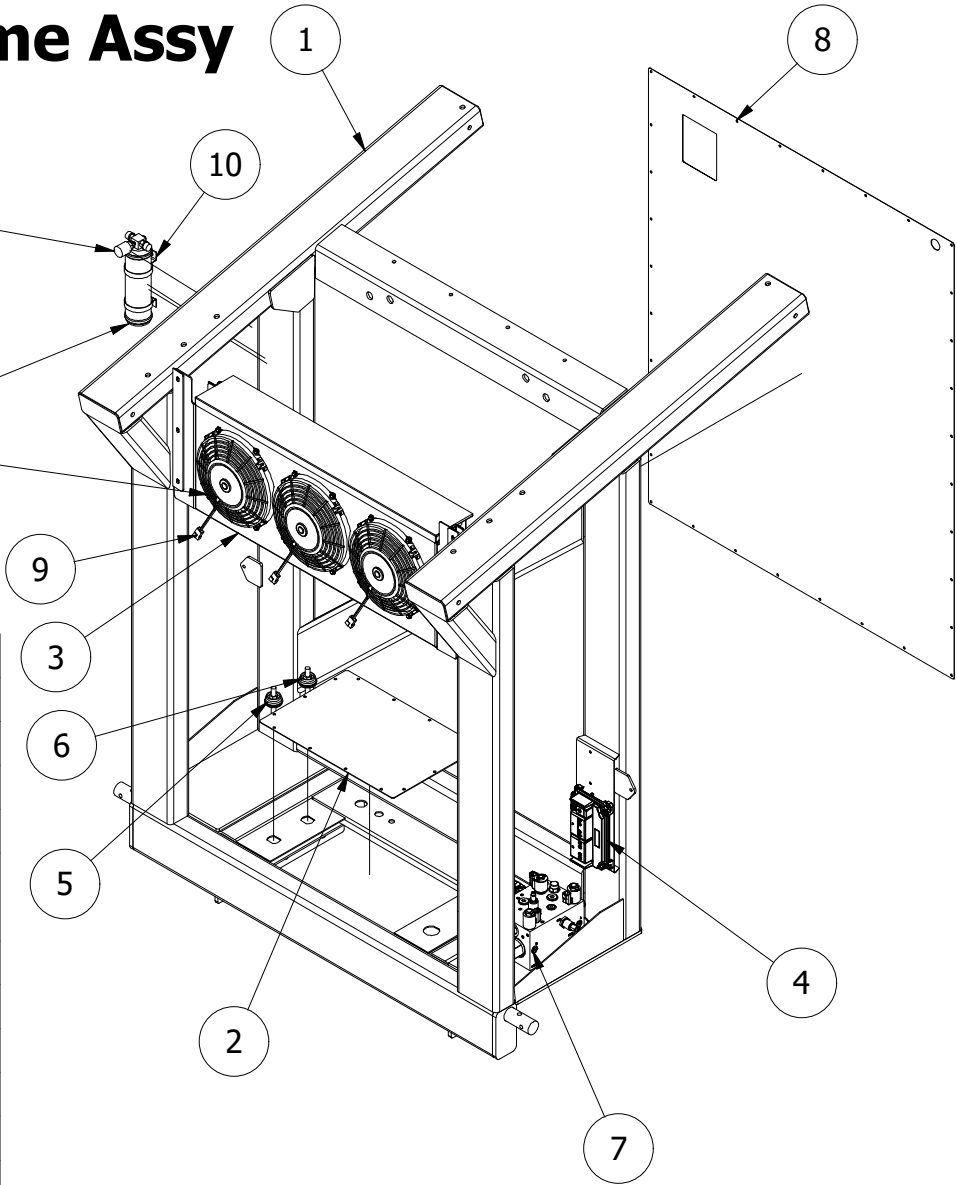
# Stinger 8500 Stacker

[Back](#)

[Home](#)

## Front Subframe Assy

**A/C Parts**



### PARTS LIST

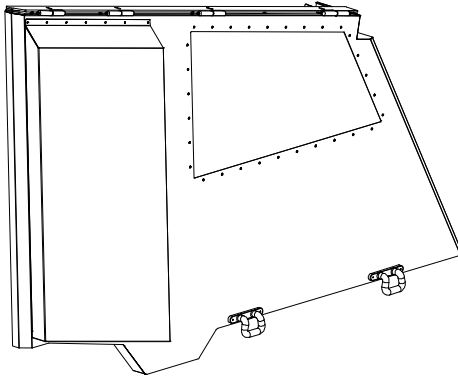
ITEM	QTY	PART NUMBER	DESCRIPTION
1	1	8570A85	8500 Front Subframe 21'
2	1	8570-557	Pump Access Cover Plate
3	1	8570A91	AC Condenser Fan Shroud
4	1	1490-6907	SolidWorks IGES file using analytic representation for surfaces
5	1	1490-7854	500A Power Bulkhead Red 1/4"
6	1	1490-7855	500A Power Bulkhead Black 1/4"
7	1	1490-5870	Main Control Valve
8	1	8570-140	Forward Subframe Front Screen
9	1	1490-7805	Triple fan Red Dot Condenser 2021 8500
10	1	1490-7857	8500 receiver dryer bracket
11	1	1490-7772	AC Drier,for RD fan Condenser
12	1	1490-4206	Binary Switch Male Threads

# Stinger 8500 Stacker

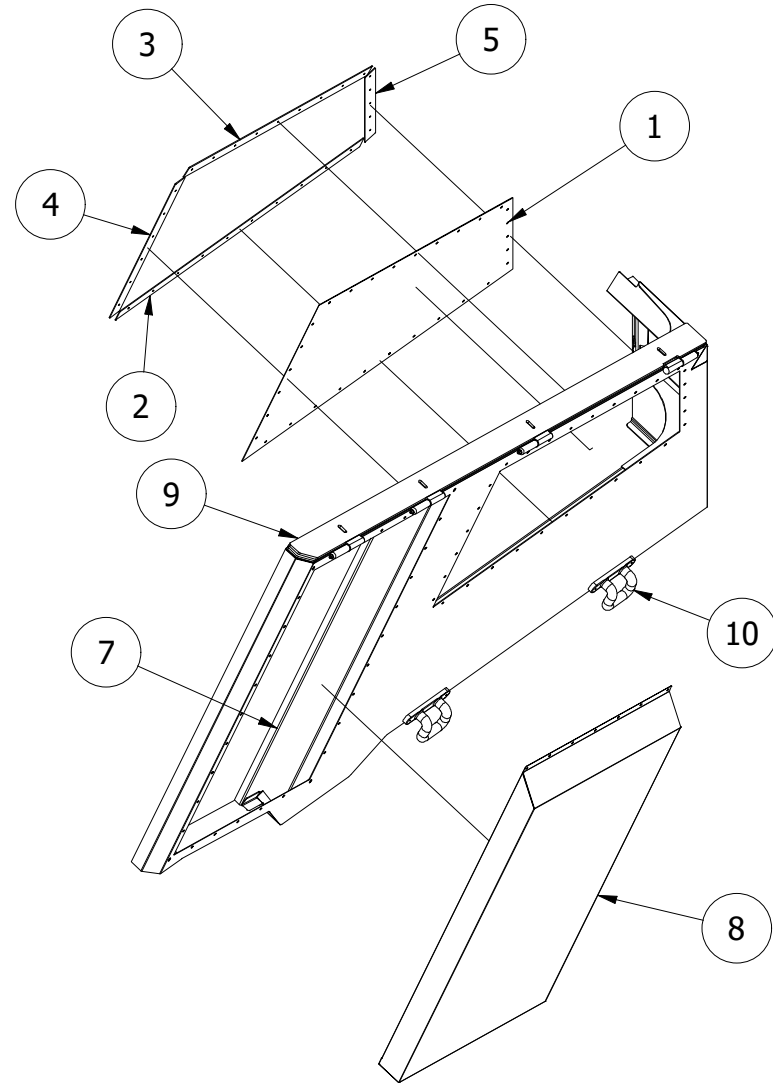
[Back](#)

[Home](#)

## Door Assy LH



1490-7051 200# Front Shock on engine door.  
1490-1149 110# Back Shock on engine door.

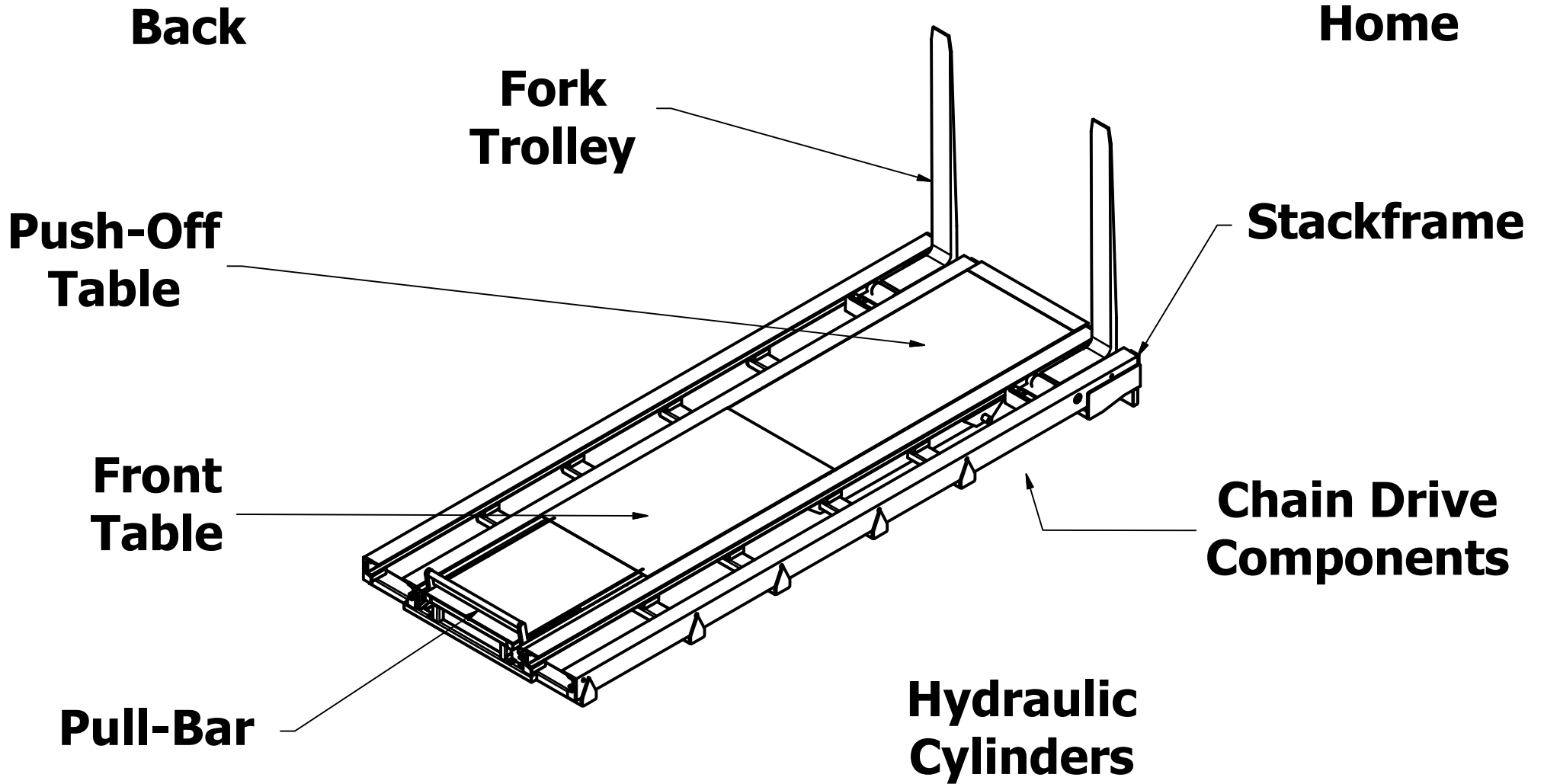


PARTS LIST			
ITEM	QTY	PART NUMBER	DESCRIPTION
1	1	8570-136	8500 Rear Door Screen
2	1	8570-183	8500 Door Screen 10-Hole Strap
3	1	8570-184	8500 Door Screen 9-Hole Strap
4	1	8570-185	8500 Door Screen 6-Hole Strap
5	1	8570-186	8500 Door Screen 5-Hole Strap
6	1	8570A87	8500 LH Door Assembly 2021
7	1	8570-543	LH Door Air Baffle 8500
8	1	8570-544	8500 Front Door Screen LH
9	1	8570A93	Engine Door Hinge LH
10	2	1490-4243	Molded Grab Handle



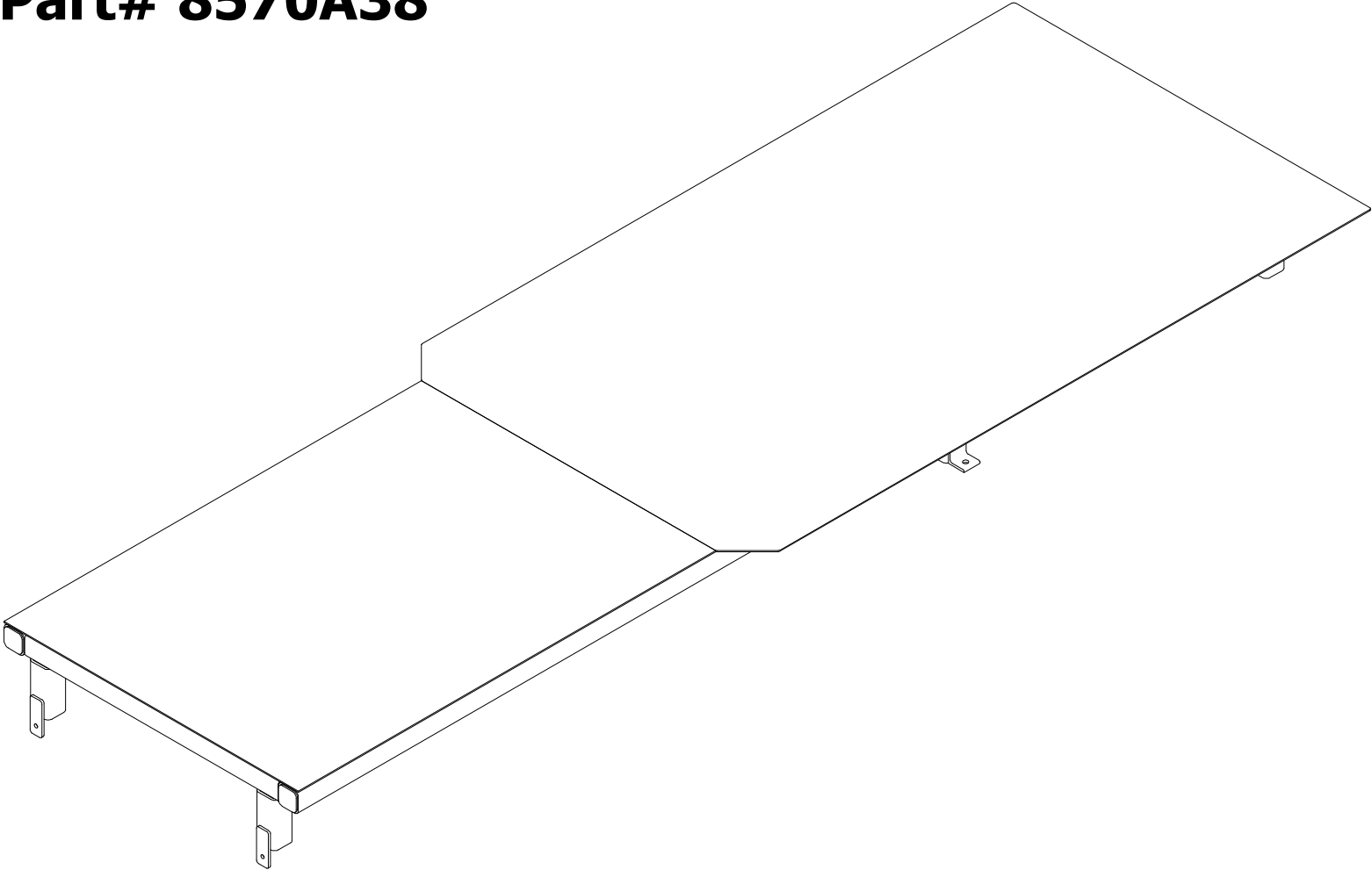
---

# 8500 Stackframe Assy



**8500 Front Fill  
Table Detail**

**Part# 8570A38**



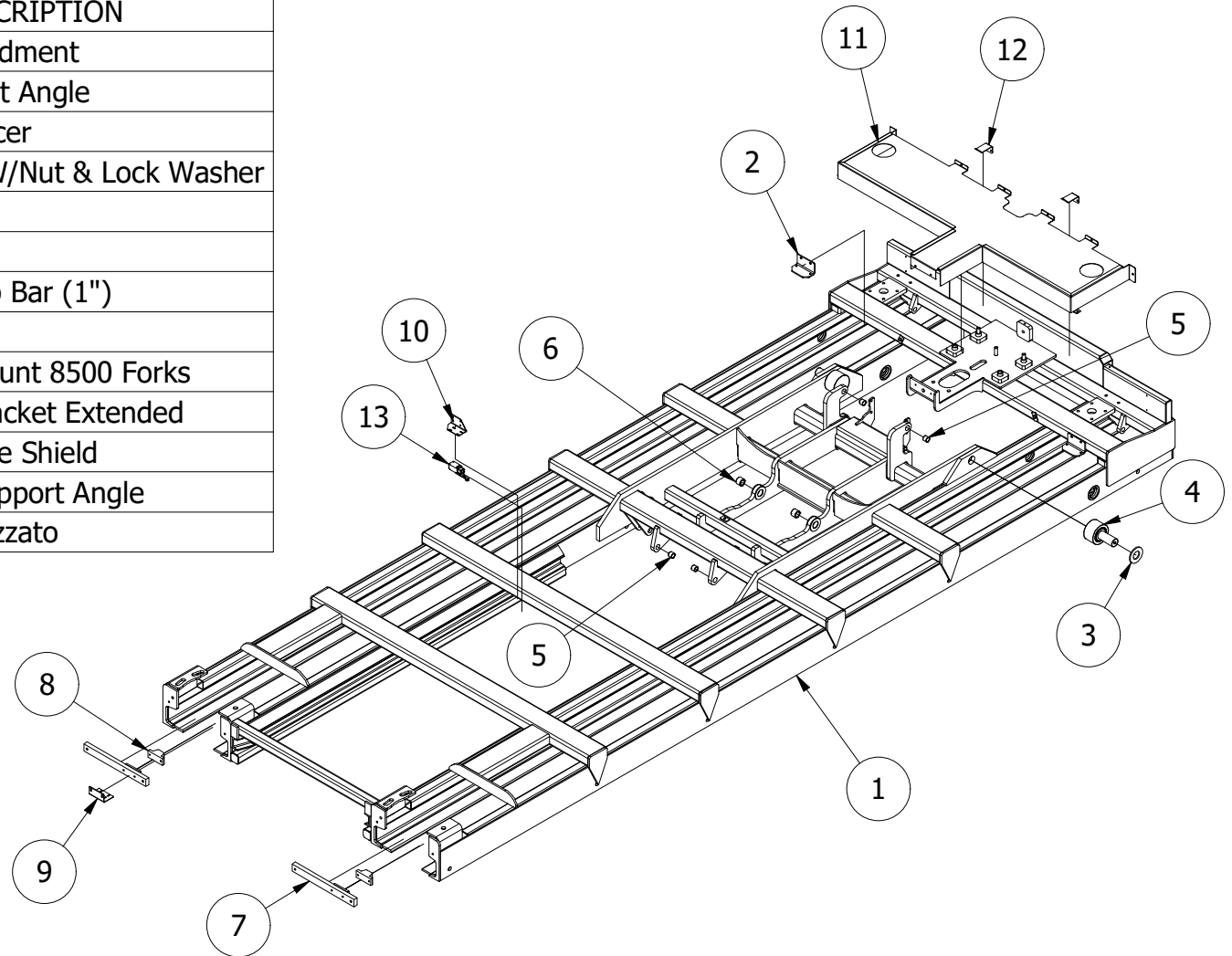
# Stinger 8500 Stacker

[Back](#)

[Home](#)

## Stackframe Assy 2

PARTS LIST			
ITEM	QTY	PART NUMBER	DESCRIPTION
1	1	8570A1A	Stackframe Weldment
2	2	8560-569	Cylinder Support Angle
3	2	1490-6969	Cam Roller Spacer
4	2	1490-6916	5" Cam Roller W/Nut & Lock Washer
5	4	1490-2030	Wear Bushing
6	2	1490-4055	Wear Bushing
7	2	8570A64	Front Bumpstop Bar (1")
8	2	1490-2065	Rubber Stops
9	1	8570-496	Limit Switch Mount 8500 Forks
10	3	8560-575	Limit Switch Bracket Extended
11	1	8570A60	Rear Chain Drive Shield
12	2	8570-454	Chain Shield Support Angle
13	4	1490-7629	Limit Switch, Pizzato



# Stinger 8500 Stacker

[Back](#)

[Home](#)

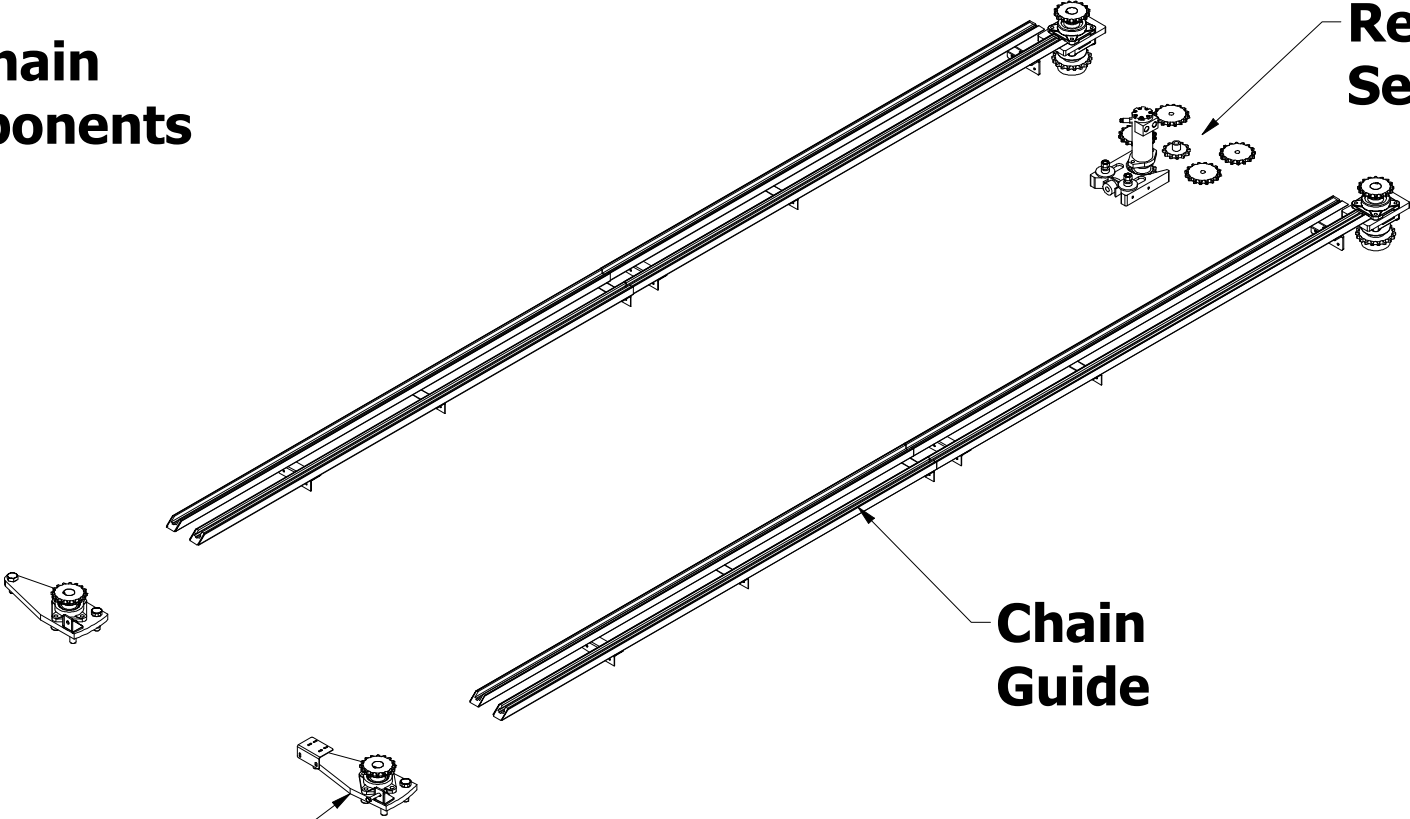
## 8500 Trolley Chain Drive

**Chain Components**

**Rear Drive Section**

**Chain Guide**

**Chain Tensioner**

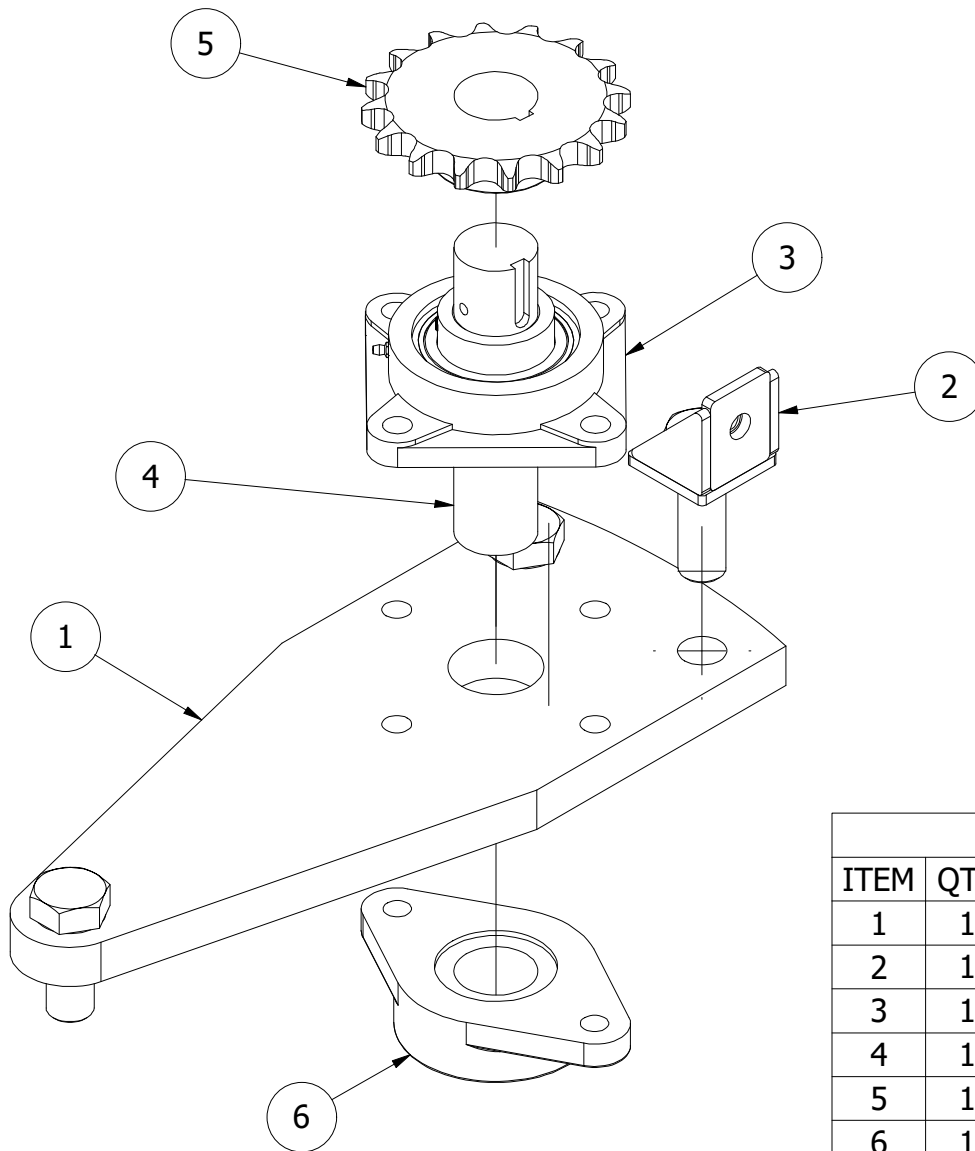


# Stinger 8500 Stacker

[Back](#)

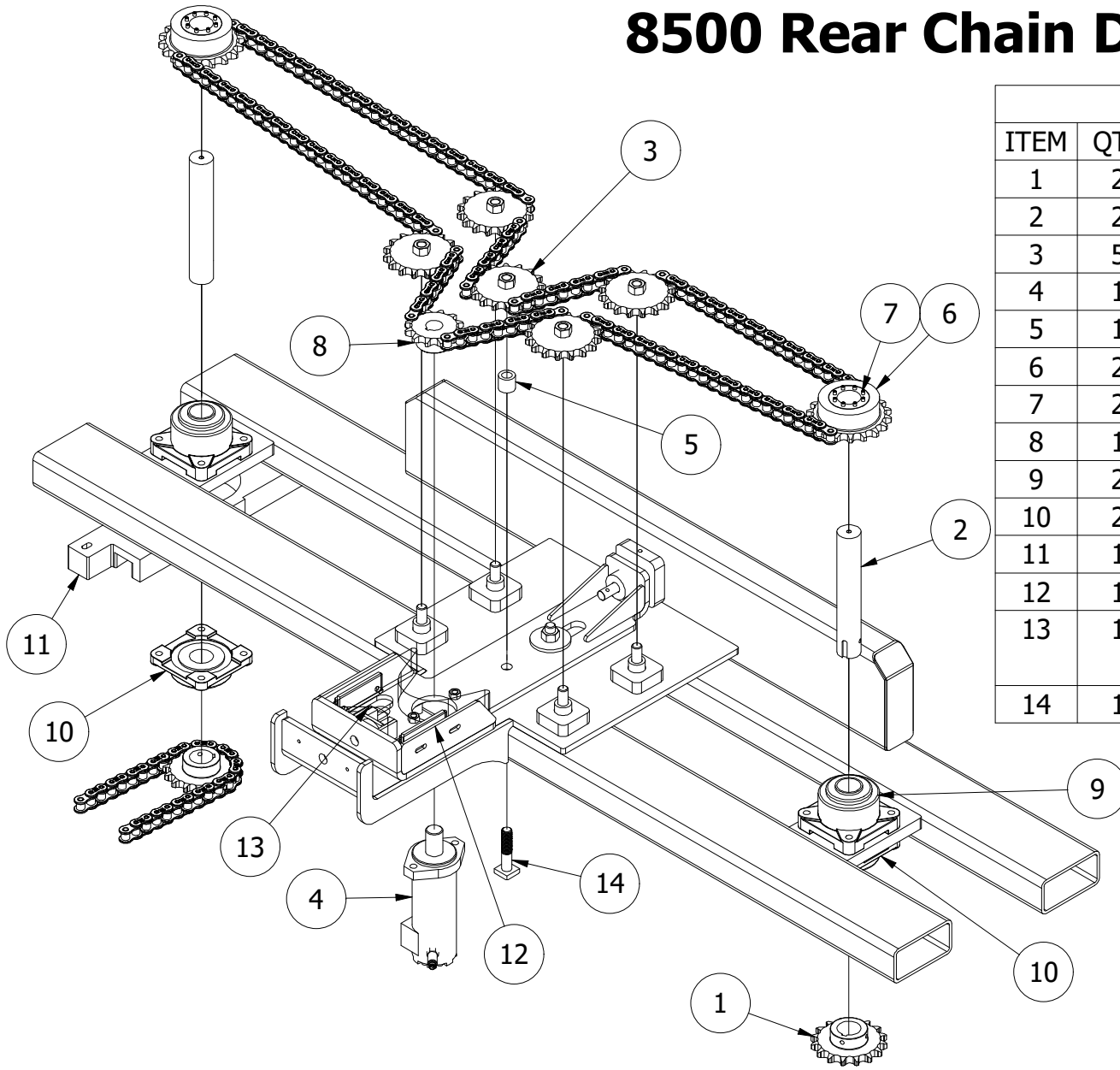
[Home](#)

## 8500 Chain Tensioner



PARTS LIST			
ITEM	QTY	PART NUMBER	DESCRIPTION
1	1	8570A56	Front chain Tensioner Weldment
2	1	8570A57	Chain Tensioner Adj. Lug
3	1	1490-7668	starvars output
4	1	8570-319	Front Chain Tensioner Shaft
5	1	1490-6775	1-3/4 16T Driven Sprocket
6	1	1490-6778	UCFL209 28 Flange Bearing

# 8500 Rear Chain Drive



PARTS LIST			
ITEM	QTY	PART NUMBER	DESCRIPTION
1	2	1490-6775	1-3/4 16T Driven Sprocket
2	2	8570-363	Rear Drive Chain Shaft
3	5	1490-7144	3/4 ID 16T Idler Sprocket
4	1	1490-6988	24ci HYD MOTOR
5	1	8570-373	Sprocket Pivot Tube (Short)
6	2	1490-7143	SP80B-Sprocket 80B
7	2	1490-7145	B-LOCK B112x1-3/4
8	1	1490-7146	SP80B_base-Sprocket 80B
9	2	1490-7246	1-3/4 4-BOLT TYP E BEARING
10	2	1490-7245	1-3/4 4-BOLT MED BEARING
11	1	8570-441	Poly Chain Guide
12	1	8570A79	Drive Chain Tentioner
13	1	8570-463	Chain Drive Motor Sprocket Poly Guide
14	1	1490-7460	T-BOLT 3/4x3-1/2

## Drive Chain Components

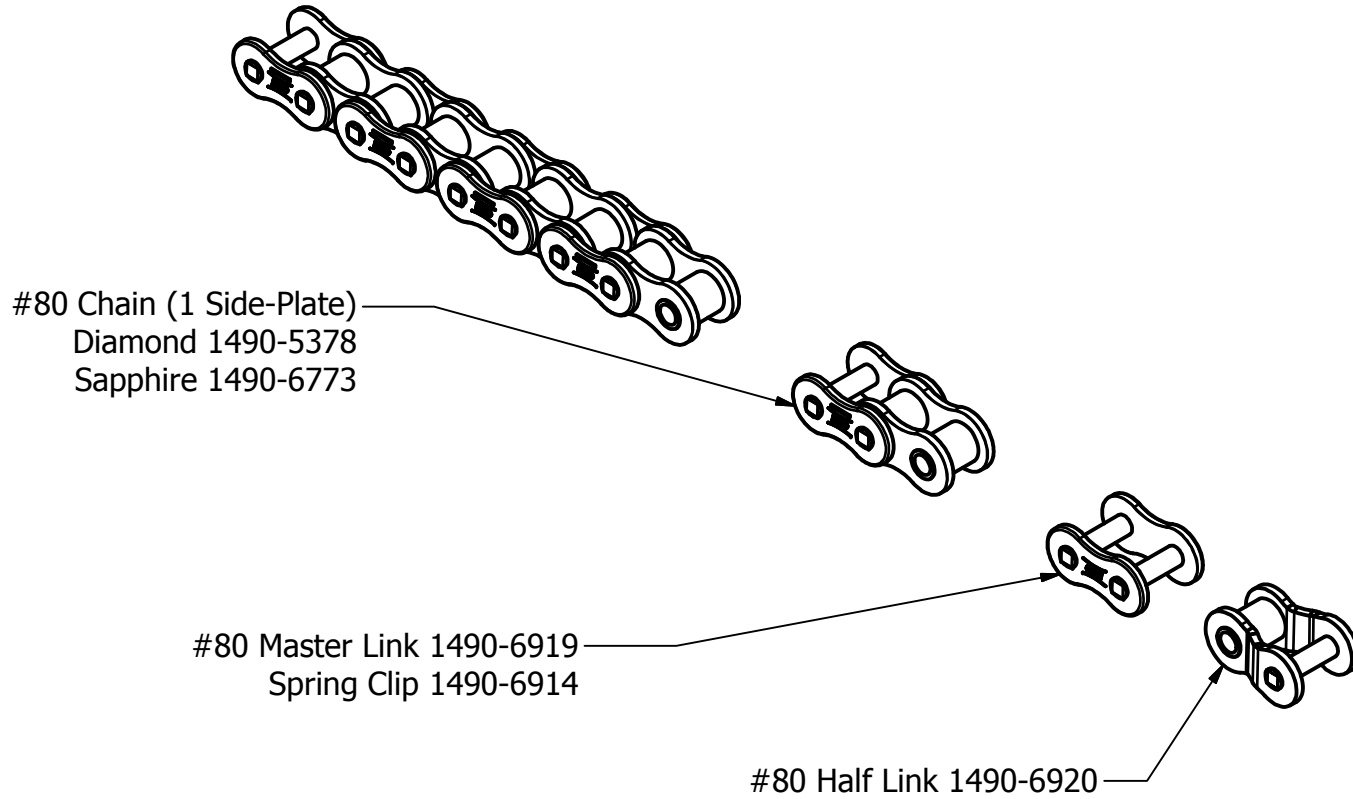
---

# Drive Chain Components

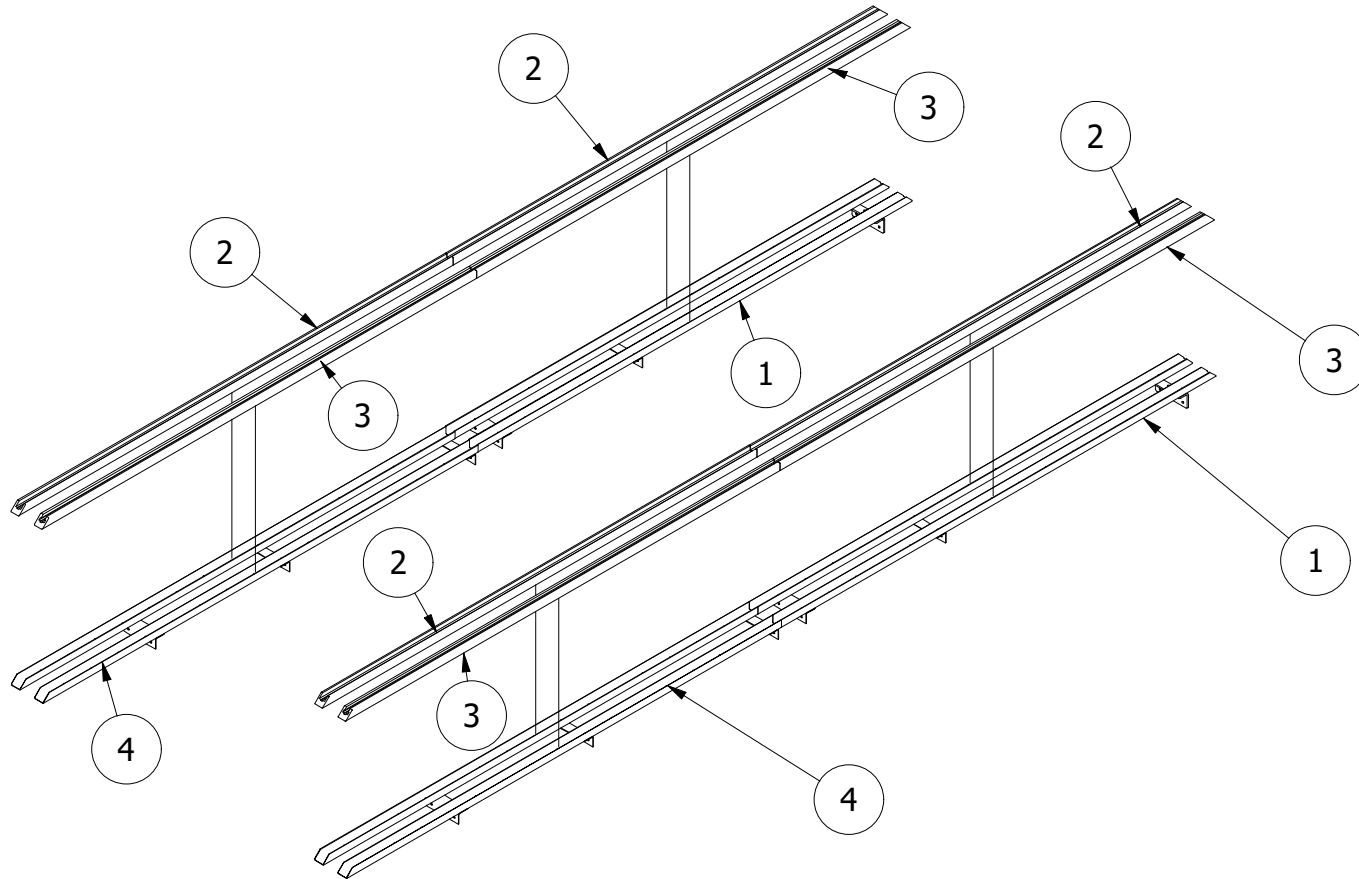
[Back](#)

The Drive Chain is 89 Side plates (180")  
With 1 Master link and 2 Half links

[Home](#)



## 8500 Chain Guide Detail



PARTS LIST			
ITEM	QTY	PART NUMBER	DESCRIPTION
1	2	8570A10	Chain Guide Track Weldment Rear
2	4	1490-6925	#80 Open Chain Track
3	4	1490-6926	#80 Closed Chain Track
4	2	8570A84	Chain Guide Track Weldment Front



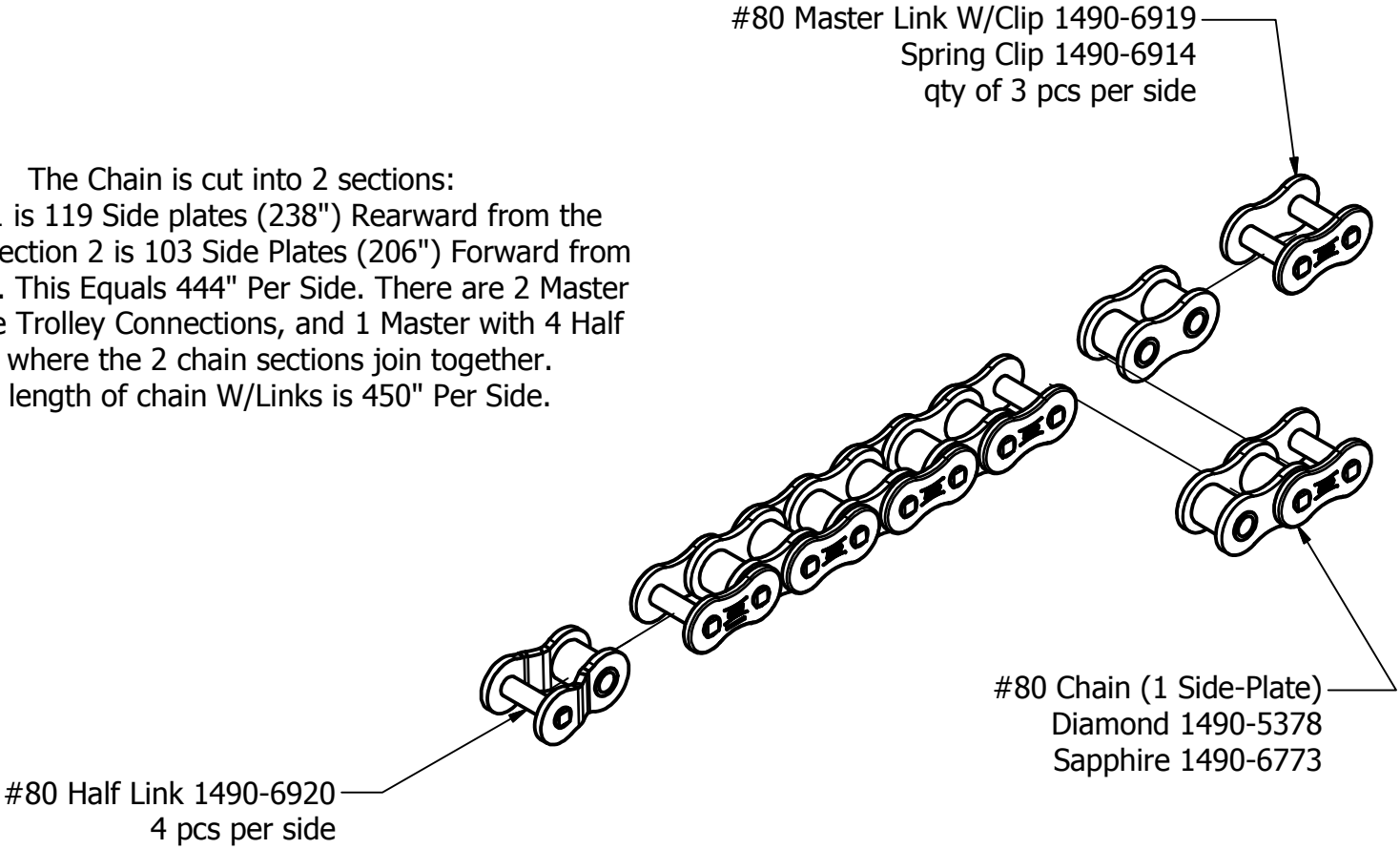
---

# Trolley Chain Components

**Back**

**Home**

The Chain is cut into 2 sections:  
Section 1 is 119 Side plates (238") Rearward from the Trolley & Section 2 is 103 Side Plates (206") Forward from the Trolley. This Equals 444" Per Side. There are 2 Master links at the Trolley Connections, and 1 Master with 4 Half Links where the 2 chain sections join together.  
Total length of chain w/Links is 450" Per Side.

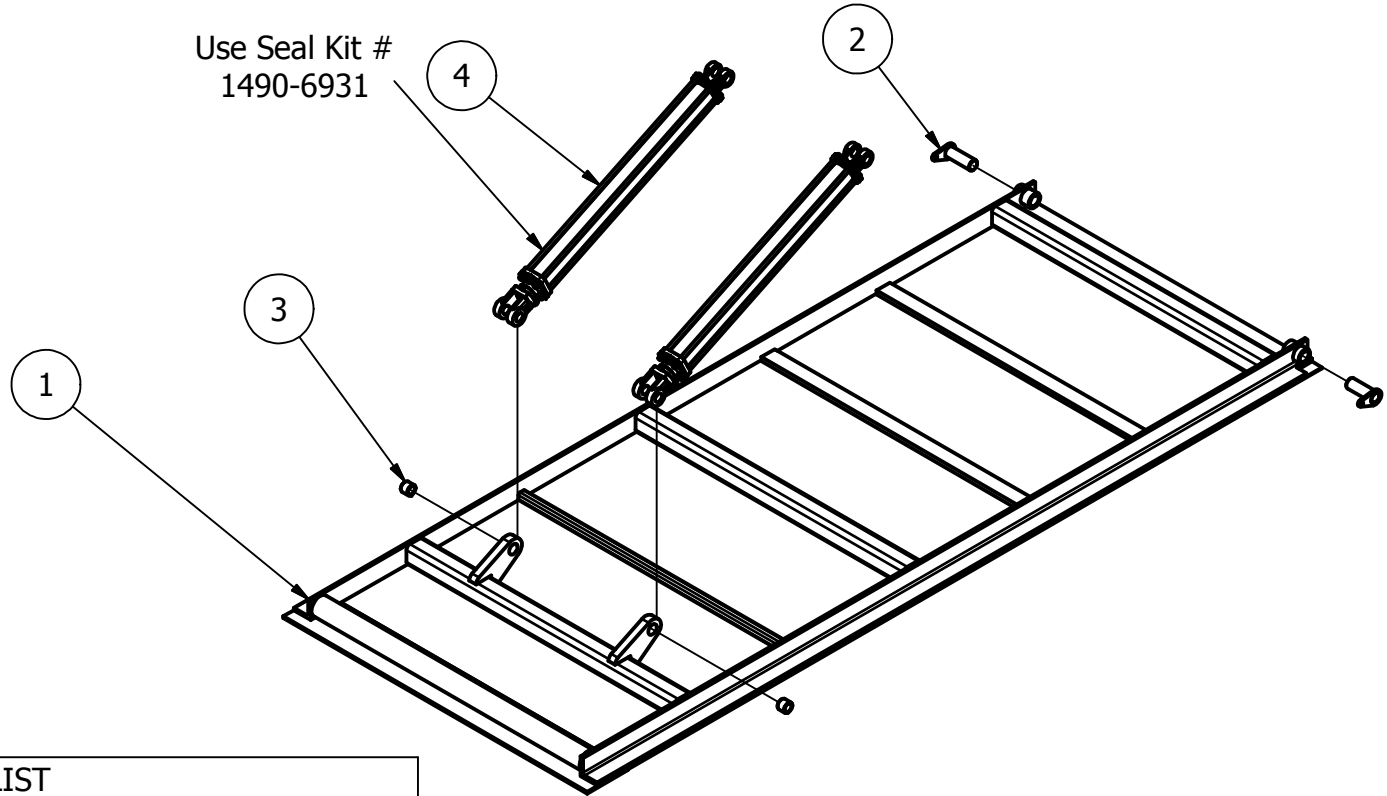


---

# 8500 Push-Off Table Detail

Back

Home



## PARTS LIST

ITEM	QTY	PART NUMBER	DESCRIPTION
1	1	8570A5	Rear Stackframe PushOff Table
2	2	8560A34	Push-Off Table Pivot Pin Weldment
3	2	14902030	Wear Bushing
4	2	1490-6924	2 X 24 X 1-1/8

---

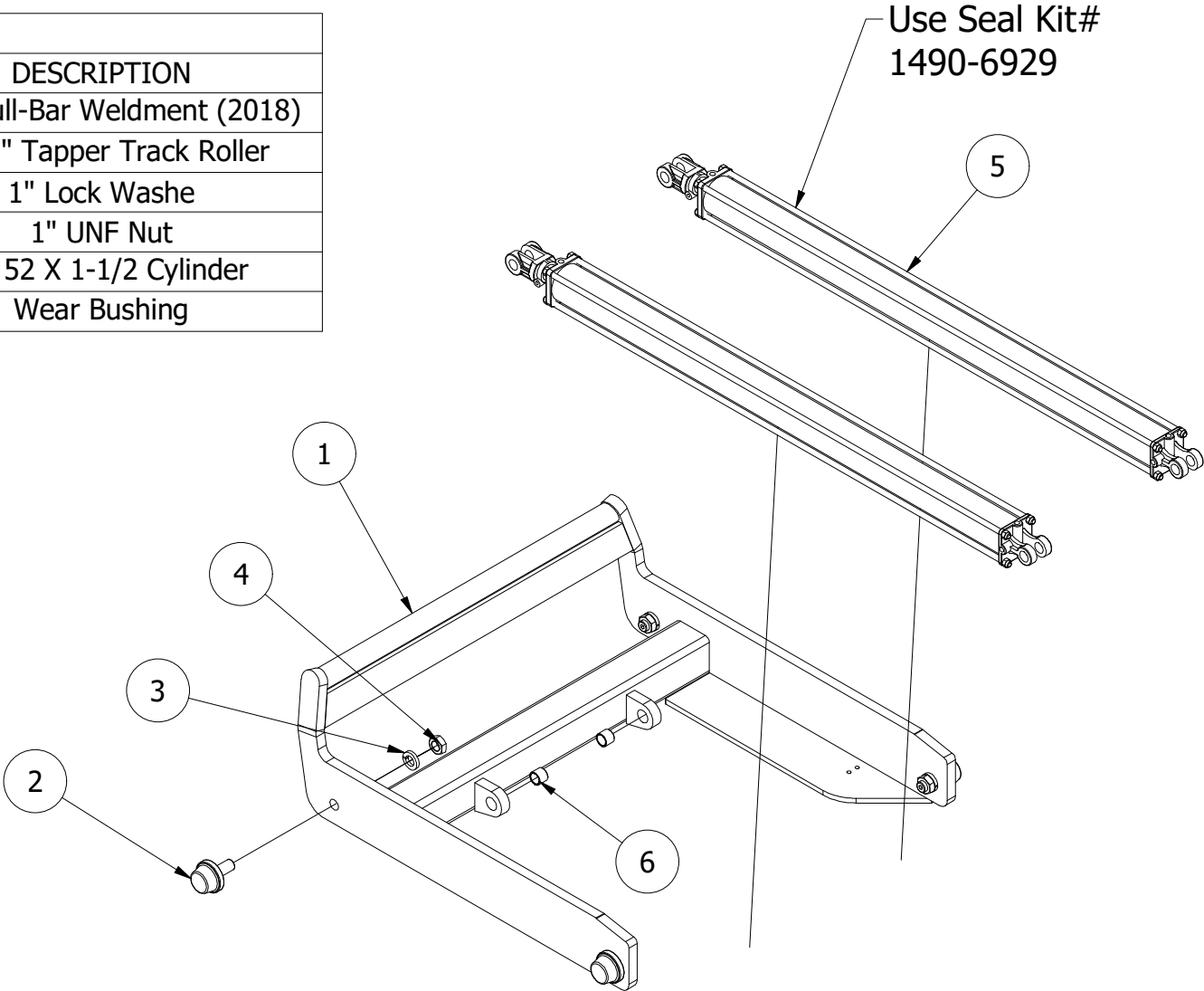
# Stinger 8500 Stacker

[Back](#)

[Home](#)

## 8500 Pull-Bar Detail

PARTS LIST			
ITME	QTY	PART NUMBER	DESCRIPTION
1	1	8570A14	8500 Pull-Bar Weldment (2018)
2	4	1490-6992	PCI 3" Tapper Track Roller
3	4	Lock Washer	1" Lock Washe
4	4	Nut	1" UNF Nut
5	2	1490-6922	3 X 52 X 1-1/2 Cylinder
6	2	1490-2030	Wear Bushing



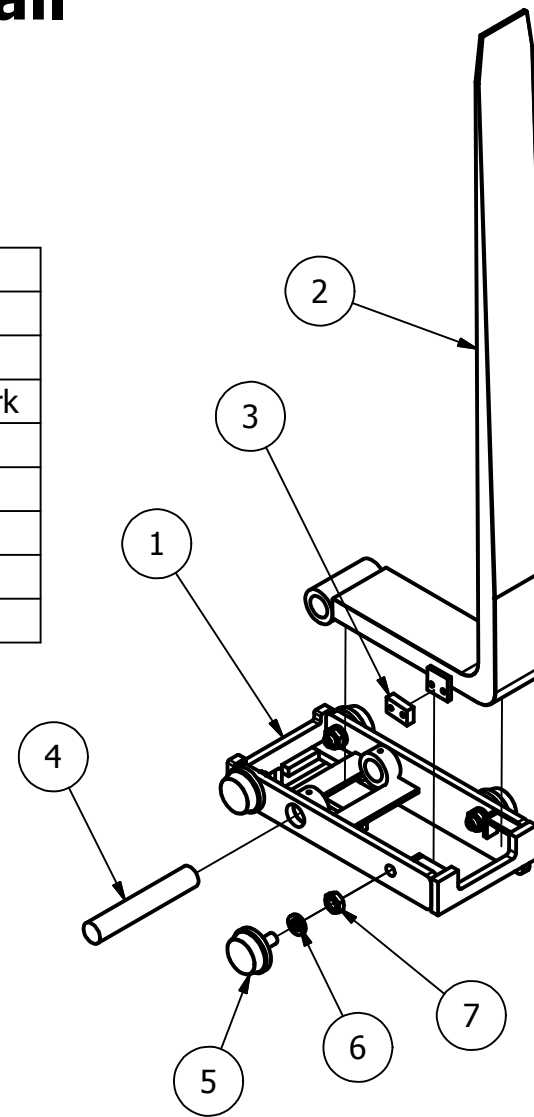
---

# 8500 Fork Trolley Detail

**Back**

**Home**

PARTS LIST			
ITEM	QTY	PART NUMBER	DESCRIPTION
1	1	8570A12	Trolley Weldment
2	1	1490-6936	2.5" x 8" x 82" Full Tapered & Polished Fork
3	2	8560-126	Fork Stop
4	1	8560-123	Fork Connecting Pin
5	4	1490-6989	PCI 5" Tapered Track Roller
6	4	Lock Washer	1-1/4" Lock Washer
7	4	Hex Nut	1-1/4" Nex Nut

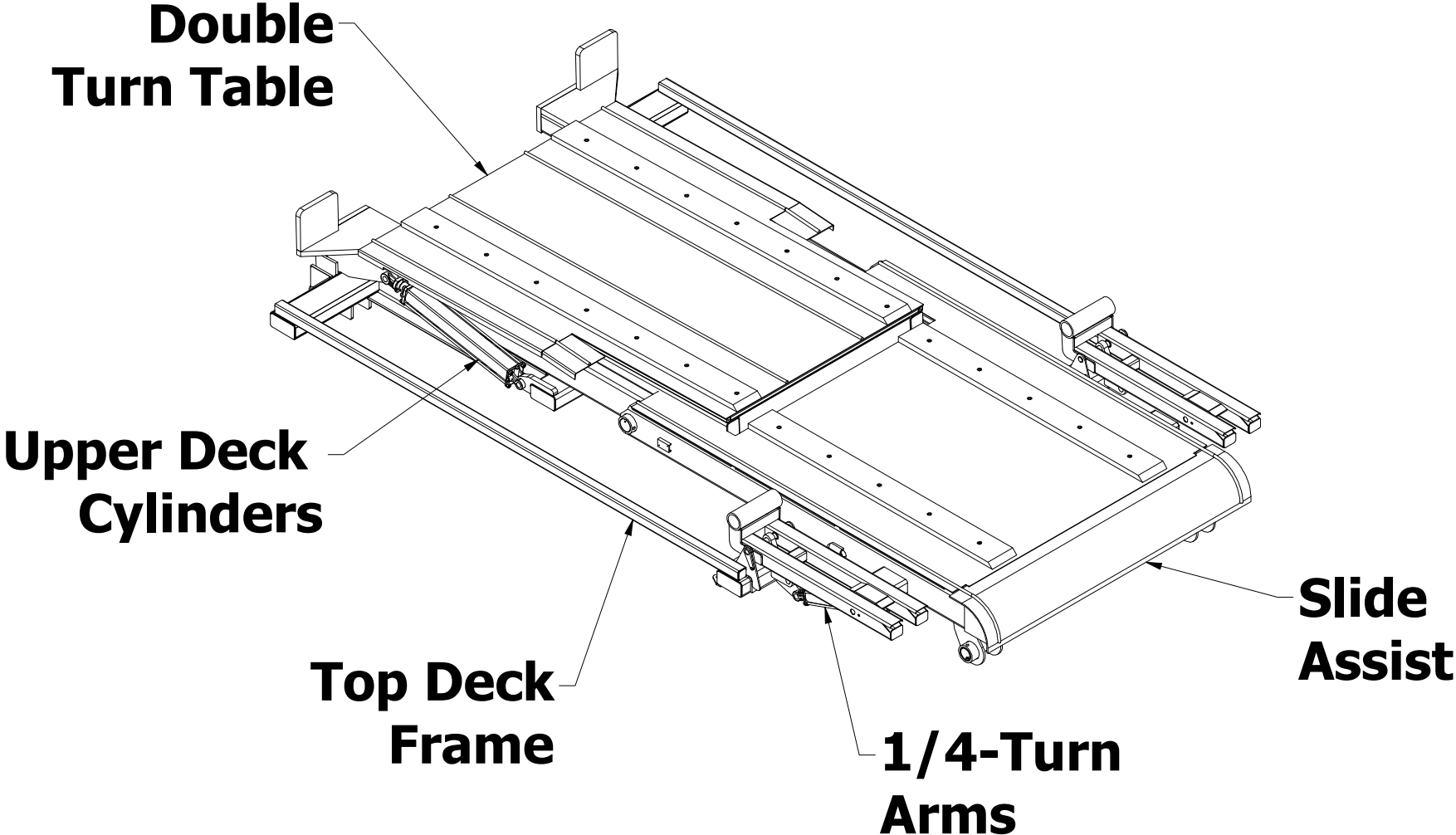


# Stinger 8500 Stacker

[Back](#)

[Home](#)

## 8500 Upper Deck Assy

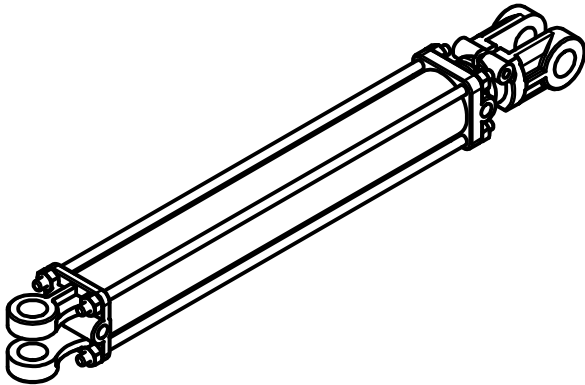


---

## Upper Deck Cylinders

**Back**

**Home**

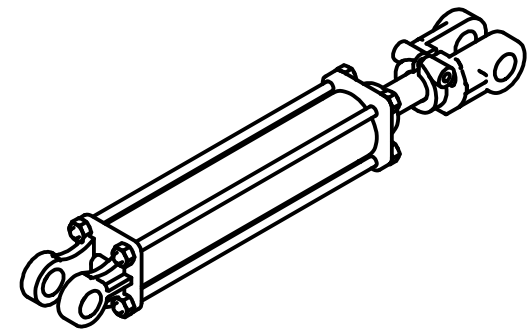


**Double Turn Cylinders**

**3 X 22 X 1-1/2**

**1490-6908**

(Seal Kit #1490-6929)



**Slide Assist/1/4-Turn**

**2 X 8 X 1-1/8**

**1490-5146 & 1490-5145**

(Ported Opposite each other  
Both use Seal Kit 1490-4627)

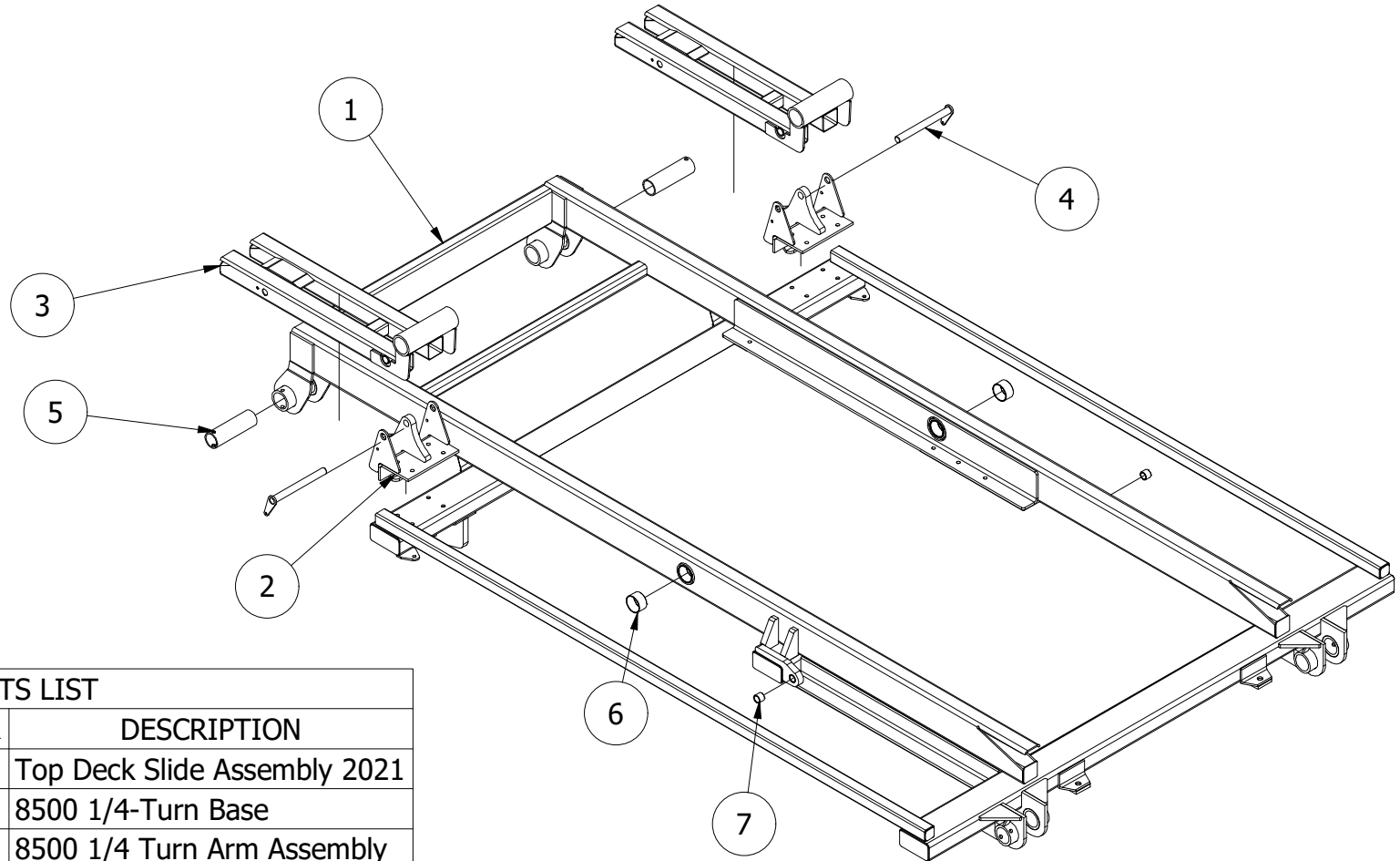
---

# Stinger 8500 Stacker

[Back](#)

[Home](#)

## 8500 Top Deck Assy



### PARTS LIST

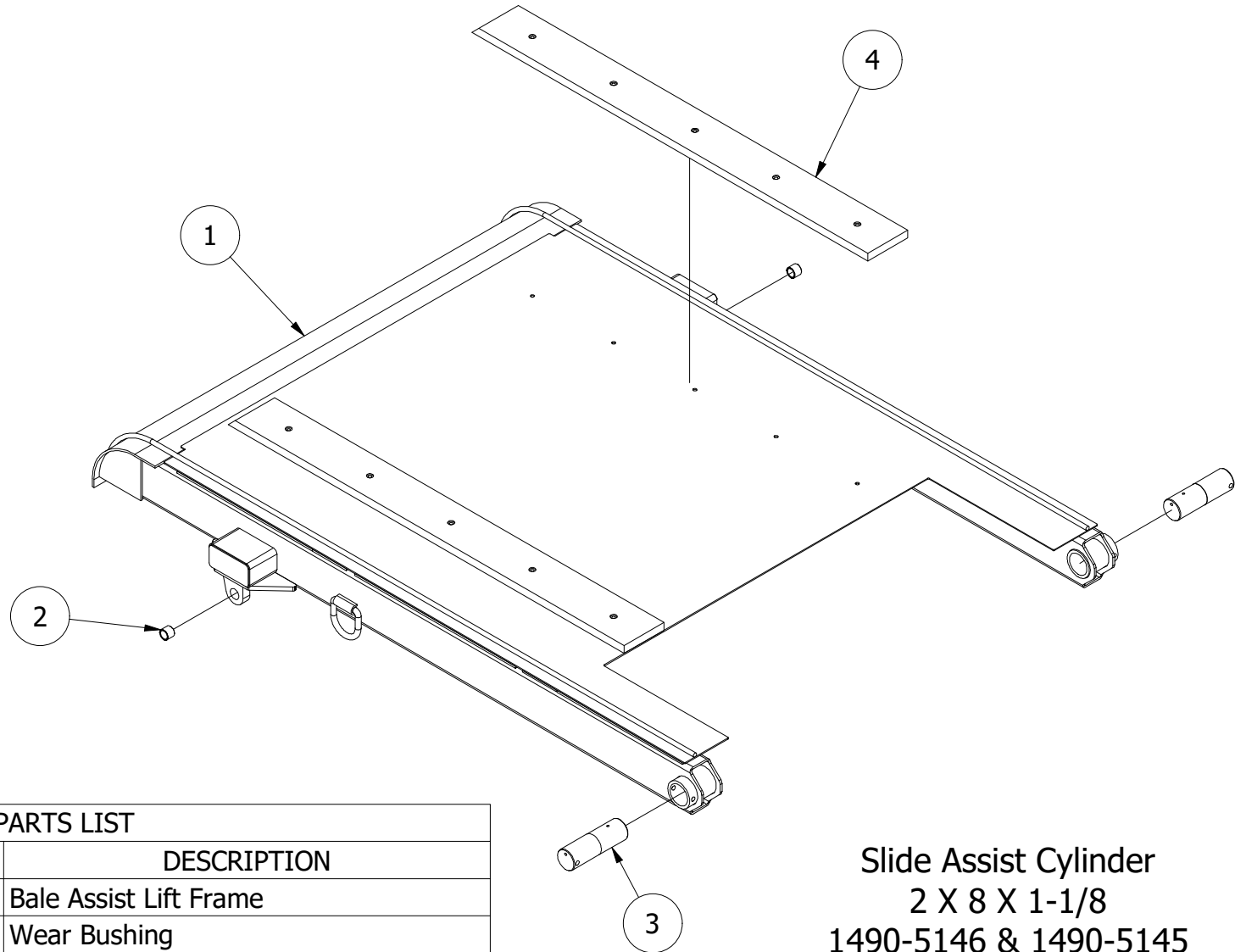
ITEM	QTY	PART NUMBER	DESCRIPTION
1	1	8570A86	Top Deck Slide Assembly 2021
2	2	8560A83	8500 1/4-Turn Base
3	2	8560A82	8500 1/4 Turn Arm Assembly
4	2	8560A85	8500 1/4-Turn Pivot Pin
5	2	5540-118	Lift Frame Upper Pivot Shaft
6	4	1490-4716	Wear Bushing
7	2	1490-2030	Wear Bushing

# Stinger 8500 Stacker

[Back](#)

[Home](#)

## 8500 Slide Assist Assy



PARTS LIST			
ITEM	QTY	PART NUMBER	DESCRIPTION
1	1	8570A51	Bale Assist Lift Frame
2	2	1490-2030	Wear Bushing
3	2	8570-511	Slide Assist Pivot Shaft
4	1	1490-7155	8500 Poly Slide Rail (6" Bale Assist)

Slide Assist Cylinder  
2 X 8 X 1-1/8  
1490-5146 & 1490-5145  
(Ported Opposite each other for LH/RH)  
Both use Seal Kit 1490-4627

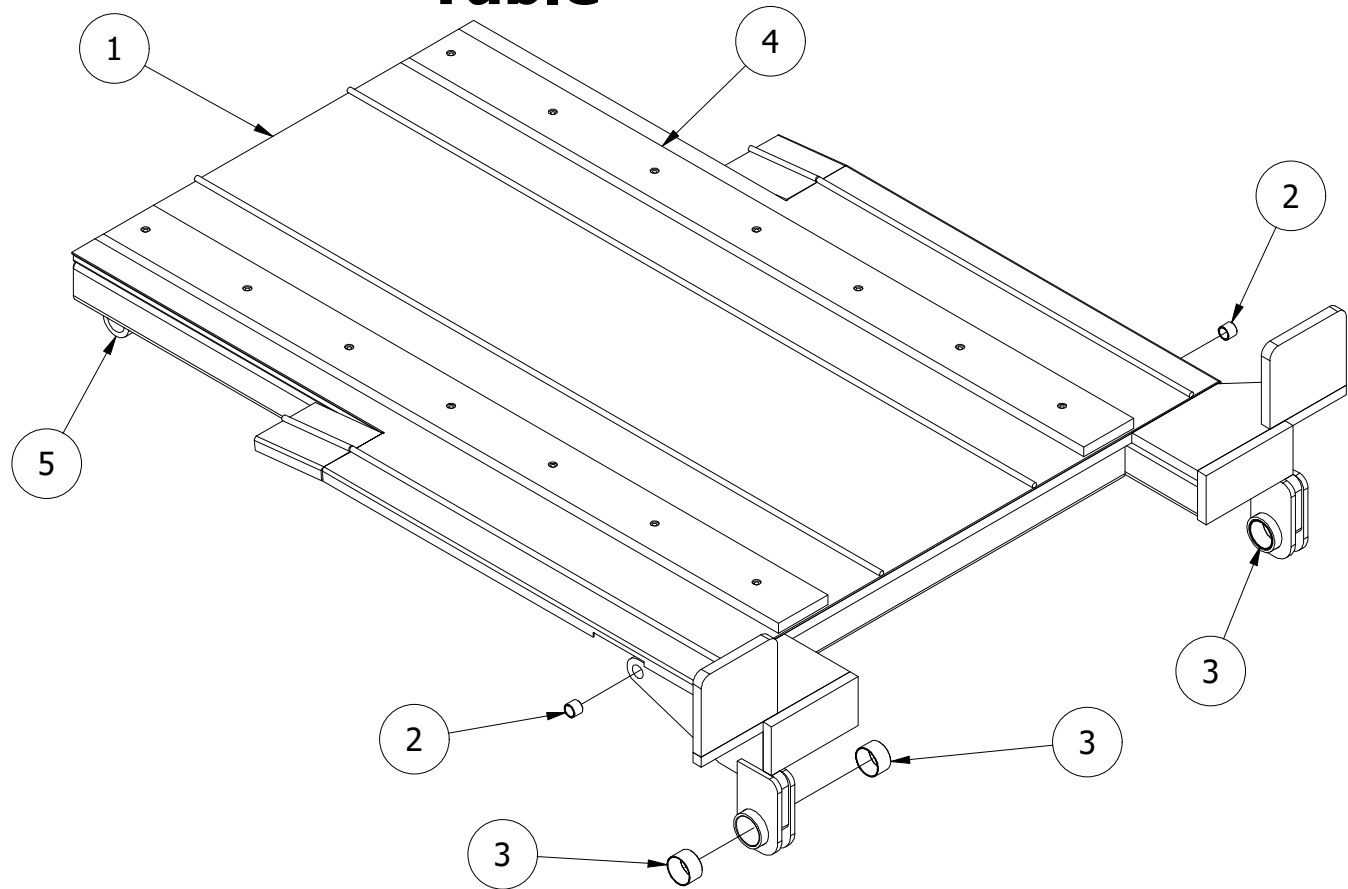


# Stinger 8500 Stacker

[Back](#)

[Home](#)

## 8500 Double Turn Table



### PARTS LIST

ITEM	QTY	PART NUMBER	DESCRIPTION
1	1	8570A53	Double-Turn Table Weldment
2	2	1490-2030	Wear Bushing
3	4	1490-4716	Front End Pivot Bushing
4	2	1490-7154	8500 Poly Slide Rail (80.5" X 6" Double Turn)
5	1	1490-7446	4" Round Rubber Bumper

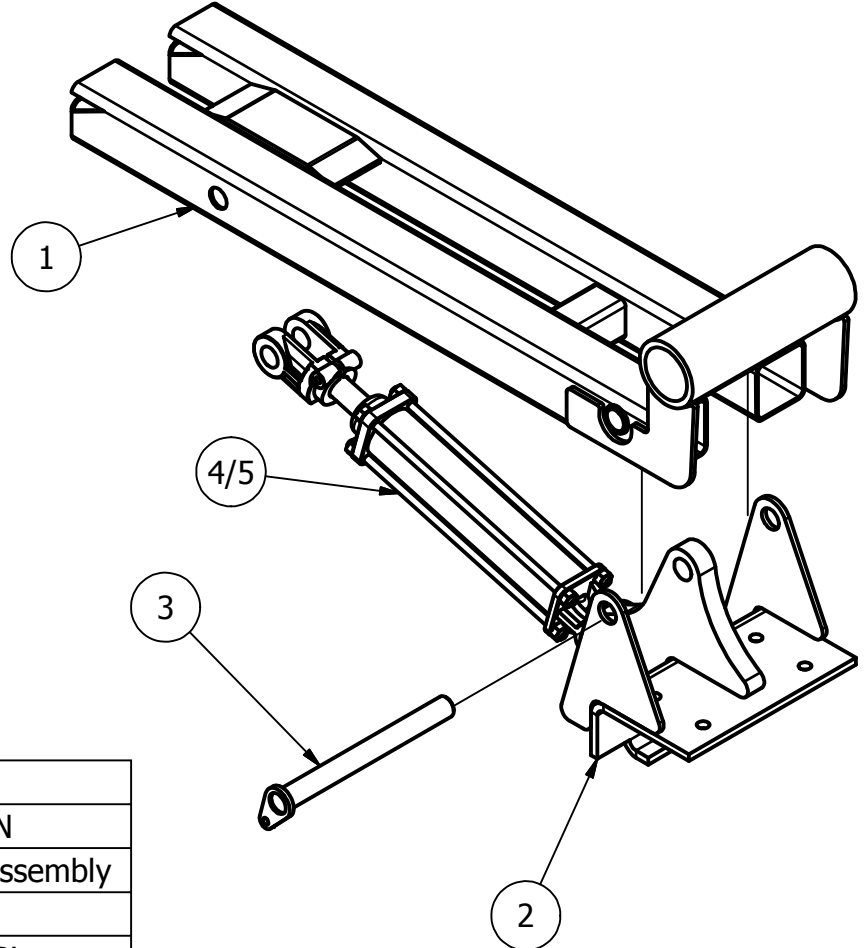
**Hydraulic  
Cylinders**

---

# 8500 1/4-Turn Arm Assy

[Back](#)

[Home](#)



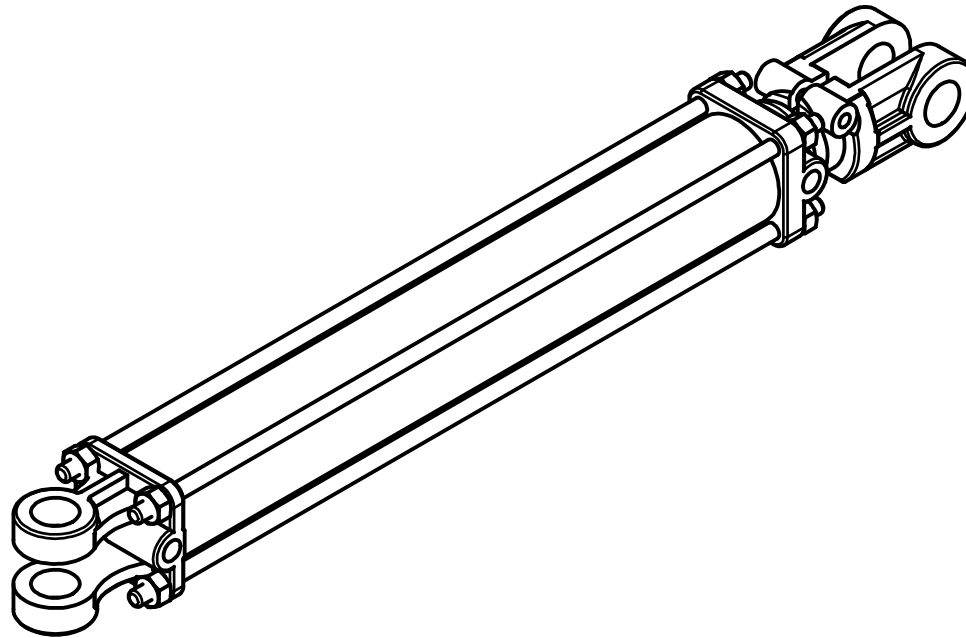
PARTS LIST			
ITEM	QTY	PART NUMBER	DESCRIPTION
1	1	8560A82	8500 1/4 Turn Arm Assembly
2	1	8560A83	8500 1/4-Turn Base
3	1	8560A85	8500 1/4-Turn Pivot Pin
4	1	1490-5145	LH 1/4-Turn Cylinder
5	1	1490-5146	RH 1/4-Turn Cylinder

---

**Double Turn Cylinder  
1490-6908  
(3 X 22 X 1-1/2)**

**Back**

**Home**



**Use Seal Kit # 1490-6929**

---

---

# Squeeze Frontend

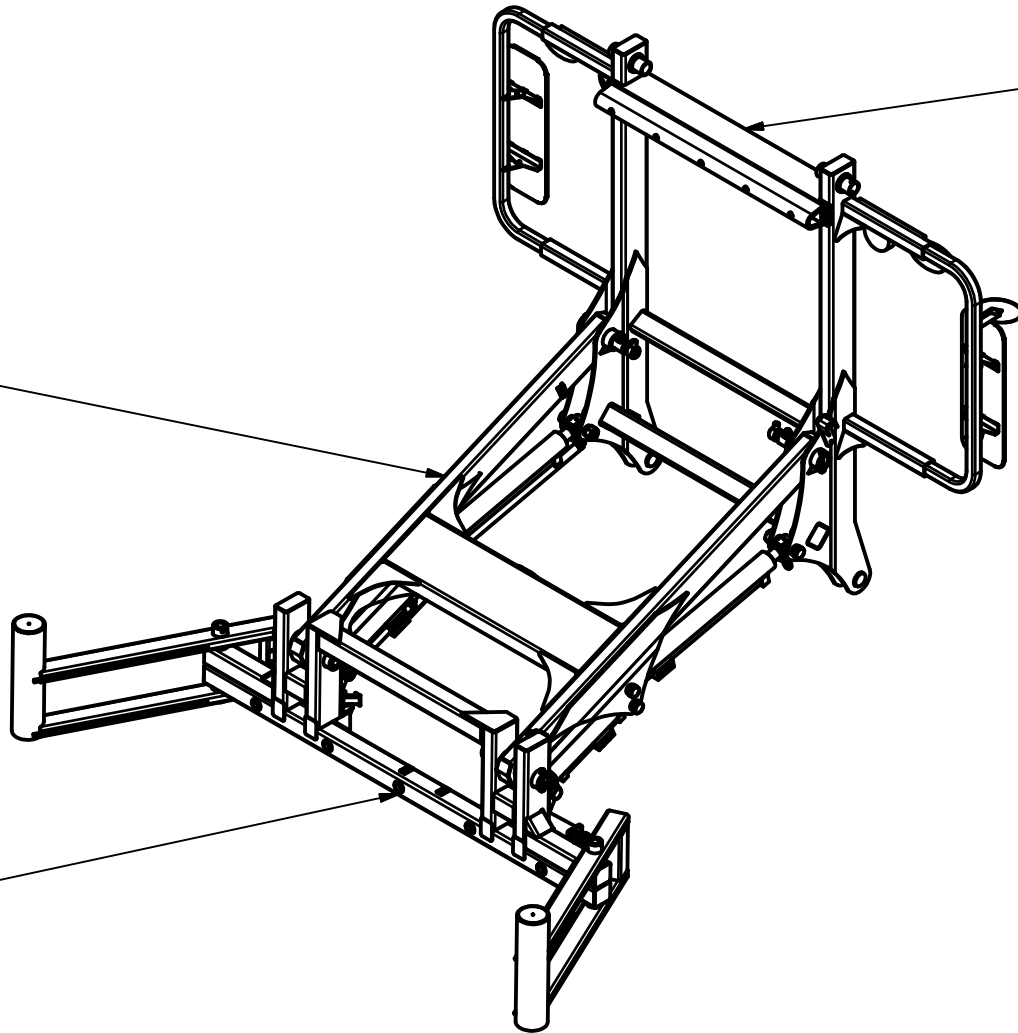
Back

Home

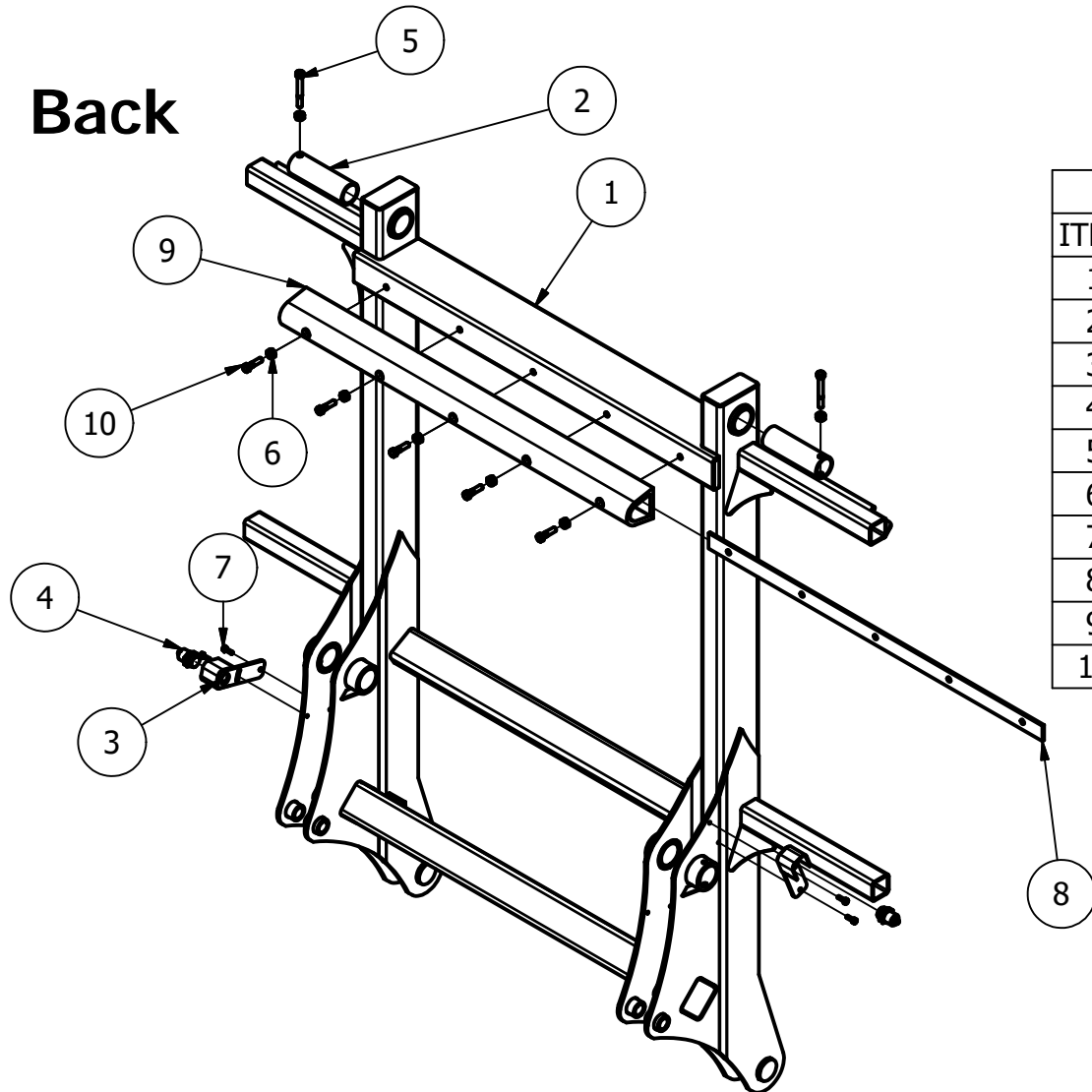
Lift Arm

Lift Frame

Tilt Frame



# Lift Frame Assy



Back

Home

PARTS LIST			
ITEM	QTY	PART NUMBER	DESCRIPTION
1	1	5540A	Front Lift Frame
2	2	5540-118	Lift Frame Upper Pivot Shaft
3	2	1400-122	Shielded Prox Switch Mount
4	2	1490-5667	Prox Switch W/QD at switch
5	2	1/2-13 X 4	Hex Bolt
6	7	1/2-13 Nut	Hex Nut
7	4	5/16-18 X 1	Hex Bolt
8	1	5540-109	Rubber Bumper Strap
9	1	1490-5338	Rubber Bumper
10	5	1/2-13 X 2	Hex Bolt

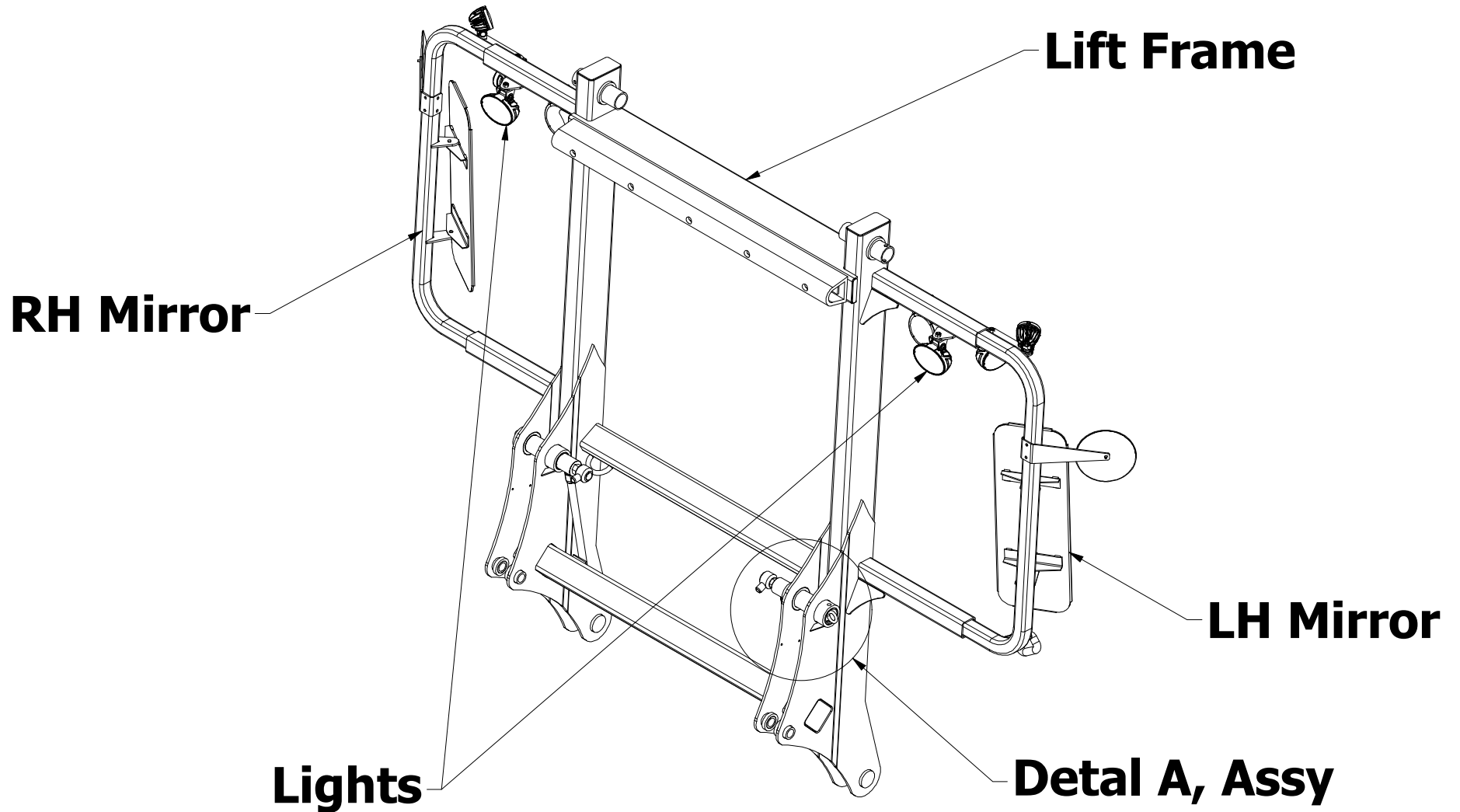
Prox Wire 1490-5668

# Stinger 8500 Stacker

[Back](#)

[Home](#)

## Front Lift Frame Assy



---

# Lift Arm Assy

Back

Home

Lift Cyl.  
W/ Sensor

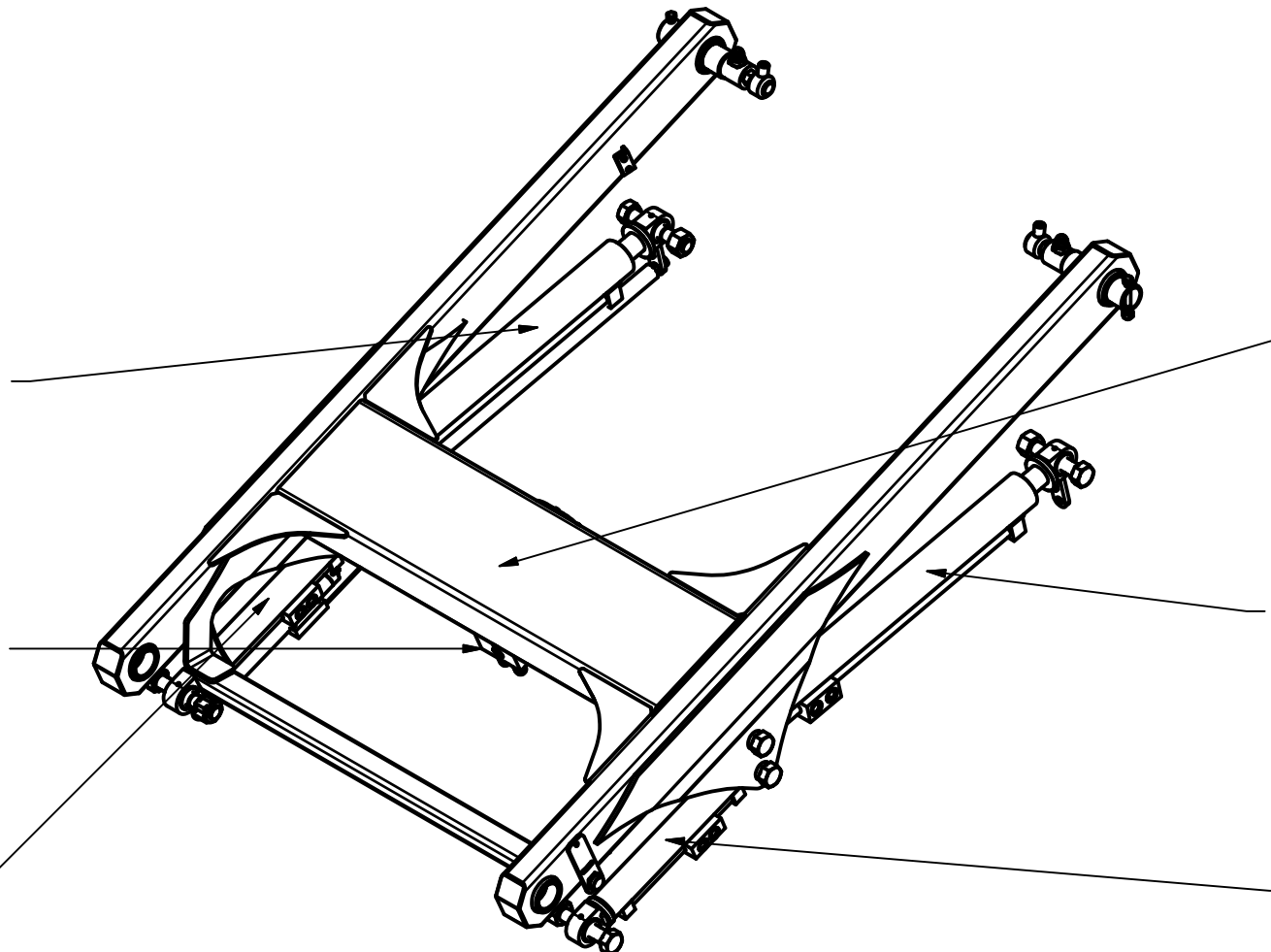
Lift Arm

Hyd. Valve  
Block

Lift Cyl.

Tilt Cyl  
W/Sensor

Tilt Cyl.



---

# Squeeze Tilt Frame Assy

Back

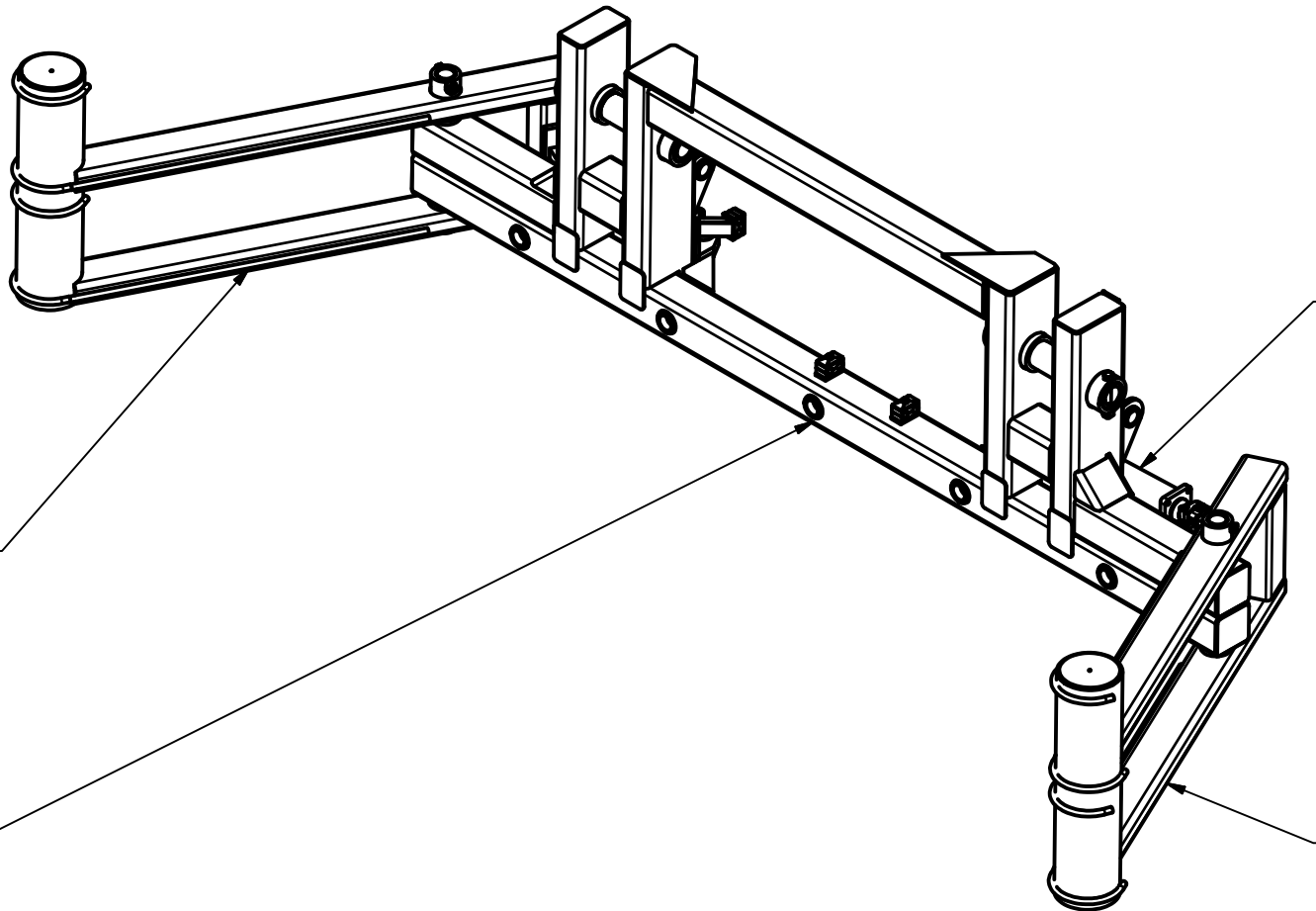
Home

Sqz. Cyl.

RH Sq Arm

Tilt Frame

LH Sq Arm





---

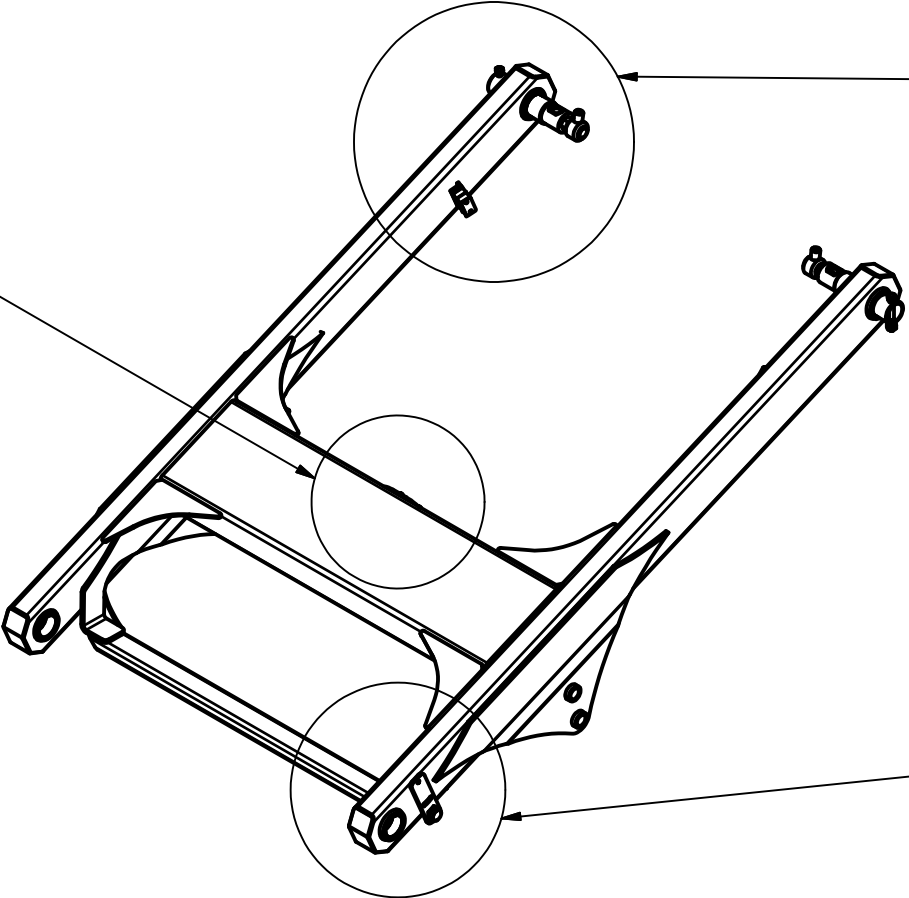
# Lift Arm

Back

Home

Detail C

Detail A



Detail B

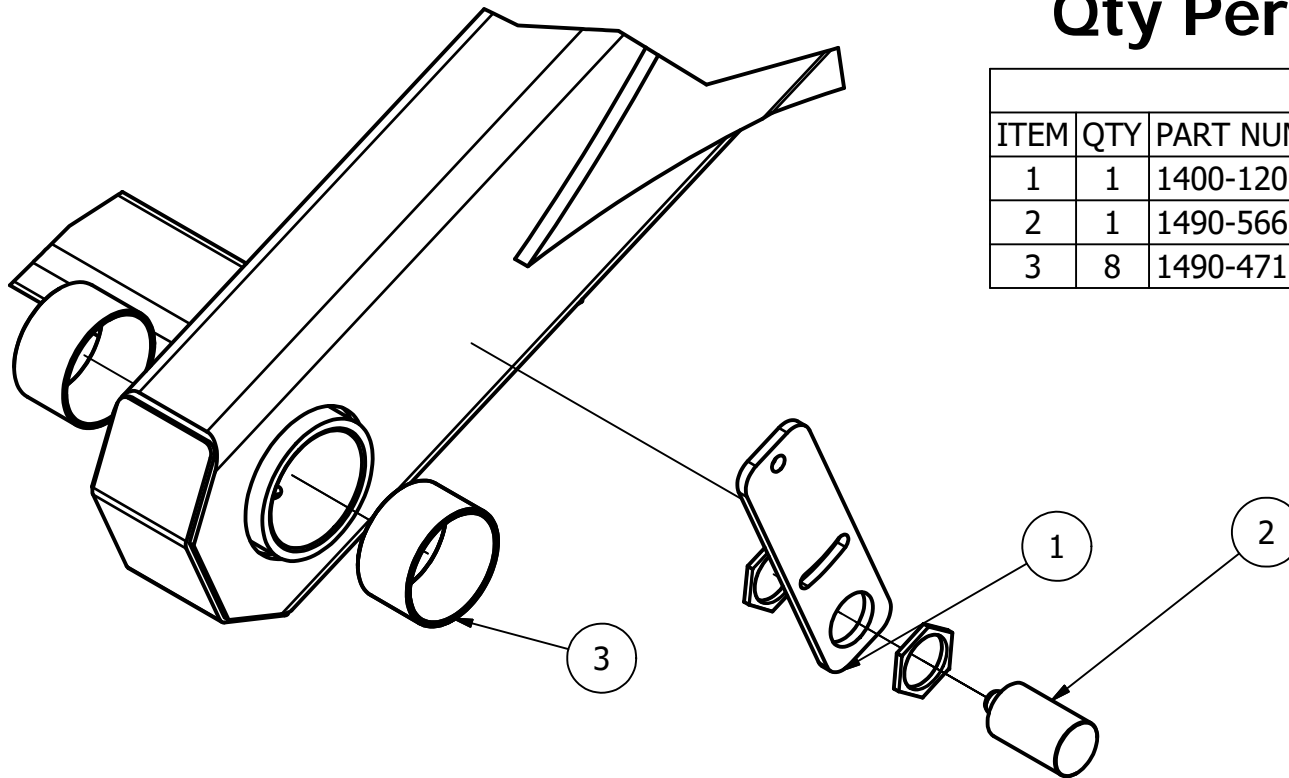
---

---

## Lift Arm Detail B

Back

Home



### Qty Per Lift Arm Assy

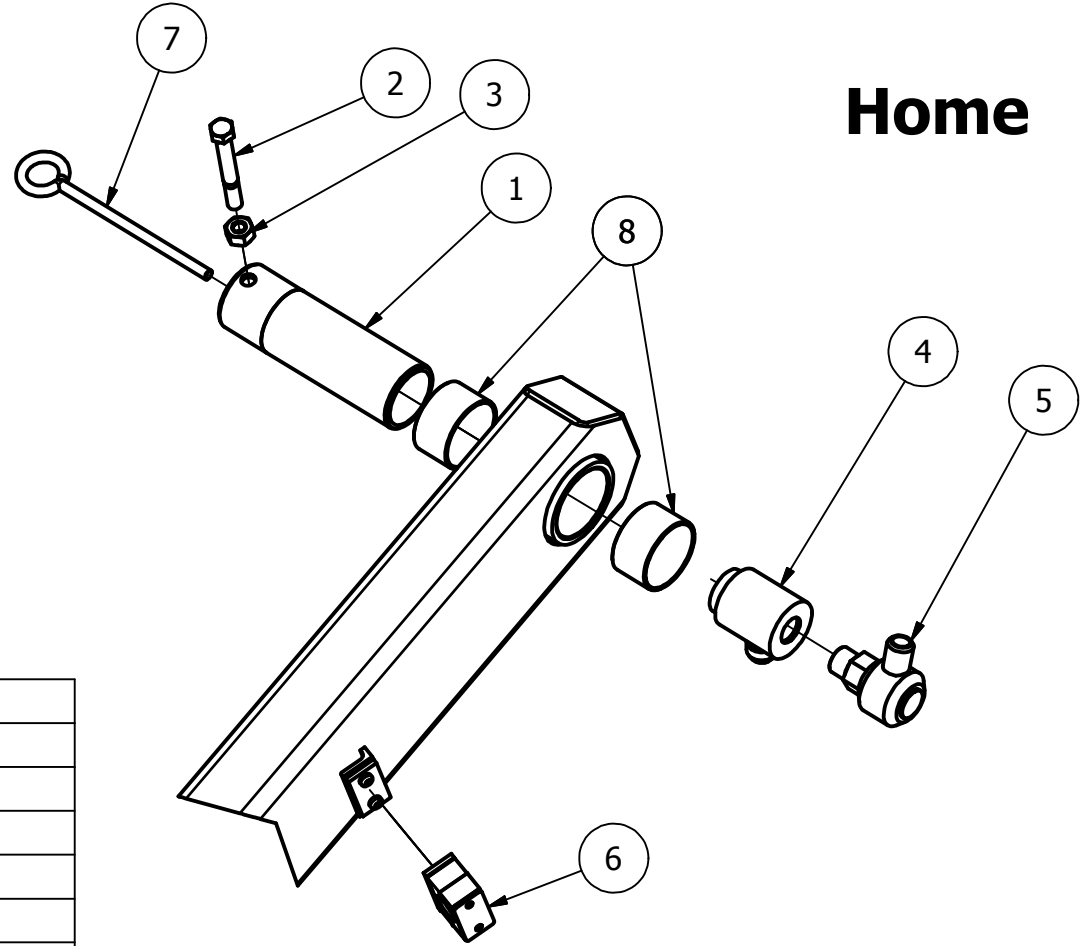
PARTS LIST			
ITEM	QTY	PART NUMBER	DESCRIPTION
1	1	1400-120	Prox Switch Mount
2	1	1490-5667	Prox Switch W/QD at switch
3	8	1490-4716	Wear Bushing

---

# Lift Arm Detail A

**Back**

**Home**



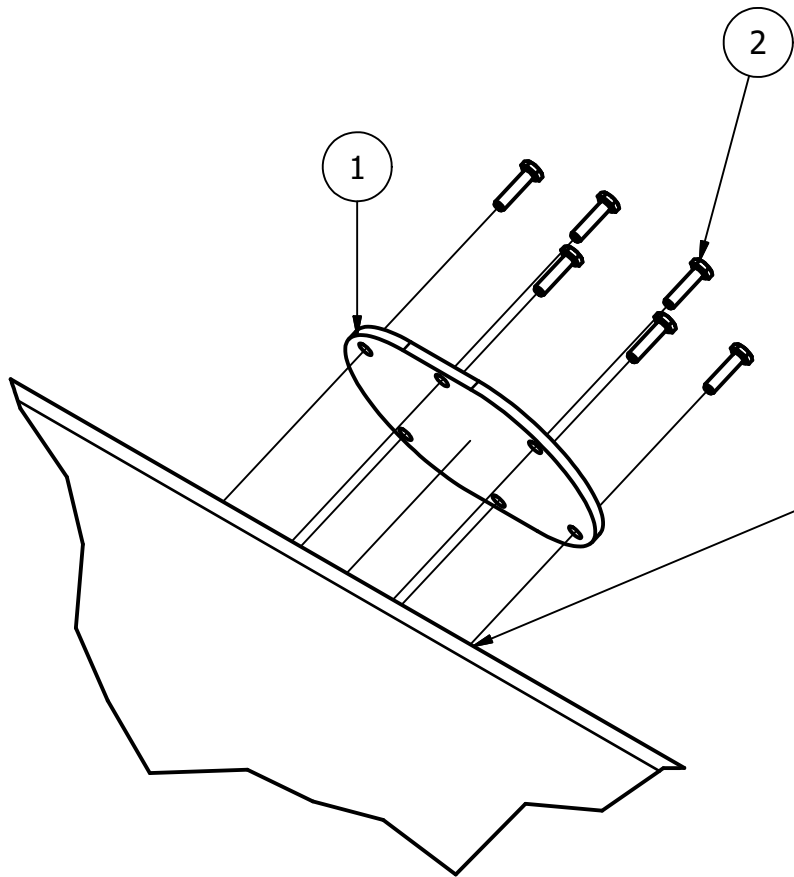
## Qty Per Lift Arm Assy

PARTS LIST			
ITEM	QTY	PART NUMBER	DESCRIPTION
1	2	5540-111	Main Pivot Shaft
2	2	1/2-13 X 4"	Bolt
3	2	1/2-13 Nut	Nut
4	2	1490-5879	High Pressure Swivel Mount
5	2	1490-5849	High Pressure Swivel
6	4	Kit-Sng-.75	3/4" Single Hose Clamp
7	2	Eye bolt	3/8 X 8 Eye bolt
8	8	1490-4716	Wear Bushing

# Lift Arm Detail C

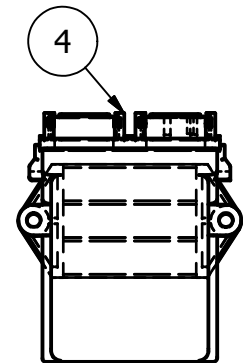
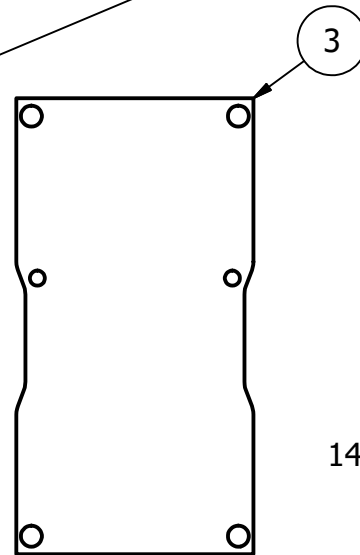
Back

Home



PARTS LIST			
ITEM	QTY	PART NUMBER	DESCRIPTION
1	1	5530-125	Lift Arm Crossmember Cover
2	6	1/4-20 X 1	1/4-20 X 1 Hex Head Bolt
3	1	5530-121	EVDR-6 Mounting Plate
4	1	1490-5861	EVDR-6 Controller
5	1	1490-5887	Frontend Wiring Harness

Inside the Crosstube



1490-5887 Front Wiring Harness includes Valve and Cylinder Sensor Wires

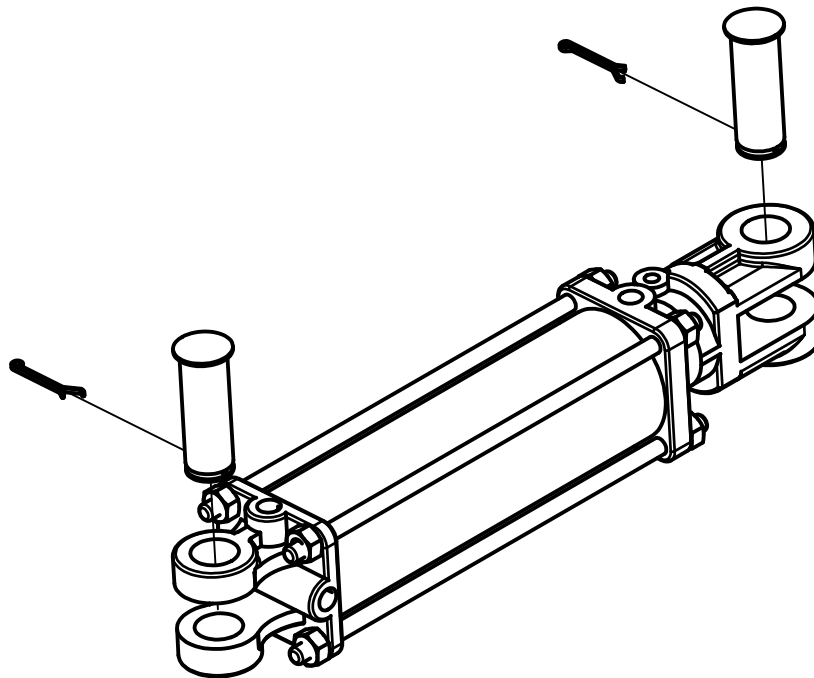
---

# Tilt Squeeze Cylinder Assy

(2-1/2 X 6 X 1-1/8" Cylinder)

Back

Home



**Cylinder Part Number**

**14905147**

(Comes with both Cylinder pins)

**Seal Kit Part Number**

**14901872**

(2-1/2" bore, 6" Stroke, 1-1/8" Rod)

**Rod End Clevis Part Number**

**14905958**

(Hardened for 1" Cylinder pins 1-1/8" Thread)

**Cylinder Pin Part Number**

**14904566**

(1 X 2-3/4" W/Cotter pin)

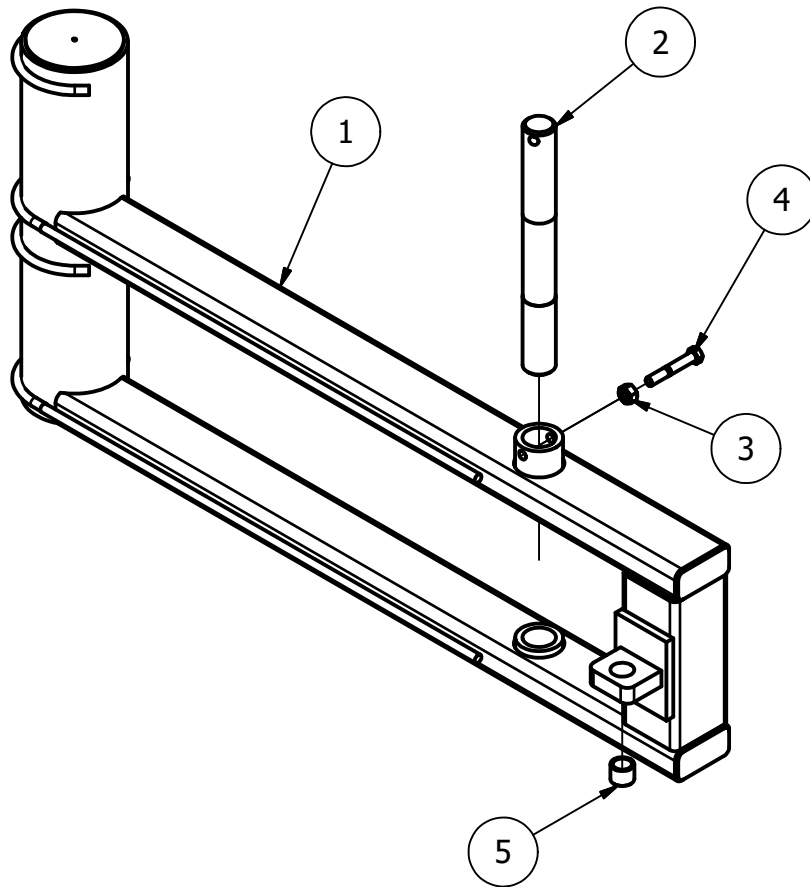
---

---

# RH Front Squeeze Arm Assy

Back

Home



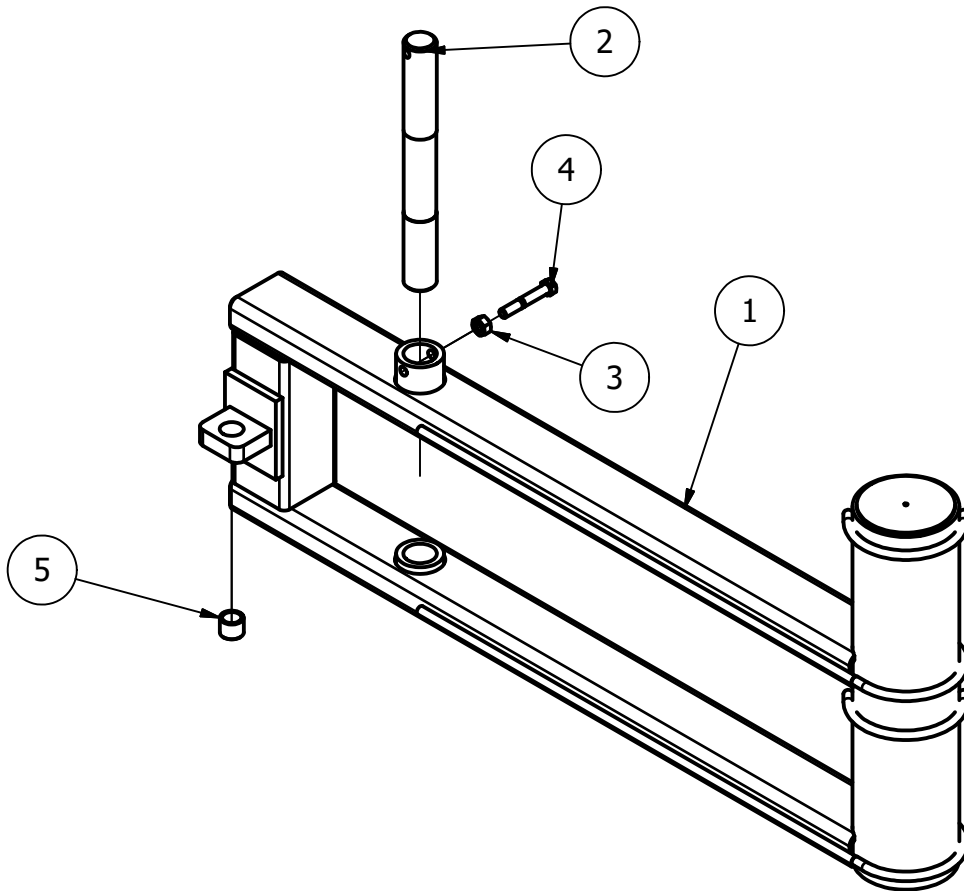
PARTS LIST			
ITEM	QTY	PART NUMBER	DESCRIPTION
1	1	1425A2R	RH Squeeze Arm
2	1	1420-305	Machined Shaft
3	1	1/2-13 Nut	Hex Nut
4	1	1/2-13 X 3-1/4 Bolt	Hex Bolt
5	1	14902030	Wear Bushing

---

# LH Front Squeeze Arm Assy

Back

Home



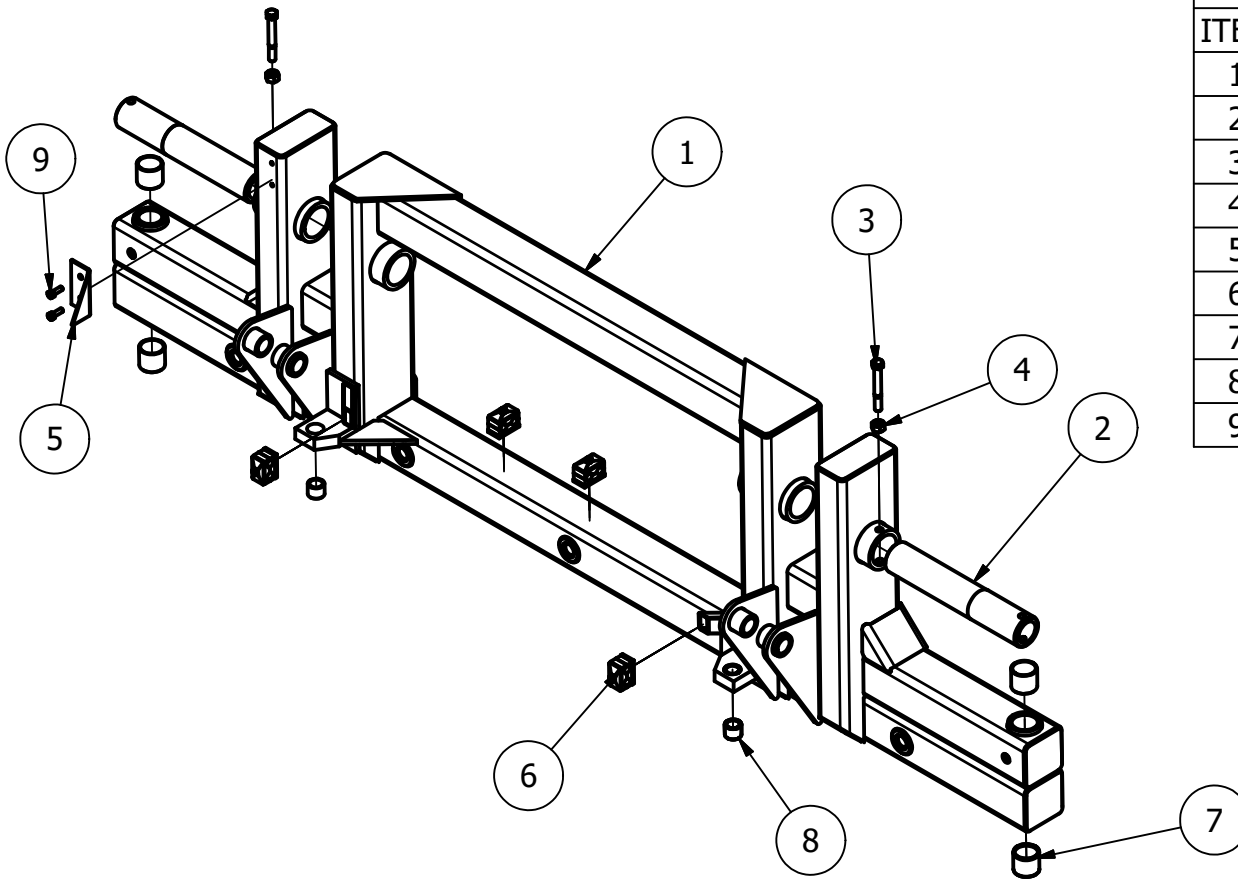
PARTS LIST			
ITEM	QTY	PART NUMBER	DESCRIPTION
1	1	1425A2L	RH Squeeze Arm
2	1	1420-305	Machined Shaft
3	1	1/2-13 Nut	Hex Nut
4	1	1/2-13 X 3-1/4 Bolt	Hex Bolt
5	1	14902030	Wear Bushing

---

# Squeeze Front Tilt Frame Assy

Back

Home



PARTS LIST			
ITEM	QTY	PART NUMBER	DESCRIPTION
1	1	5525A	Front Squeeze Tilt Frame
2	2	5520-110	Tilt Pivot Shaft
3	2	1/2-13 X 4	Hex Bolt
4	2	1/2-13 Nut	Hex Nut
5	1	5520-200	Tilt Prox Adjustent Angle
6	4	KIT-DBL-.375	3/8" Double Hose Clamp
7	4	14904654	Wear Bushing
8	2	14902030	Wear Bushing
9	2	5/16-18 X 1	Hex Bolt



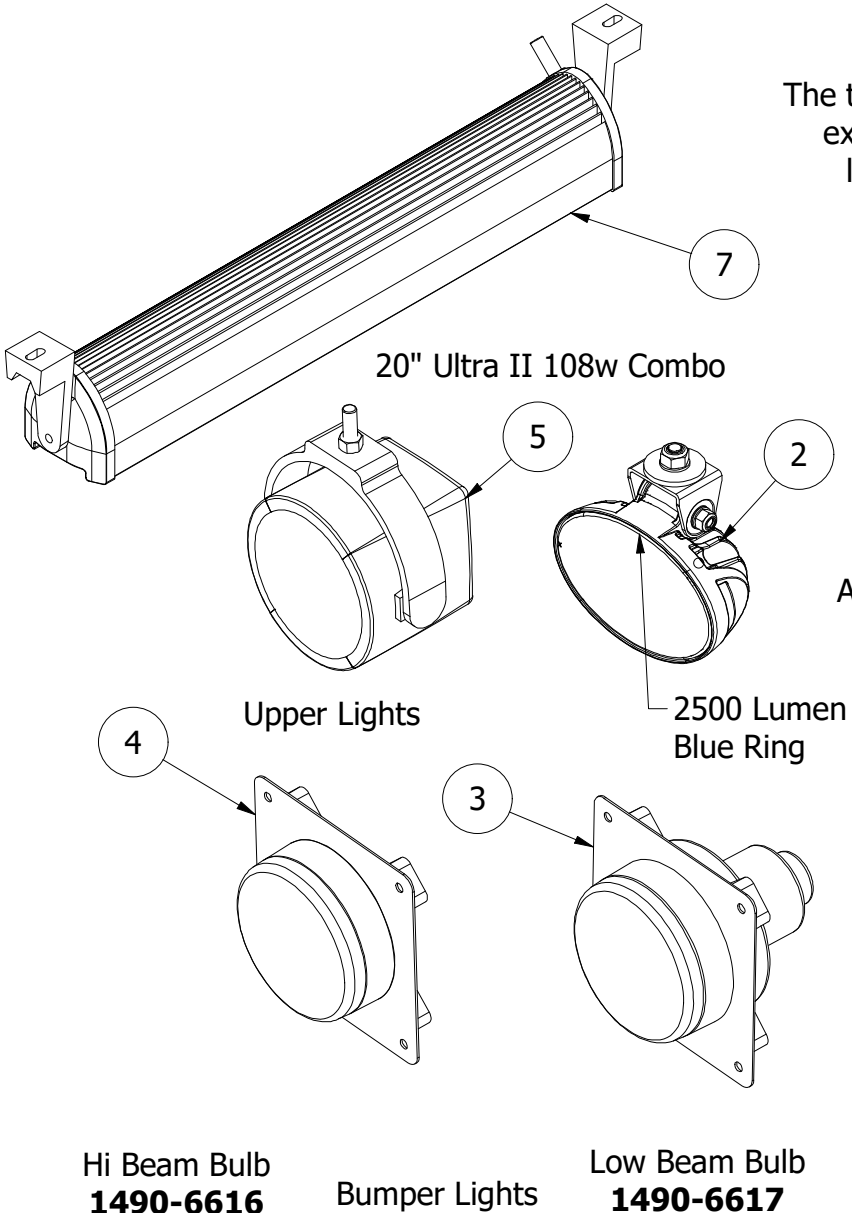
# Stinger 8500 Stacker

[Back](#)

[Home](#)

## Working Lights

The two Oval Trilliant lights look identical in appearance except for a Blue Ring along the outer edge of the lens on the 2500 lumen (Forward Facing) light.



**1490-6690** Wire Harness required to add any LED light to an older machine

## Wiring Harnesses

PARTS LIST			
ITEM	QTY	PART NUMBER	DESCRIPTION
1	6	1490-6319	Trilliant LED Oval 1200 Lumens Flood Light
2	2	1490-6320	Trilliant LED Oval 2500 Lumens Flood Light
3	2	1490-6557	Low Beam Headlight (2014 & Later Outer)
4	2	1490-6558	Hi Beam Headlight (2014 & Later Inner)
5	2	14906770	Rallye 4000Xi Xenon Driving Lamp
6	1	1490-6611	Trilliant T26 LED 1400 Flood Light
7	2	1490-7048	20" Ultra II 108w Combo

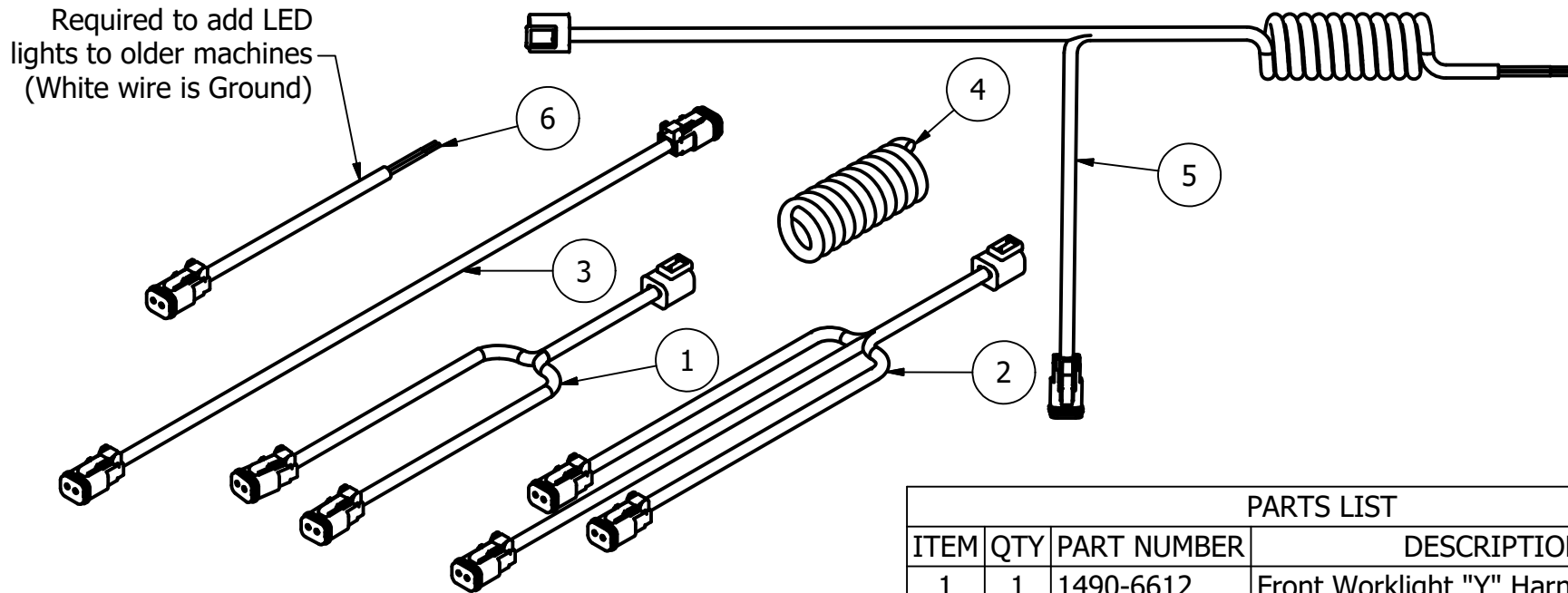
# Wiring Harnesses

Back

Not Drawn to Scale

Home

Required to add LED lights to older machines  
(White wire is Ground)



## PARTS LIST

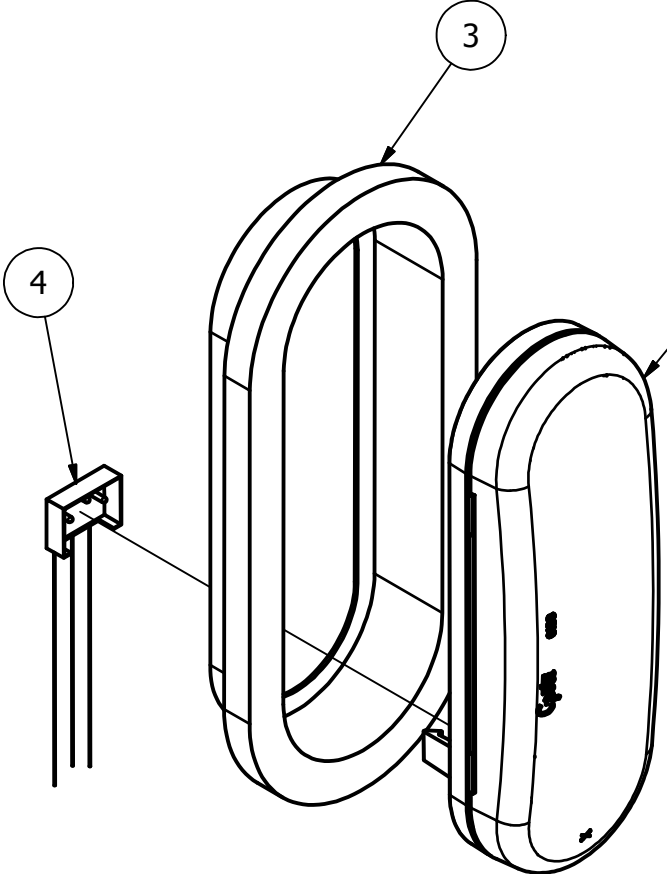
ITEM	QTY	PART NUMBER	DESCRIPTION
1	1	1490-6612	Front Worklight "Y" Harness (LH)
2	1	1490-6613	Front Worklight "W" Harness (RH)
3	1	1490-6689	Squeeze Rail Wiring Harness (Long)
4	1	1490-5955	Rear Work Light Power Supply Cord
5	1	1490-6691	Squeeze Rail Wire Harness Assembly
6	1	1490-6690	Rear Work Light Power Supply Cord

---

# LED Turn/Brake Lights

Back

Home



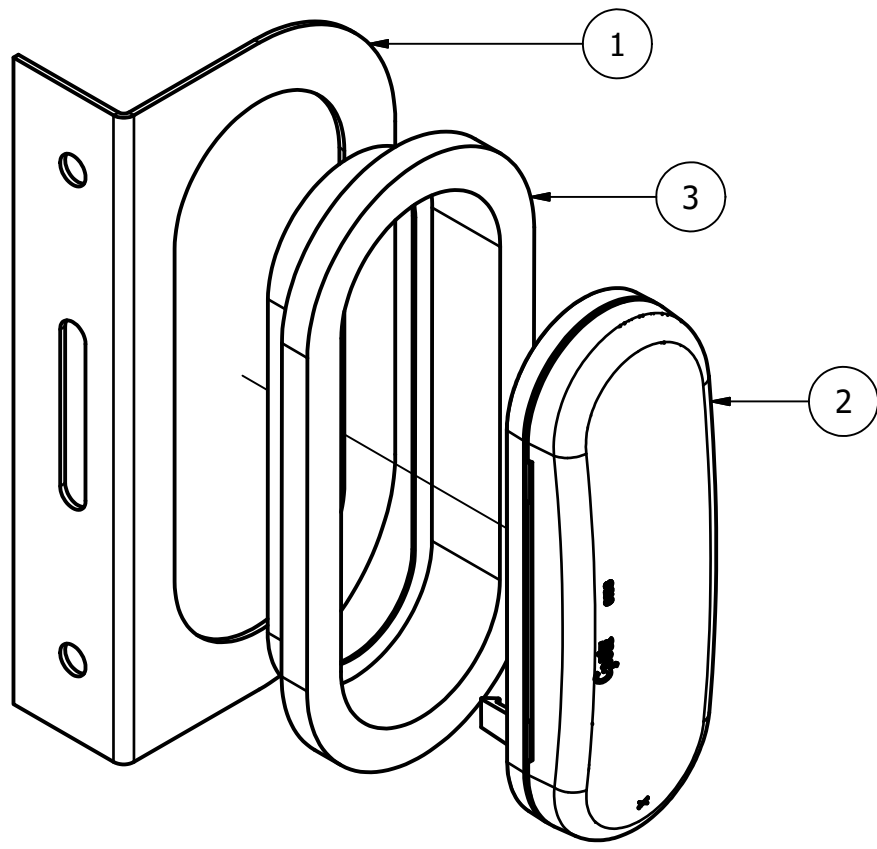
PARTS LIST			
ITEM	QTY	PART NUMBER	DESCRIPTION
1	1	1490-6188	Red LED Turn/Brake Light
2	1	1490-6189	Amber LED Turn Signal Light
3	1	1490-6265	Rubber Grommet for Tail lights
4	1	1490-6266	3-Pin Pigtail

---

# Compartment Light Detail

Back

Home



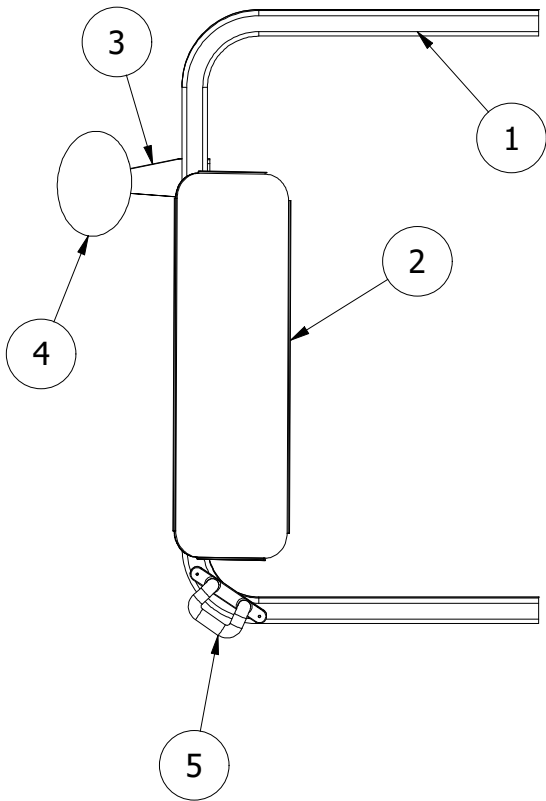
PARTS LIST			
ITEM	QTY	PART NUMBER	DESCRIPTION
1	1	1490-3502	Black Steel Oval Light Bracket
2	1	1490-6321	Oval 6" LED Dome Compartment Light
3	1	1490-6265	Rubber Grommet for Tail lights

# Stinger 8500 Stacker

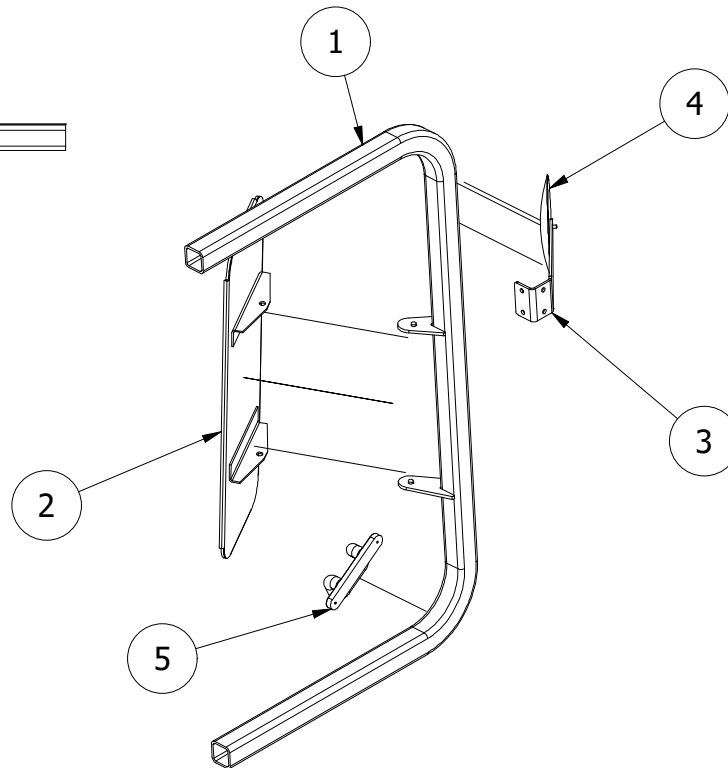
[Back](#)

[Home](#)

## LH Mirror Bracket



PARTS LIST			
ITEM	QTY	PART NUMBER	DESCRIPTION
1	1	2006A3L	2006 500 Series LH Mirror Bracket
2	1	1490-5379	10X30 Mirror Assy
3	1	6550-110	Parabolic Mirror Bracket
4	1	1490-5087	8" Rd Convex Mirror
5	1	14904243	Molded Grab Handle



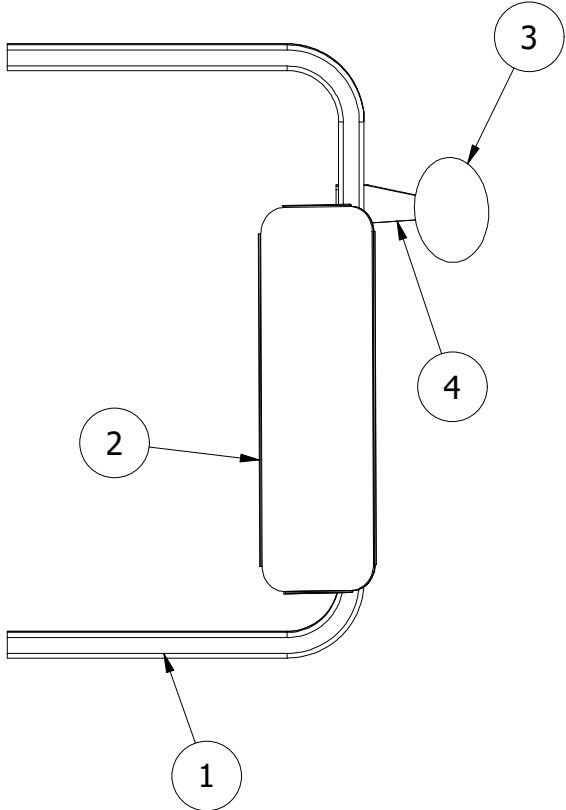
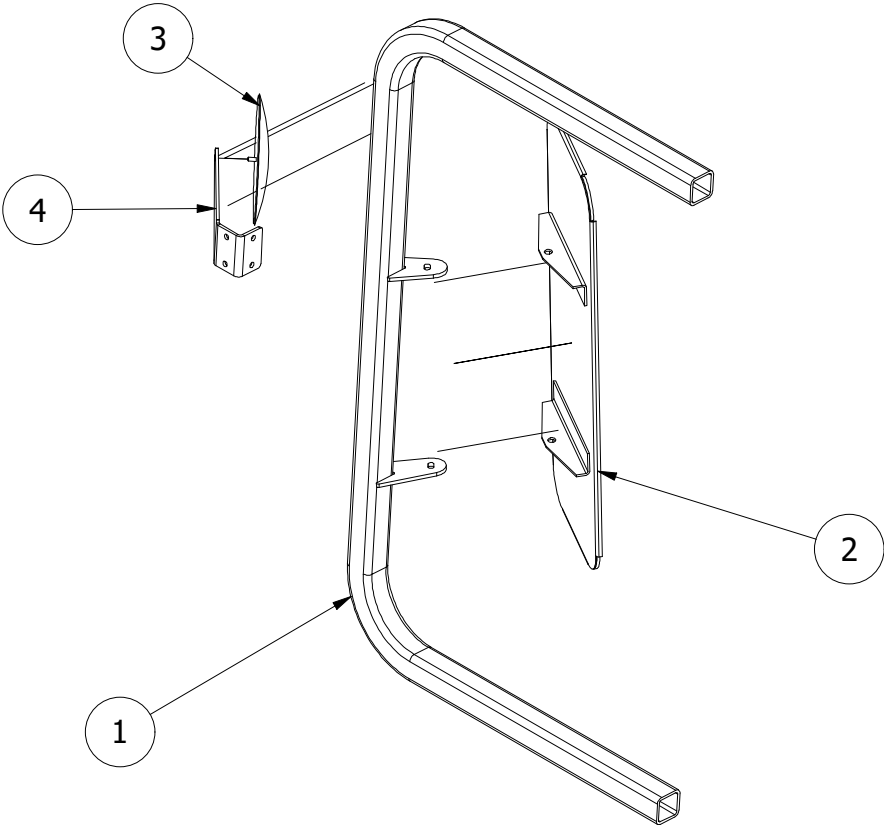
# Stinger 8500 Stacker

[Back](#)

[Home](#)

## RH Mirror Bracket

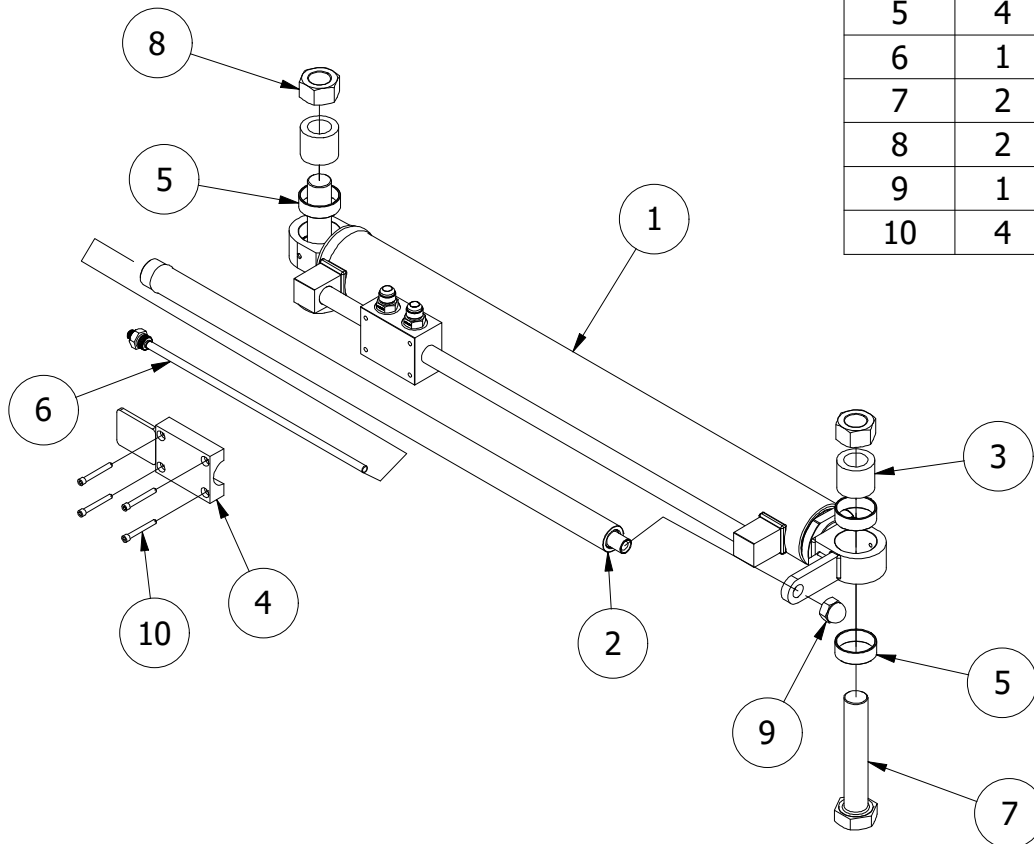
PARTS LIST			
ITEM	QTY	PART NUMBER	DESCRIPTION
1	1	2006A3R	2006 500 Series RH Mirror Bracket
2	1	1490-5379	10X30 Mirror Assy
3	1	1490-5087	8" Rd Convex Mirror
4	1	6550-110	Parabolic Mirror Bracket



# 5530-204RH

(5530-204 W/Sensor)

PARTS LIST			
ITEM	QTY	PART NUMBER	DESCRIPTION
1	1	5530-204	3 x 30 x 2 Welded Cylinder
2	1	1490-5853	30" Sensor Housing
3	2	5530-130	Cylinder Pivot Bearing
4	1	5530-206	Position Sensor Mounting Cap Weldment
5	4	1490-5878	Wear Bushing
6	1	1490-5867	30" Cylinder Linear Sensor
7	2	1490-5104	HCS 1-1/4-12 x 7, Zinc Plate Grade 8
8	2	1490-2081	Top Lock 1-1/4 - 12, Zinc Plate Grade 8
9	1	1490-6624	Acorn Nut for Sensor Housing
10	4	Cap Screw	1/4 X 2-1/4 Allen Head Cap Screw (33608)



Cylinder Seal Kit 1490-5019

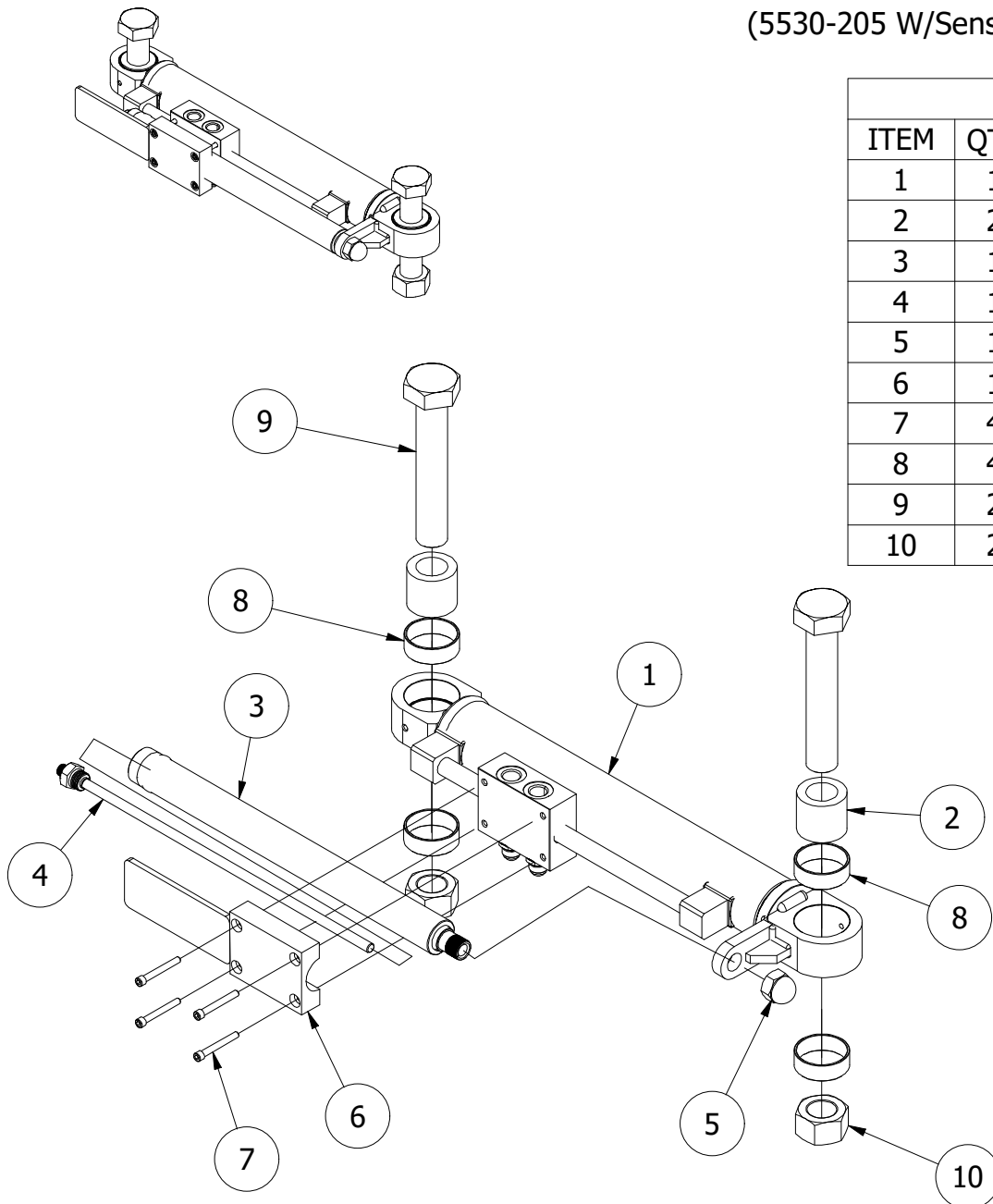
Sensor Housing Seal Kit 1490-6297

Sensor requires 1 - 8MB O-Ring

# 5530-205RH

(5530-205 W/Sensor)

PARTS LIST			
ITEM	QTY	PART NUMBER	DESCRIPTION
1	1	5530-205	2-1/4 X 13 Tilt Cylinder
2	2	5530-130	Cylinder Pivot Bearing
3	1	1490-5854	13" Sensor Housing
4	1	1490-5866	13" Sensor
5	1	1490-6624	Acorn Nut for Sensor Housing
6	1	5530-207	Position Sensor Mounting Cap Weldment
7	4	Cap Screw	1/4 X 2-1/4 Cap Screw (33608)
8	4	1490-5878	Wear Bushing
9	2	1490-5104	HCS 1-1/4-12 x 7, Zinc Plate Grade 8
10	2	1490-2081	Top Lock 1-1/4 - 12, Zinc Plate Grade 8



Cylinder Seal Kit 1490-4756

Sensor Housing Seal Kit 1490-6297

Sensor requires 1 - 8MB O-Ring

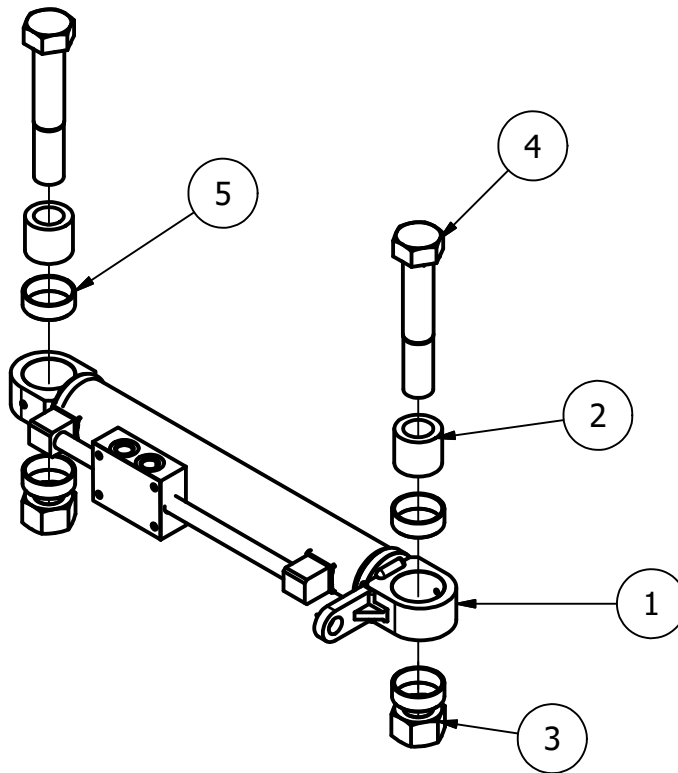


---

# 5530-205

[Back](#)

[Home](#)



PARTS LIST			
ITEM	QTY	PART NUMBER	DESCRIPTION
1	1	5530-205	2-1/4 X 13 Tilt Cylinder
2	2	5530-130	Cylinder Pivot Bearing
3	2	14902081	Top Lock 1-1/4 - 12, Zinc Plate Grade 8
4	2	14905104	HCS 1-1/4 - 12 x 7, Zinc Plate Grade 8
5	4	1490-5878	Wear Bushing

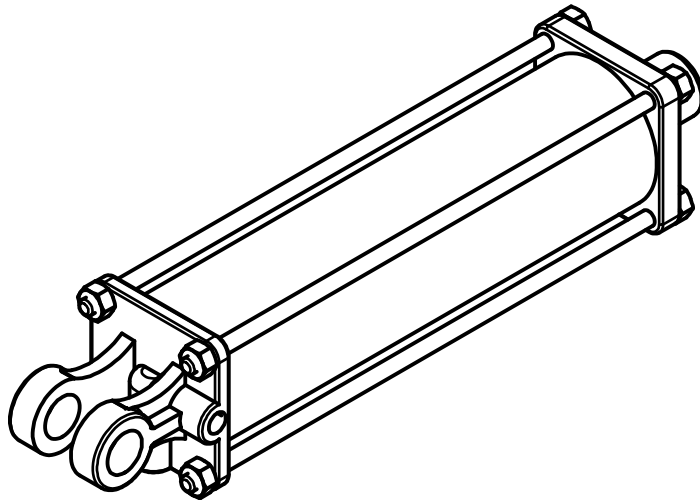
Cylinder Seal Kit 1490-4756

---

**Stackdown Cylinder**  
**1490-1896**  
**(3 X 10 X 1-1/2)**

**Back**

**Home**



**Use seal Kit #1490-2517**

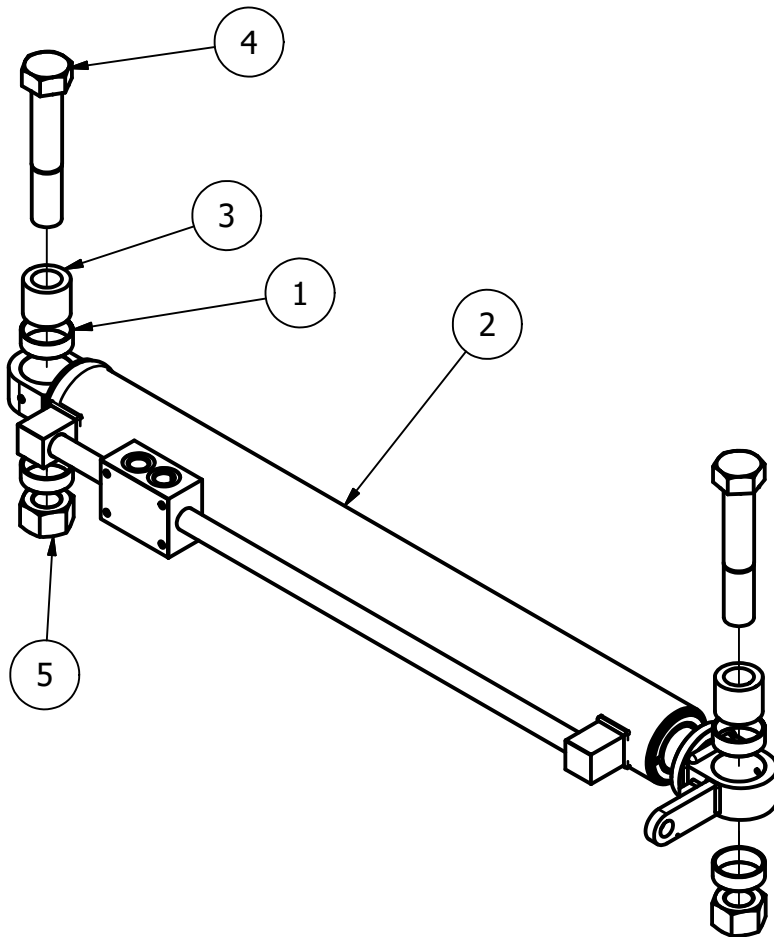
---

---

# 5530-204

Back

Home



PARTS LIST			
ITEM	QTY	PART NUMBER	DESCRIPTION
1	4	1490-5878	Wear Bushing
2	1	5530204	3 X 30 X 2 Welded Cylinder
3	2	5530-130	Cylinder Pivot Bearing
4	2	14905104	HCS 1-1/4 - 12 x 7, Zinc Plate Grade 8
5	2	14902081	Top Lock 1-1/4 - 12, Zinc Plate Grade 8

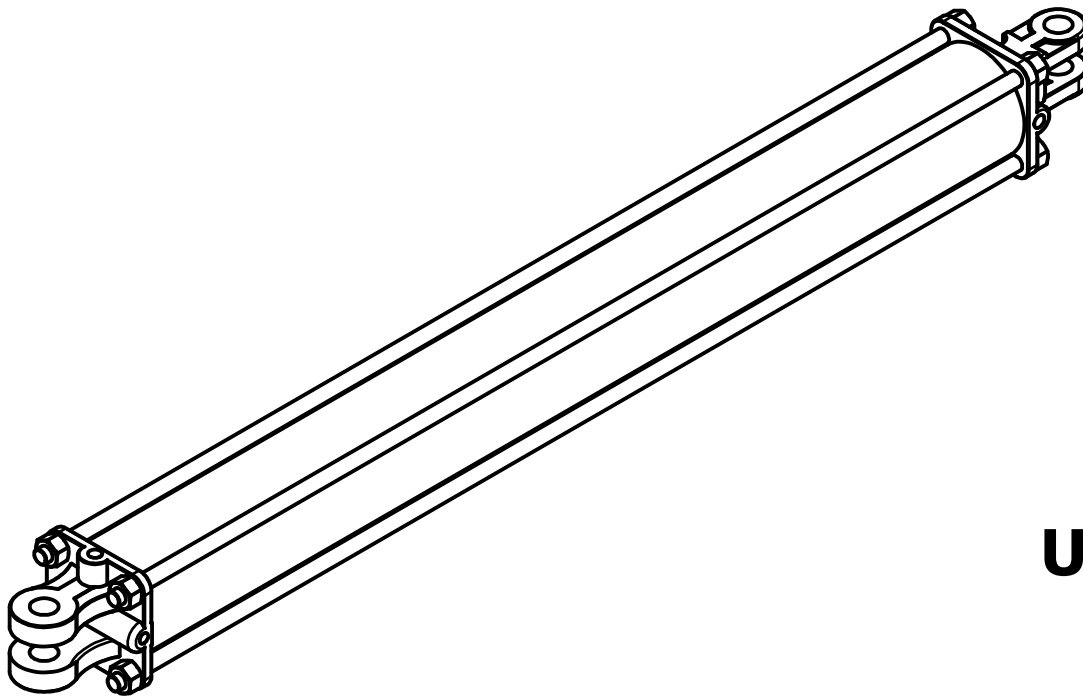
Cylinder Seal Kit 1490-5019

---

**Hoist Cylinder  
1490-6921  
(5 X 50 X 2.50)**

**Back**

**Home**



**Use Seal Kit # 1490-7103**

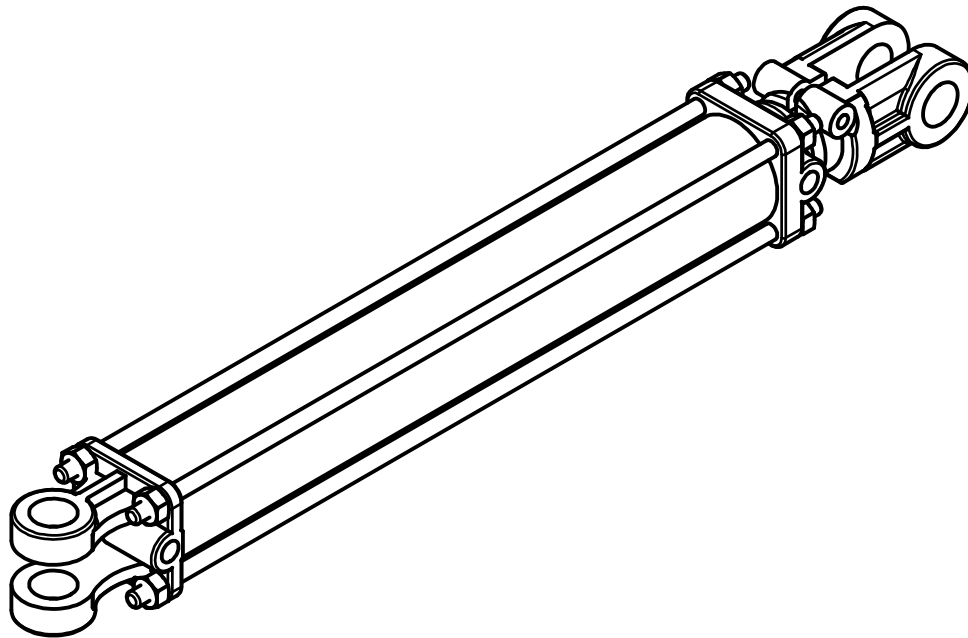
---

---

**Pull-Bar Cylinder  
1490-6922  
(3 X 52 X 1-1/2)**

**Back**

**Home**



**Use Seal Kit # 1490-6929**

---

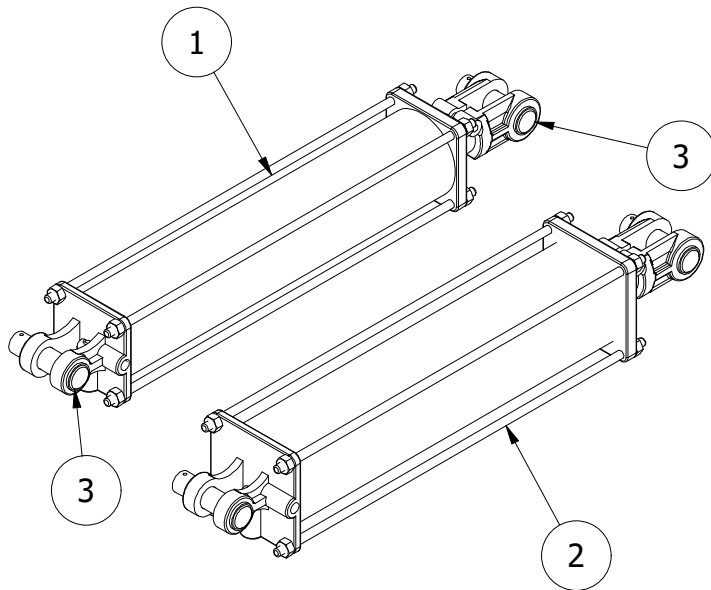
---

# Squeeze Rail Cylinders

**Back**

**Home**

PARTS LIST			
ITEM	QTY	PART NUMBER	DESCRIPTION
1	1	1490-4453	LH Squeeze Cylinder 3-1/2 X 16 X 1-1/4
2	1	1490-4454	RH Squeeze Cylinder 3-3/4 X 16 X 1-3/8
3	4	1490-1863	1 x 3-1/8 Cyl Pin



**1490-4453 Use Seal Kit  
Part # 1490-5025**

**1490-4454 Use Seal Kit  
Part # 1490-5026**

---

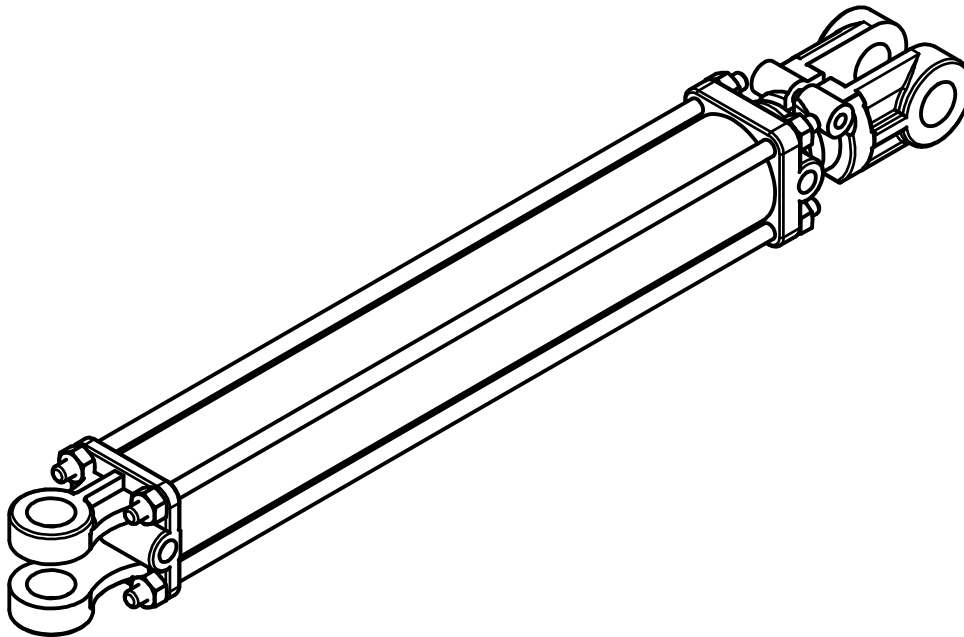
# **Push-Off Table Cylinder**

**1490-6924**

**(2 X 24 X 1-1/8)**

**Back**

**Home**



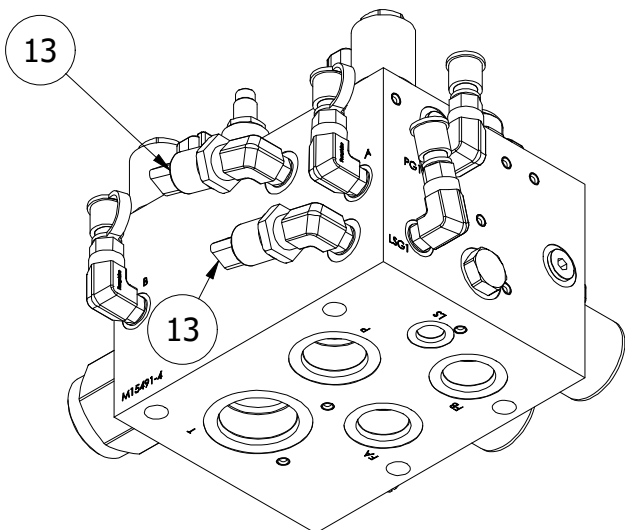
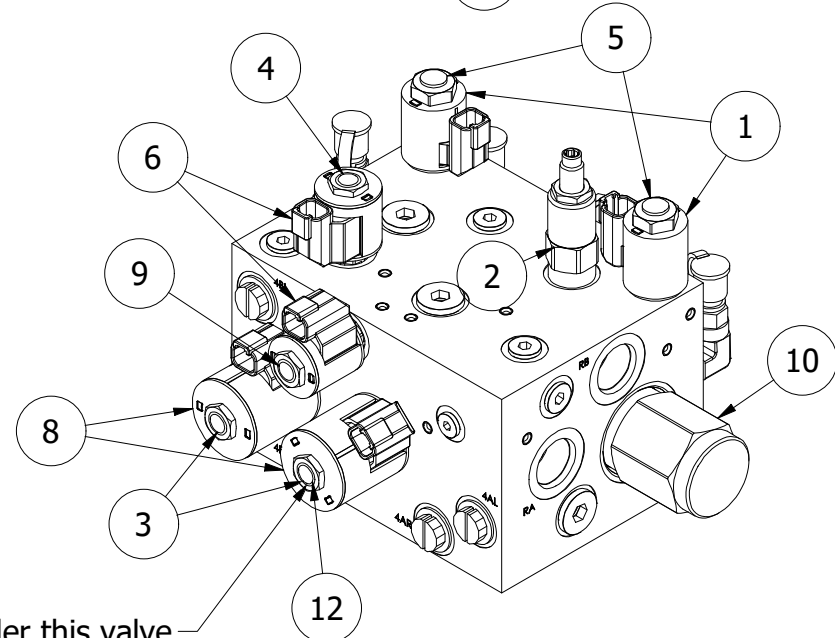
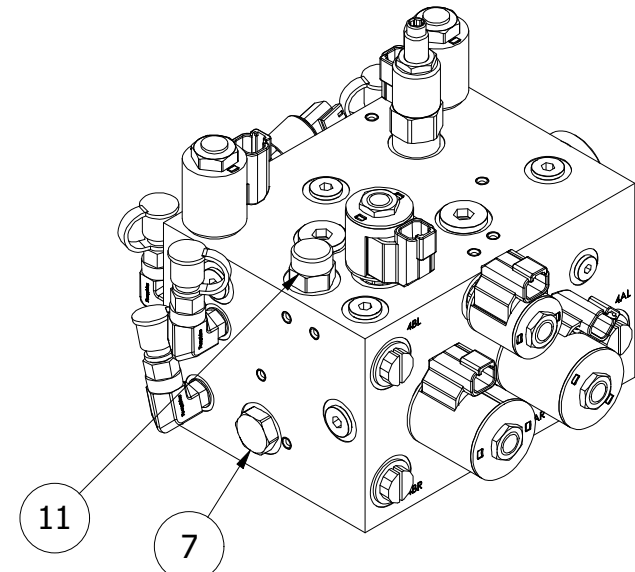
**Use Seal Kit # 1490-6931**

---

# Main Control Valve #1

(Complete Assy 1490-5870\_8500-Front)

PARTS LIST			
ITEM	QTY	PART NUMBER	DESCRIPTION
1	2	1490-5917	EHPR #8 Coil
2	1	1490-5925	Relief Valve Main
3	2	1490-5918	Size 10 2-Way
4	1	1490-6305	#8 Prop. Valve
5	2	1490-5916	EHPR Proportional Relief
6	2	1490-6785	12VDC #8 ER Coil
7	1	1490-6569	Shuttle Valve
8	2	1490-5920	12VDC #10 ER Coil
9	1	1490-6306	#8 Cartridge Valve
10	1	1490-6302	Main 4-way control valve
11	1	1490-6199	Flow Regulator 1.25 gal/min
12	1	1490-6225	#10 Orifice Disk .125
13	2	1490-5998	SENSOR AMP 100PSI .5-4.5VDC OUT



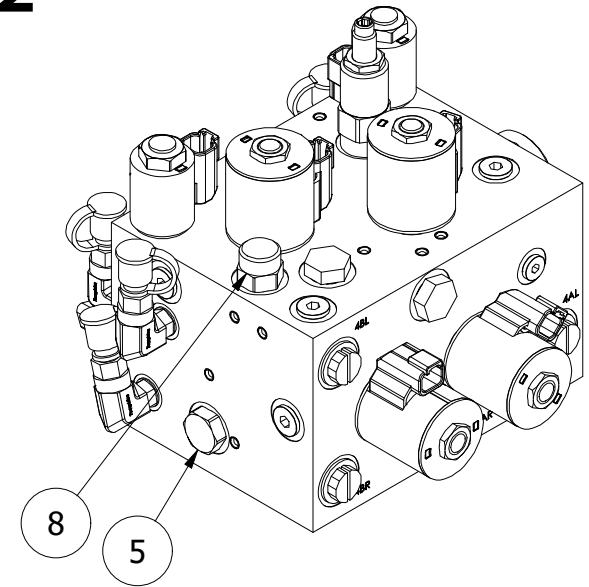
1490-6225 orifice under this valve



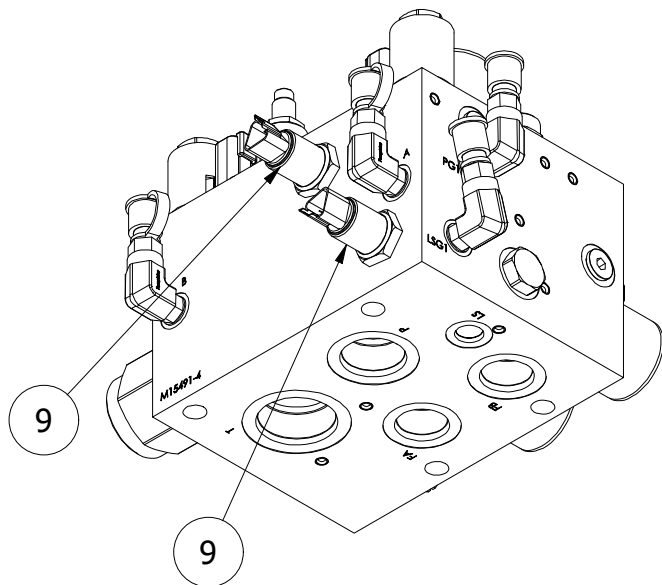
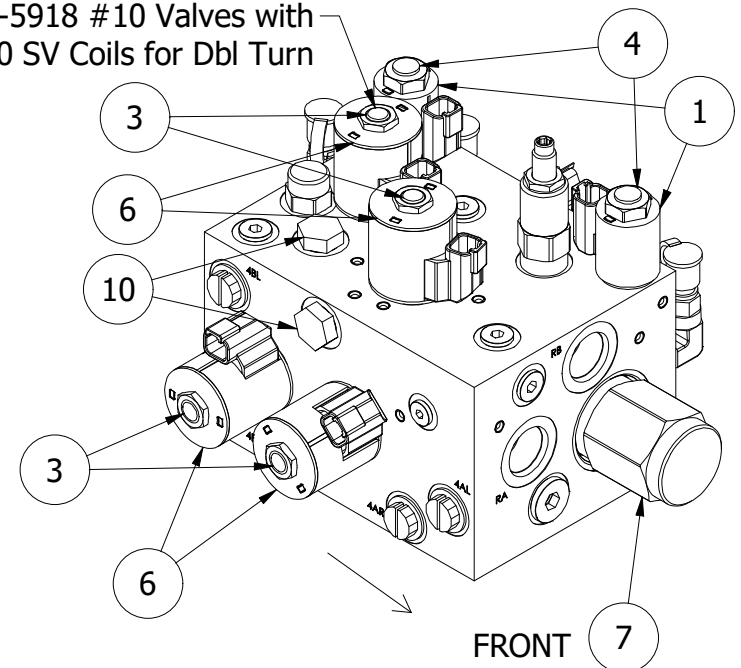
# Main Control Valve #2

(Complete Assy 1490-5870\_8500-Rear)

PARTS LIST			
ITEM	QTY	PART NUMBER	DESCRIPTION
1	2	1490-5917	EHPR #8 Coil
2	1	1490-5925	Relief Valve Main
3	4	1490-5918	Size 10 2-Way
4	2	1490-5916	EHPR Proportional Relief
5	1	1490-6569	Shuttle Valve
6	4	1490-5920	12VDC #10 ER Coil
7	1	1490-6302	Main 4-way control valve
8	1	1490-6199	Flow Regulator 1.25 gal/min
9	2	1490-5998	SENSOR AMP 100PSI .5-4.5VDC OUT
10	2	1490-6103	Cavity Plug



Add 2 -1490-5918 #10 Valves with  
1490-5920 SV Coils for Dbl Turn



# Frontend Control Valve

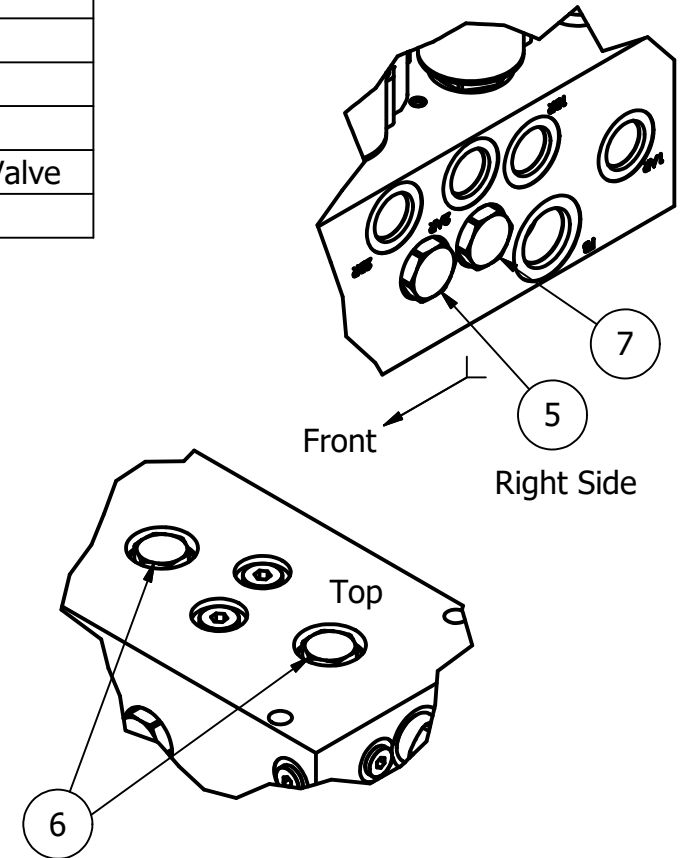
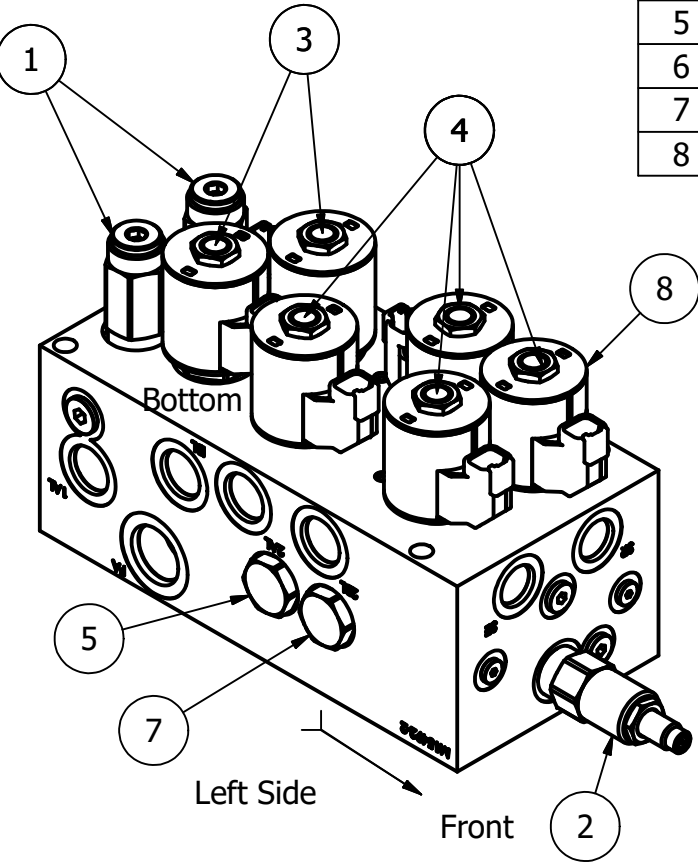
(1490-5871)

PARTS LIST			
ITEM	QTY	PART NUMBER	DESCRIPTION
1	2	1490-5926	Relief Valve Front Down
2	1	1490-5924	Relief Valve Front/Rear
3	2	1490-5919	Size 12 2-Way
4	4	1490-5918	Size 10 2-Way
5	2	1490-5922	Size 10 Check Valve
6	2	1490-5923	Size 08 Check Valve
7	2	1490-5921	Pilot Check Cartridge Valve
8	6	1490-5920	SV Coil

**Back**

**Home**

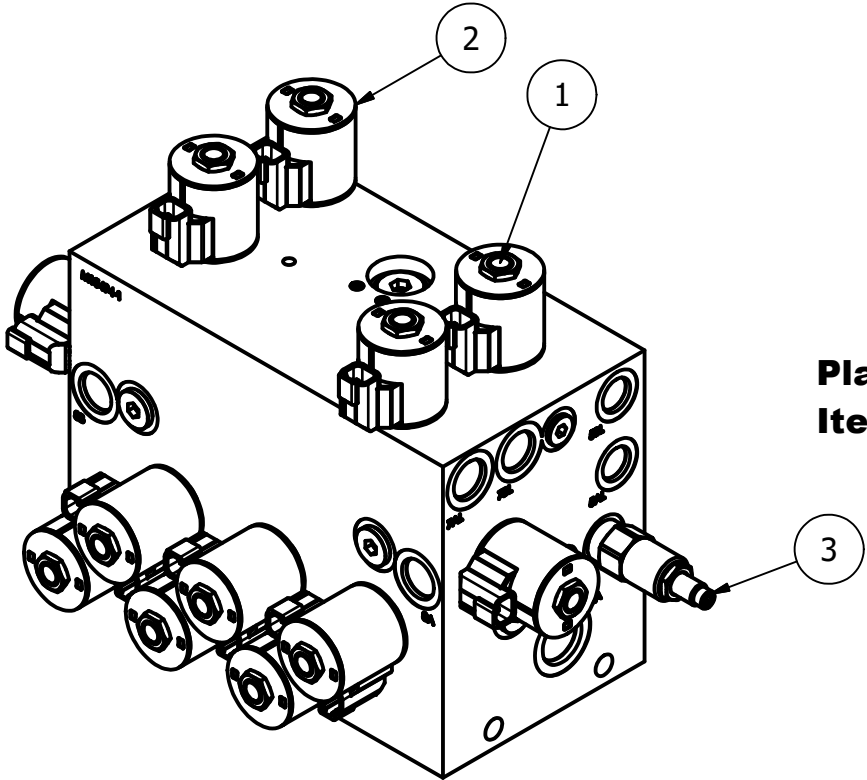
**Place Cursor Over  
Item For Identification**



# Rear Control Valve

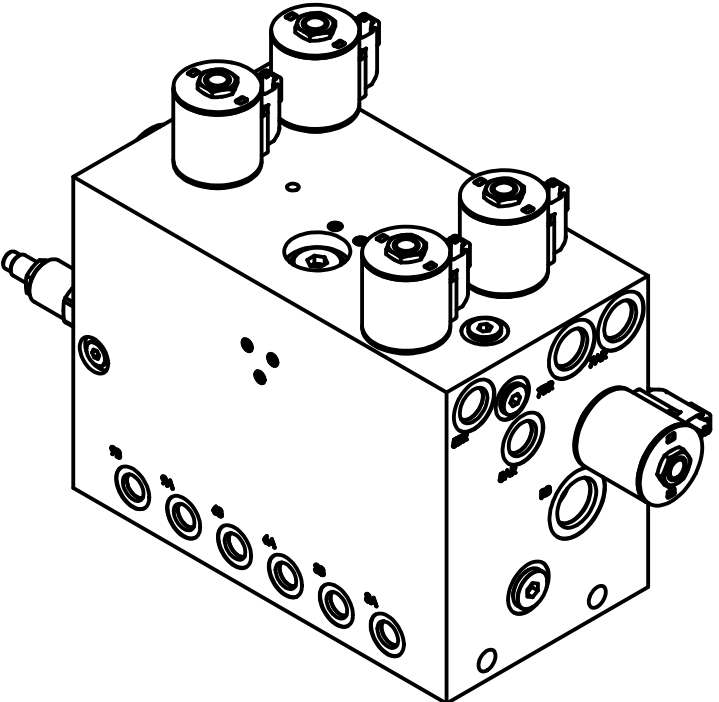
(1490-5873)

**Back**



**Place Cursor Over  
Item For Identification**

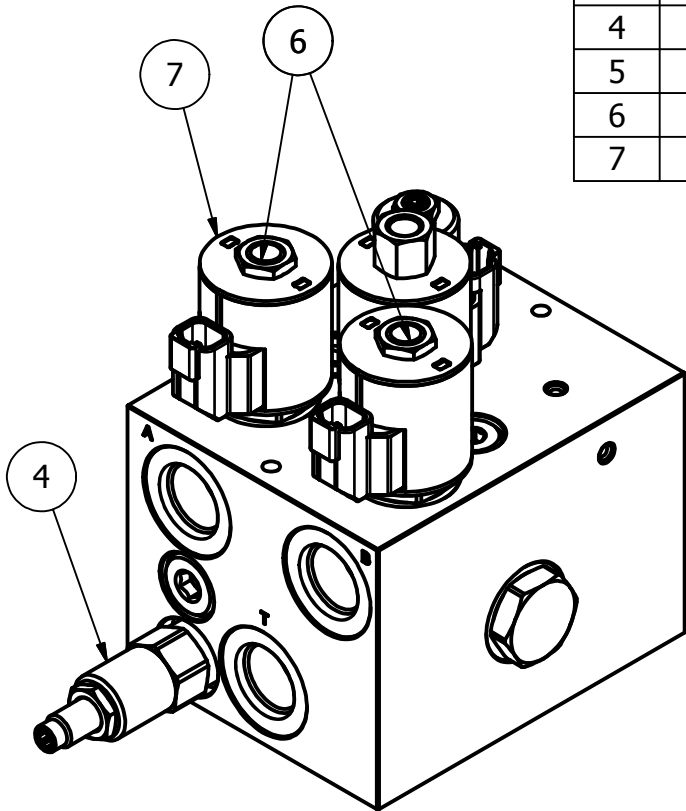
**Home**



PARTS LIST			
ITEM	QTY	PART NUMBER	DESCRIPTION
1	12	1490-5918	Size 10 2-Way
2	12	1490-5920	SV Coil
3	1	1490-5924	Relief Valve Front/Rear

# 8500 Hoist Valve 1490-6979

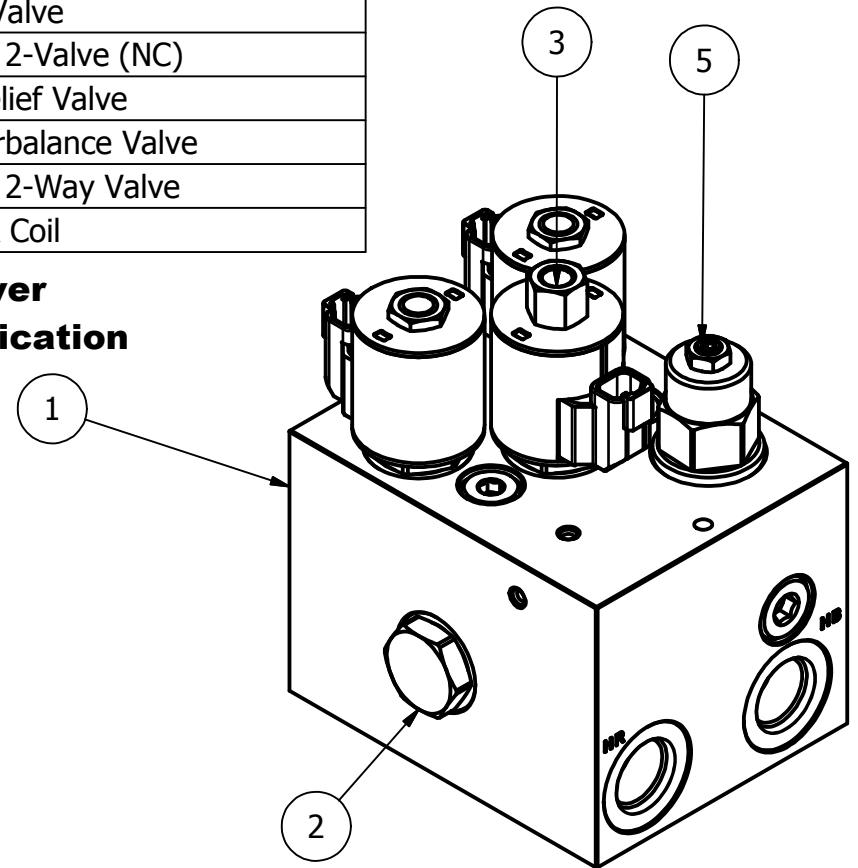
**Back**



PARTS LIST			
ITEM	QTY	PART NUMBER	DESCRIPTION
1	1	1490-6979	8500 Hoist Valve Assy Complete
2	1	1490-5900	Check Valve
3	1	1490-5901	Size 12 2-Valve (NC)
4	1	1490-5902	Pilot Relief Valve
5	1	1490-5914	Counterbalance Valve
6	2	1490-5919	Size 12 2-Way Valve
7	3	1490-5920	#10 ER Coil

**Place Cursor Over  
Item For Identification**

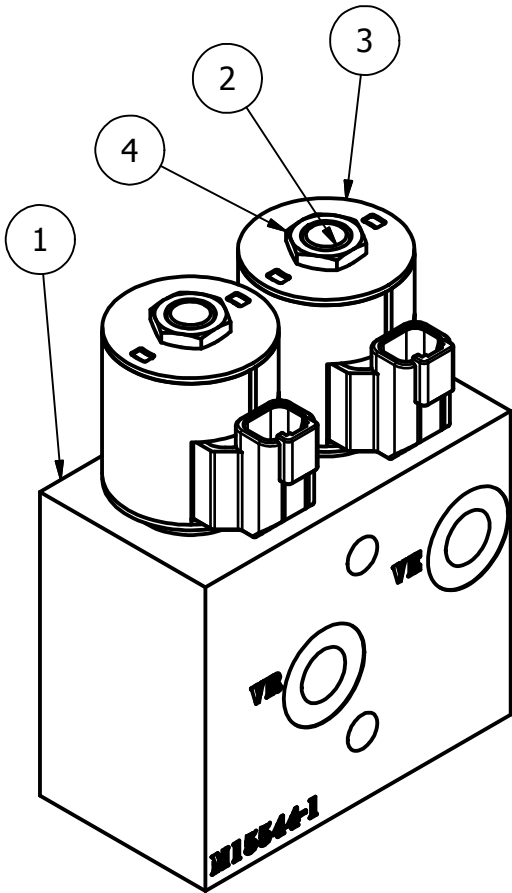
**Home**



---

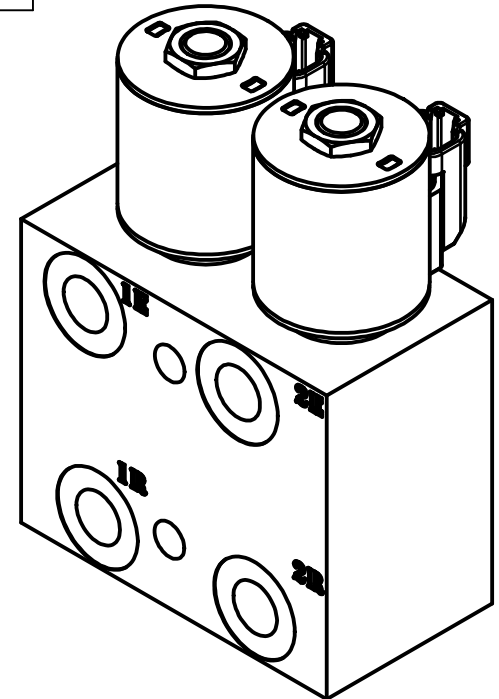
# 1/4-Turn Control Valve 1490-5804

**Back**



PARTS LIST			
ITEM	QTY	PART NUMBER	DESCRIPTION
1	1	M15544-1	Valve Body
2	2	1490-5933	Size #10 2-Way (NC)
3	2	1490-5920	12V #10 ER Coil
4	2	7004400	Jam Nut

**Home**

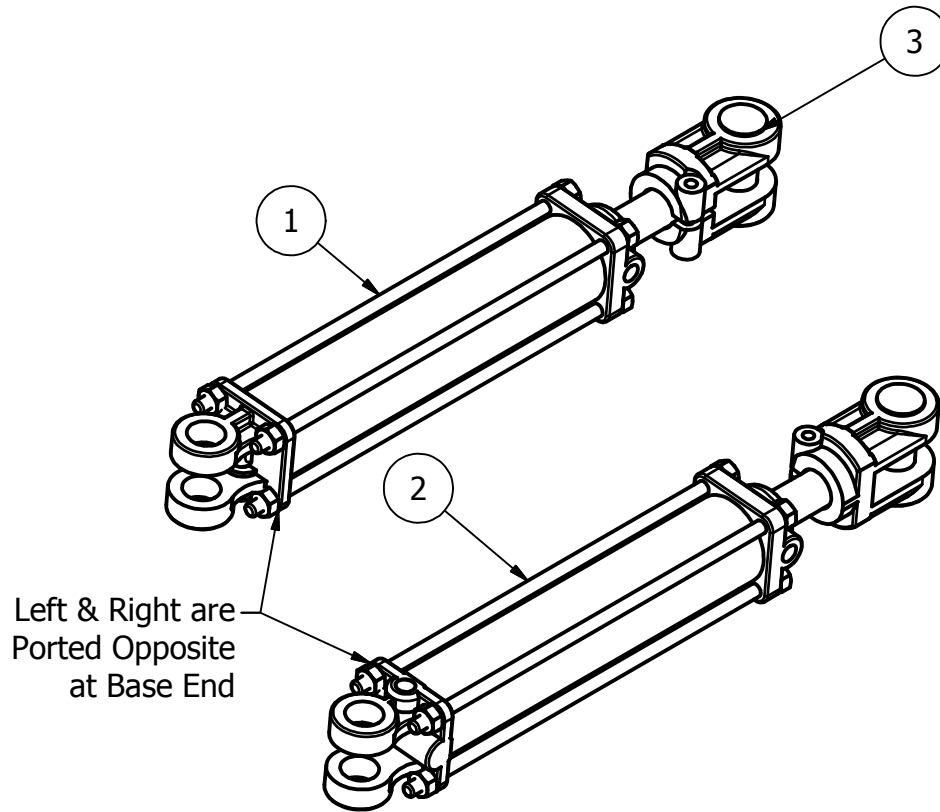


---

# Slide Assist Cylinder

**Back**

**Home**



PARTS LIST			
ITEM	QTY	PART NUMBER	DESCRIPTION
1	2	1490-5146	RF & LR 1/4 Turn Cyl
2	2	1490-5145	LF & RR 1/4 Turn Cyl.
3	4	1490-4566	1 X 2-3/4 Cylinder Pin
4	4	Cotter Pin	1/8 X 1-3/8 Cotter Pin

**1490-5145 & 1490-5146 Use  
Seal Kit # 1490-4627**

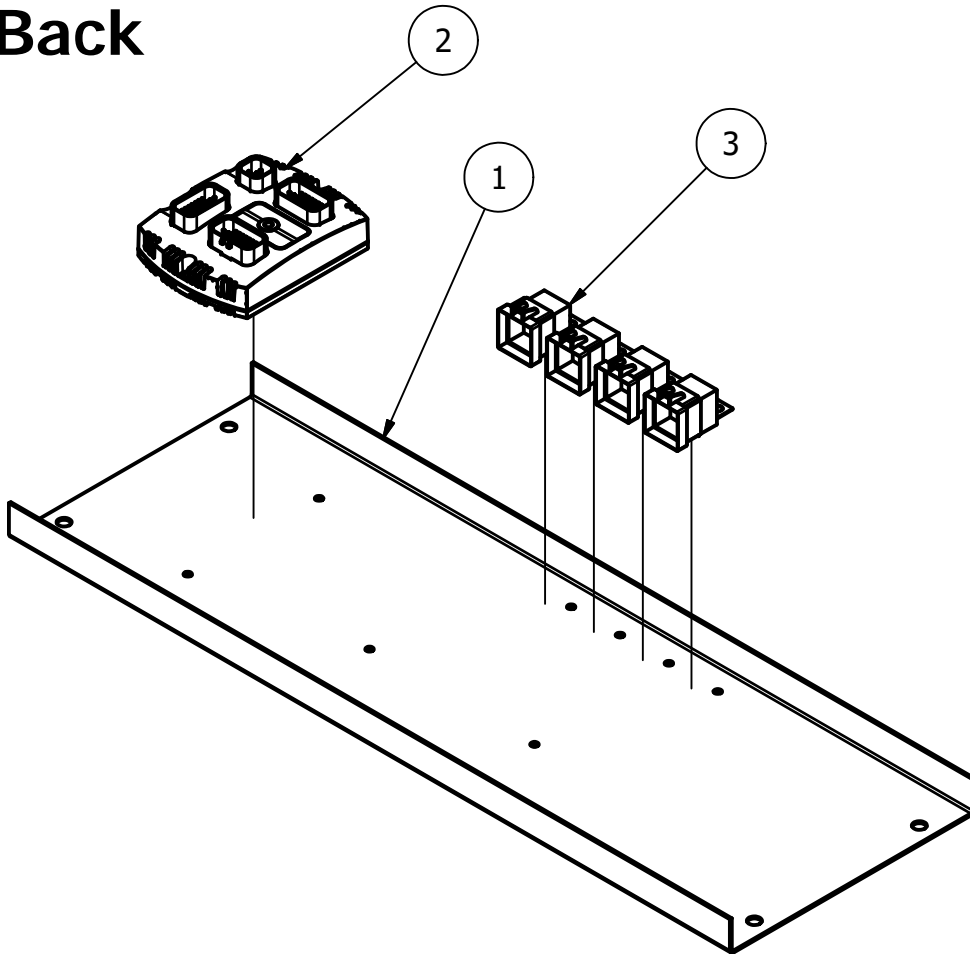
---

---

# ECU Plate Detail

Back

Home



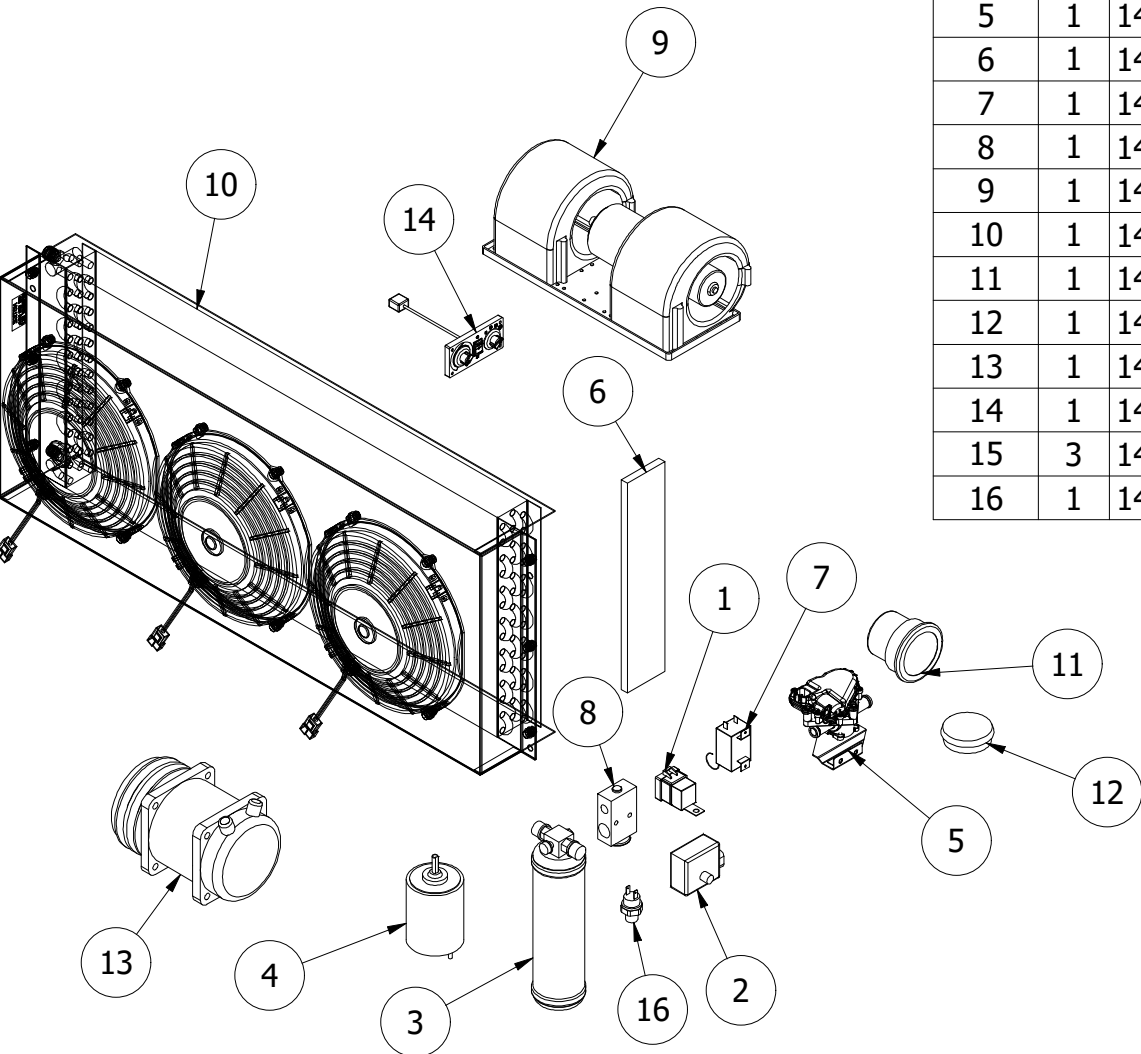
PARTS LIST			
ITEM	QTY	PART NUMBER	DESCRIPTION
1	1	5550-335	ECU Wiring Mount
2	1	1490-6083	Hydraforce 2415 ECU
3	4	1490-5053	Water Tight Relay 12V (A/C)

# Stinger 8500 Stacker A/C Detail

Back

Home

PARTS LIST			
ITEM	QTY	PART NUMBER	DESCRIPTION
1	1	1490-5053	Water Tight Relay 12V (A/C)
2	1	1490-6337	Air flow control motor for CCC cab
3	1	1490-7772	AC Drier,for RD fan Condenser
4	1	1490-7769	12 V Motor, For RD fan condenser
5	1	1490-7763	Able New cab Water valve
6	1	1490-7737	A/C Recirc Filter for Badger
7	1	1490-6532	Thermostat Gen 3 and 4 and 5 Able Cab, Badger
8	1	1490-7735	TXV Expansion Valve, For Badger AC
9	1	1490-7738	A/C Blower, For Badger
10	1	1490-7805	Triple fan Red Dot Condenser 2021 8500
11	1	1490-6334	A/C louver vent for CCC cab (Front of Cab)
12	1	1490-8051	Small louver for Gen. 4 Cab (back wall)
13	1	1490-7989	A/C compressor for 8500 A1046-Later
14	1	1490-6531	A/C Control Panel 2018 Able Cabs
15	3	1490-7900	A/C condenser Fan for 8500, 3 Par Truck
16	1	1490-7771	Switch Pressure, 6500-Later



Charge with approx. 3 lbs of R-134A  
Compressor comes fully charged with 8oz of oil

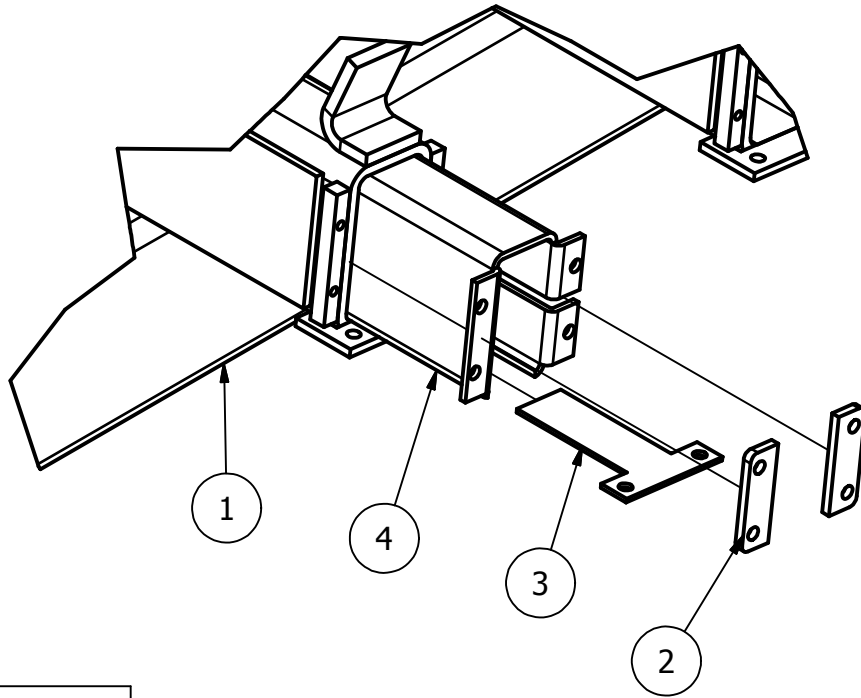


---

# 8500 Squeeze Poly Detail

[Back](#)

[Home](#)



PARTS LIST			
ITEM	QTY	PART NUMBER	DESCRIPTION
1	1	8570A2	8500 Subframe
2	2	2460-320	Squeeze Poly Strap
3	1	2460-328	Squeeze Wear Plate
4	1	2460-331	36" Squeeze Poly Liner

---

---

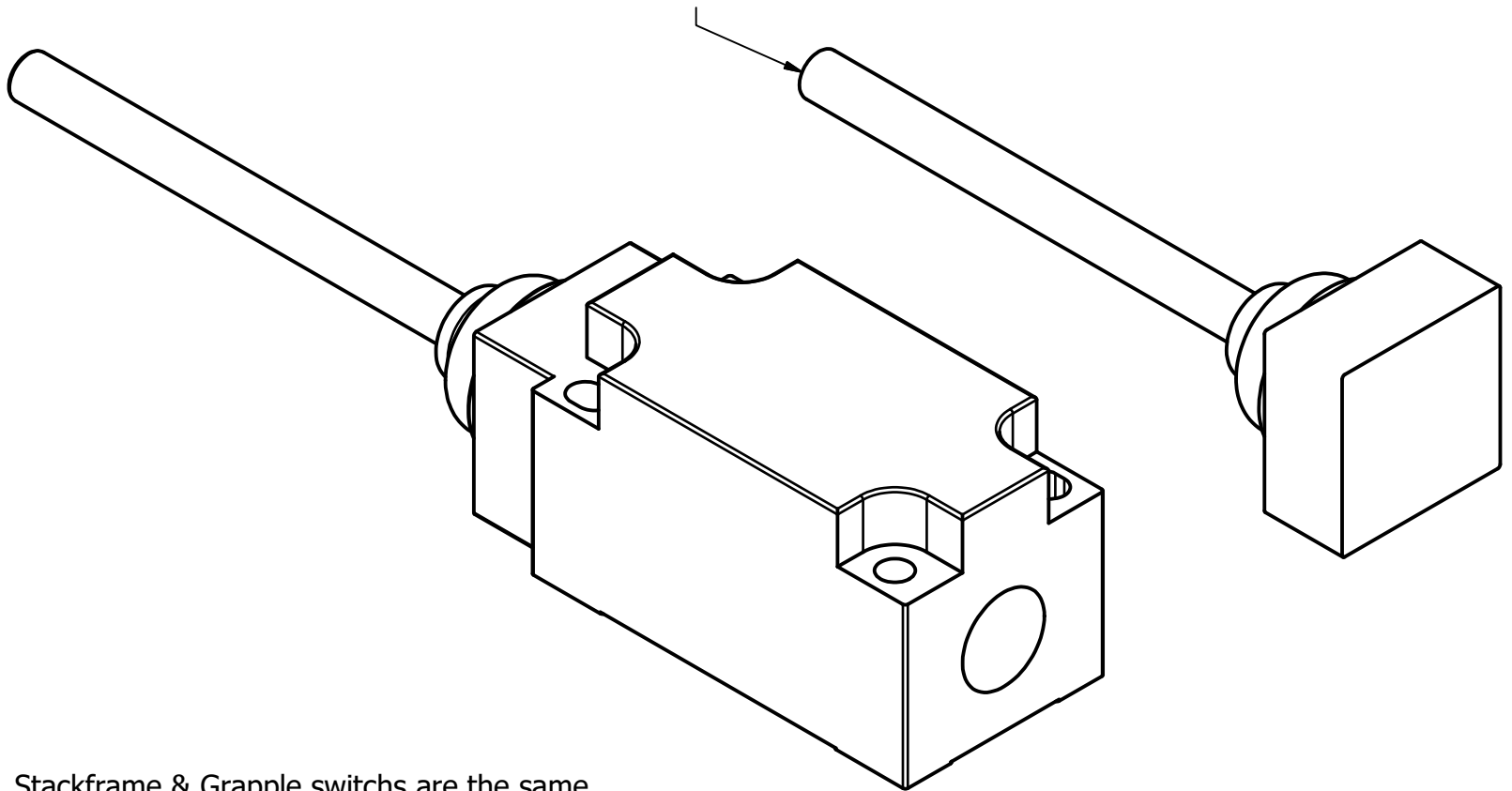
# StackFrame Microswitch

1490-5764

Back

Home

Head assy Only W/Spring Arm  
1490-6080



Stackframe & Grapple switches are the same

---

---

**Rear Axle Assemblies**

**Complete Rear Axle Assembly**

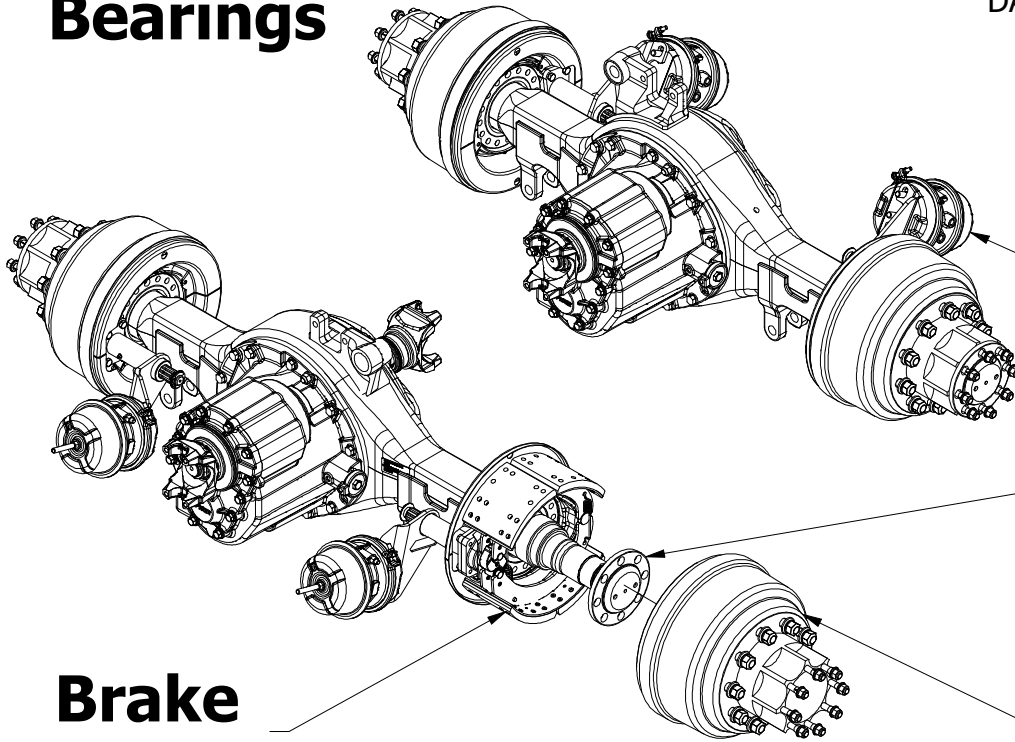
**R Front; CCC Part #005A-0199**

DANA FRONT STEER AXLE D46-590HPW

**R Rear; CCC Part #006A-0413**

DANA REAR STEER AXLE R46-590HPW

**Seals & Bearings**



**Wheel Studs and Nuts**

**Brake Air Chamber**

**Axle Shafts**

**Drive Shafts**

**Brake Drums**

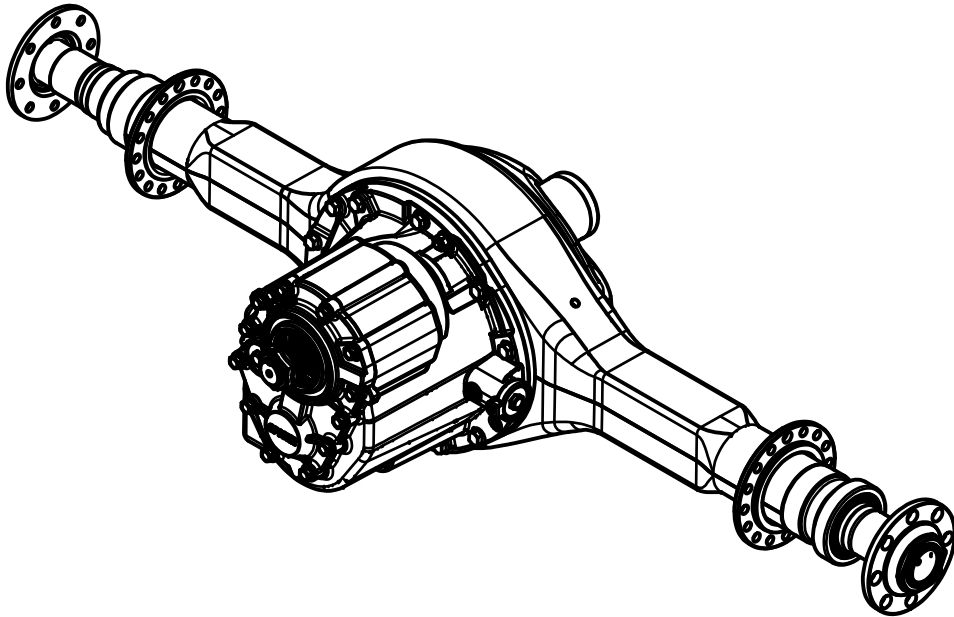
**Brake Shoes**

---

## Rear Axle Seals & Bearings

[Back](#)

[Home](#)



**Inner Rear Axle Bearing  
Part #1490-6018**

**Outer Rear Axle Bearing  
Part #1490-6019**

**Rear Wheel Seal  
Part #1490-5165**

**Rear Wheel Wear Sleeve  
Part #1490-5503**

---

---

## Rear Axle Plate Detail

Back

Home

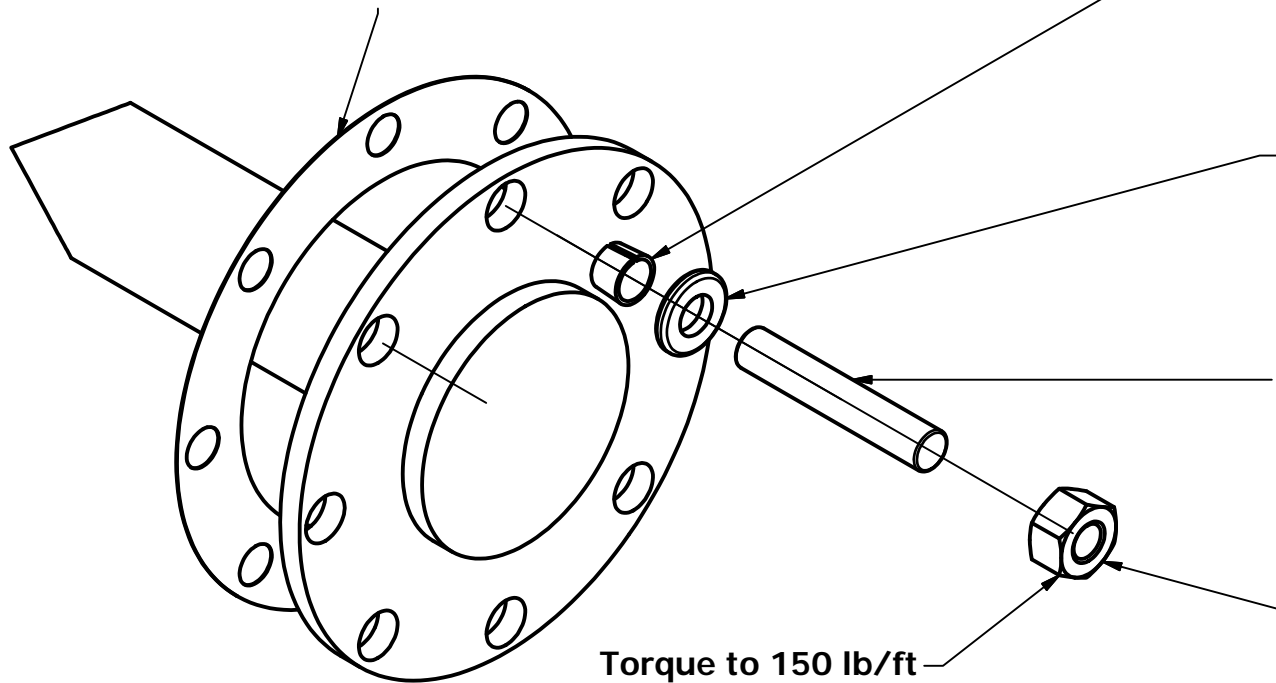
**Axle Flange Gasket**  
**Part #1490-5821**

**Axle Shaft Cone**  
**Part #1490-5605**

**Axle Shaft Washer**  
**Part #1490-5606**

**Axle Drive Stud**  
**Part #1490-5027**

**Axle Shaft Nut**  
**Part #1490-5607**



---

## **Rear Wheel Studs & Nuts**

**[Back](#)**

**[Home](#)**

**S/N A1007 thru S/N A1011**

**(All Hub Pilot Axles)**

**M22x1.5 Thread**

**Euclid Stud: Part # 1490-5803**

**Euclid Nut: Part # 1490-5794**

**[Rear Hub  
& Brake](#)**

**[Rear Axle  
Detail](#)**

---

---

# Rear Axle Hub & Drum Detail

(Complete Assy Including Studs, Nuts & Drum)

## 1490-5837

Back

Home

Torque Axle Plate Nuts 150 Ft/Lb

**1490-5607**

Nut

**1490-5606**

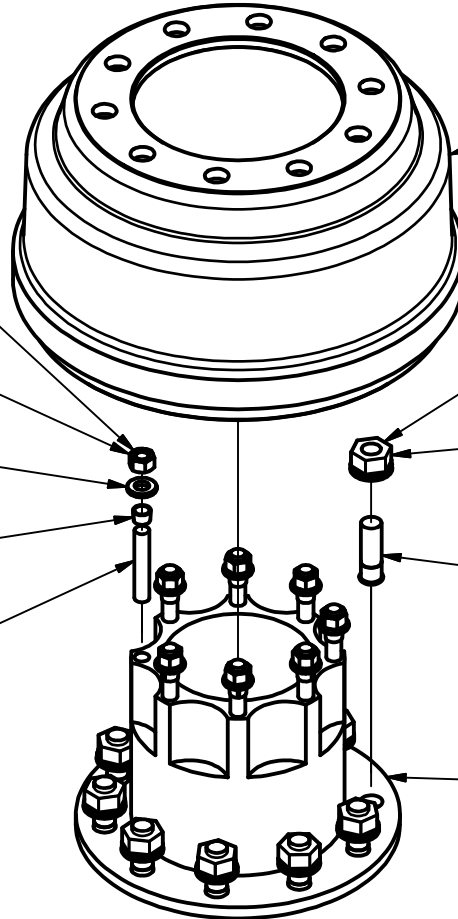
Washer

**1490-5605**

Cone

**1490-5027**

Stud



**1490-5840**

Drum

Torque Wheel Nuts 450-500 Ft/Lb

**1490-5794**

22 X 1.5 Metric Nut

**1490-5803**

22 X 1.5 Metric Stud

**1490-5832**

Hub

---

---

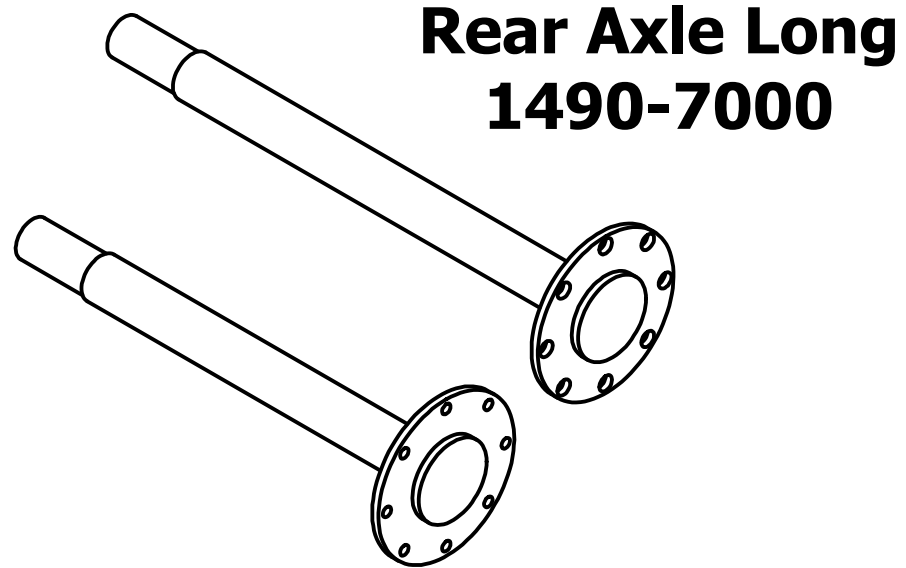
# Rear Axle Shaft

[Back](#)

[Home](#)

**Rear Axle Short  
1490-7001**

**Rear Axle  
Plate Detail**





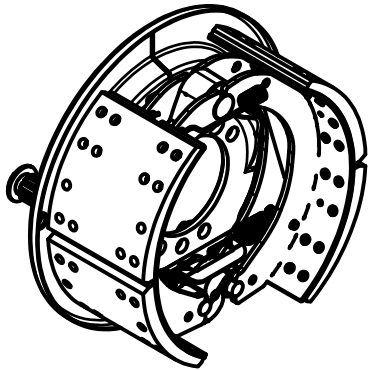
---

# Brake Pad Sets

(come with mounting Hardware Kit)

[Back](#)

[Home](#)



**Front Axle**  
**Eaton Lined Shoe Set**  
**Part #1490-4906**  
(1 set per Wheel)

**Rear Axle**  
**Eaton Lined Shoe Set**  
**Part #1490-4907**  
(1 set per Wheel)

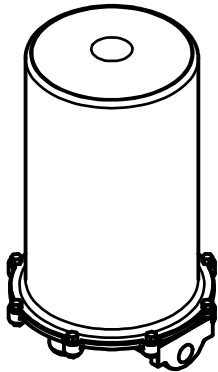
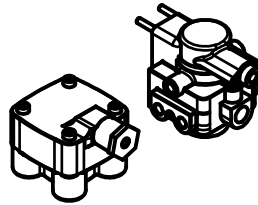
---

---

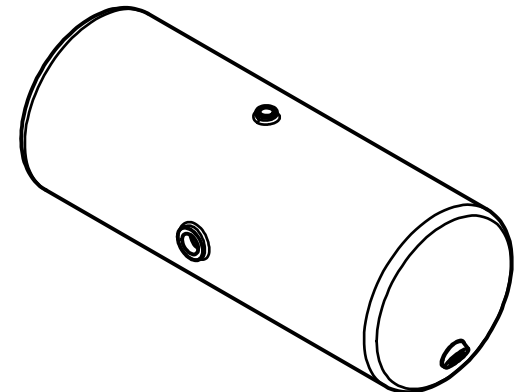
# Stinger Chassis Air-Brake Components

**Back**

**Home**



PARTS LIST	
PART NUMBER	DESCRIPTION
82010001	Air Accumulator Tank (No Fittings)
82010012	Air Tank Drain Valve
82010017	Air Tank Safety Valve (Pop-Off)
82010002	Air Tank Hoop Brackets W/Bolt
83110045	Inside Air Tank Z-Bracket
83110044	Air Tank Hanger Bar
82010003	Air Drier Tank W/Brackets
82010008	Bendix Service Valve
82010007	Bendix Spring Valve (Park Brake)
82010009	Cab-Air Regulator Valve
82010011	Air line Check Valve
82010018	Air Line Double Check Valve



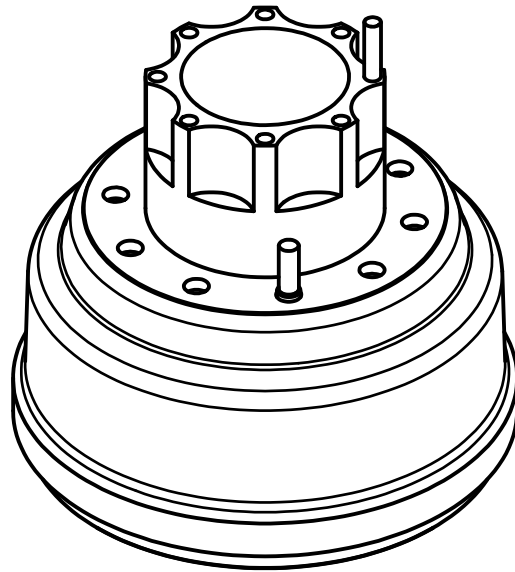
---

# Rear Axle Brake Parts

Hub & Drum Assemblies Come with Wheel & Axle Plate Studs  
(No Nuts, Cones, Washers, or Gasket)

[Back](#)

[Home](#)



**RH Hub & Drum Assy**  
**Part #1490-5835**

**LH Hub & Drum Assy**  
**Part #1490-5836**

**Eaton Lined Shoe Set**  
**Part #1490-4907**  
(1 Per Wheel)

---

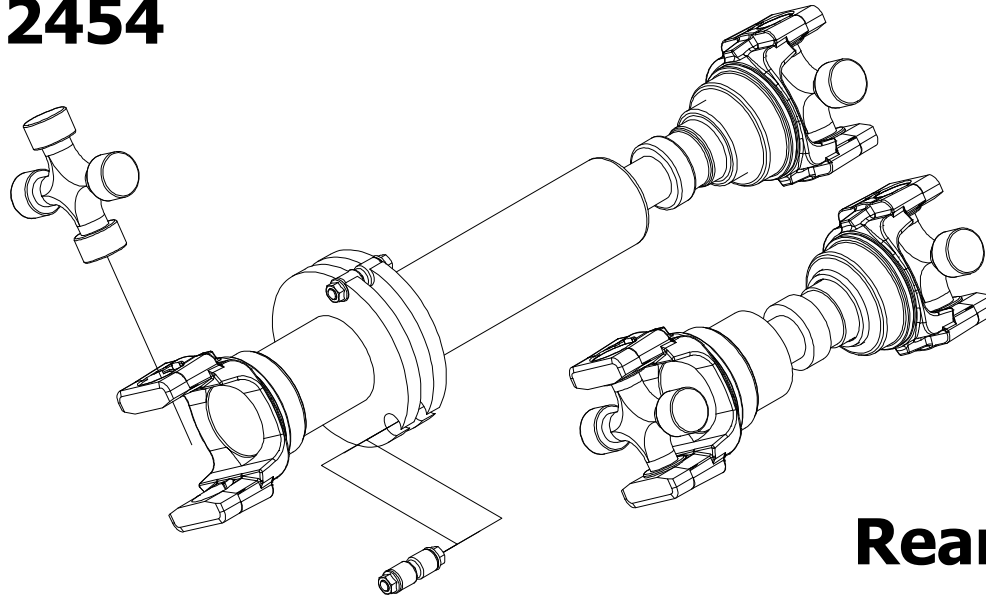
## Drive Shaft Detail

[Back](#)

**Front PTS Drive Shaft Assy  
W/U-Joints and "L" Fuse Set  
Part# 83510035**

[Home](#)

**1710 U-Joint  
Part# 1490-2454**



**"L" Fuse Set Part#  
1490-5750**

**Rear Drive Shaft Assy  
W/U-Joints  
Part# 83510036**

---

# Front Axle Components

Back

Home

Brakes

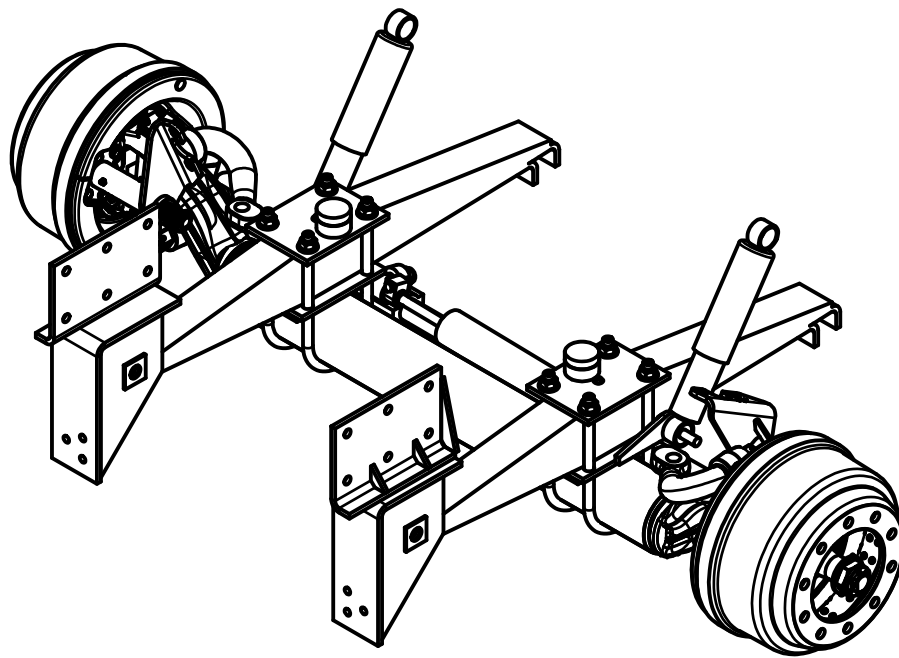
Wheel  
Studs

Steering

Shocks &  
Bumper

Springs &  
Hangers

Other



---

# Front Axle Hub & Drum Components

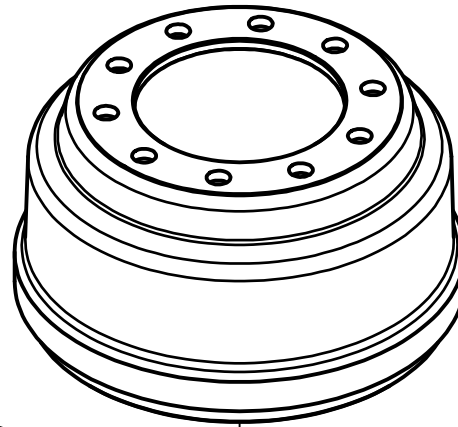
Back

Home

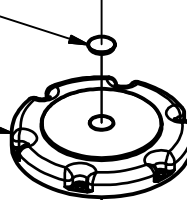
**1490-6732**  
Oil Plug

**1490-6731**  
Hub Cap W/Plug

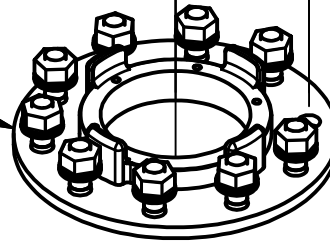
**1490-7022**  
Hub Only



**1490-7021**  
Drum



**1490-5794**  
M22 X 1.5 Nut



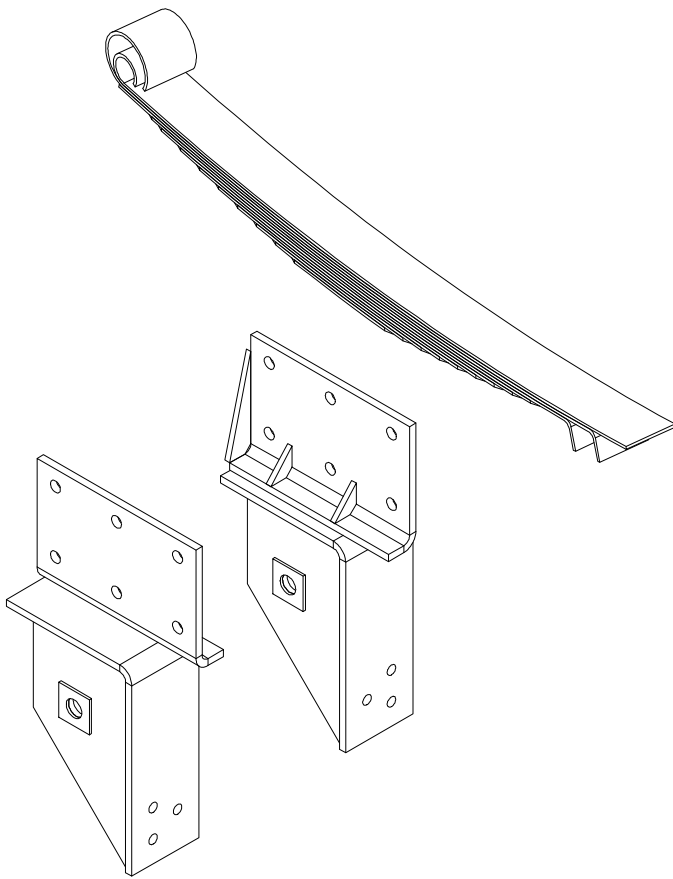
**1490-5803**  
M22 X 1.5 Stud



---

**12 Leaf Front Spring Stack**  
**1490-4989**

U-bolt 1490-5805, Washer & Nut 1490-6022, 1490-5405  
Spring Bolt & Nut 1490-5003, 1490-5004



**LH Front Spring Hanger**  
**Part # 1490-4729**

**RH Front Spring Hanger**  
**Part # 1490-4728**

**LH Rear Spring Hanger**  
**Part # 1490-4730**

**RH Rear Spring Hanger**  
**Part # 1490-4731**

**Bushing &  
Poly Parts**

---

---

**Front Axle Wheel  
Studs & Nuts**

**[Back](#)**

**[Home](#)**

**Euclid Stud Front Hub Pilot M22x1.5  
Part # 1490-5803**

**Euclid Nut Front Hub Pilot M22x1.5  
Part # 1490-5794**

---

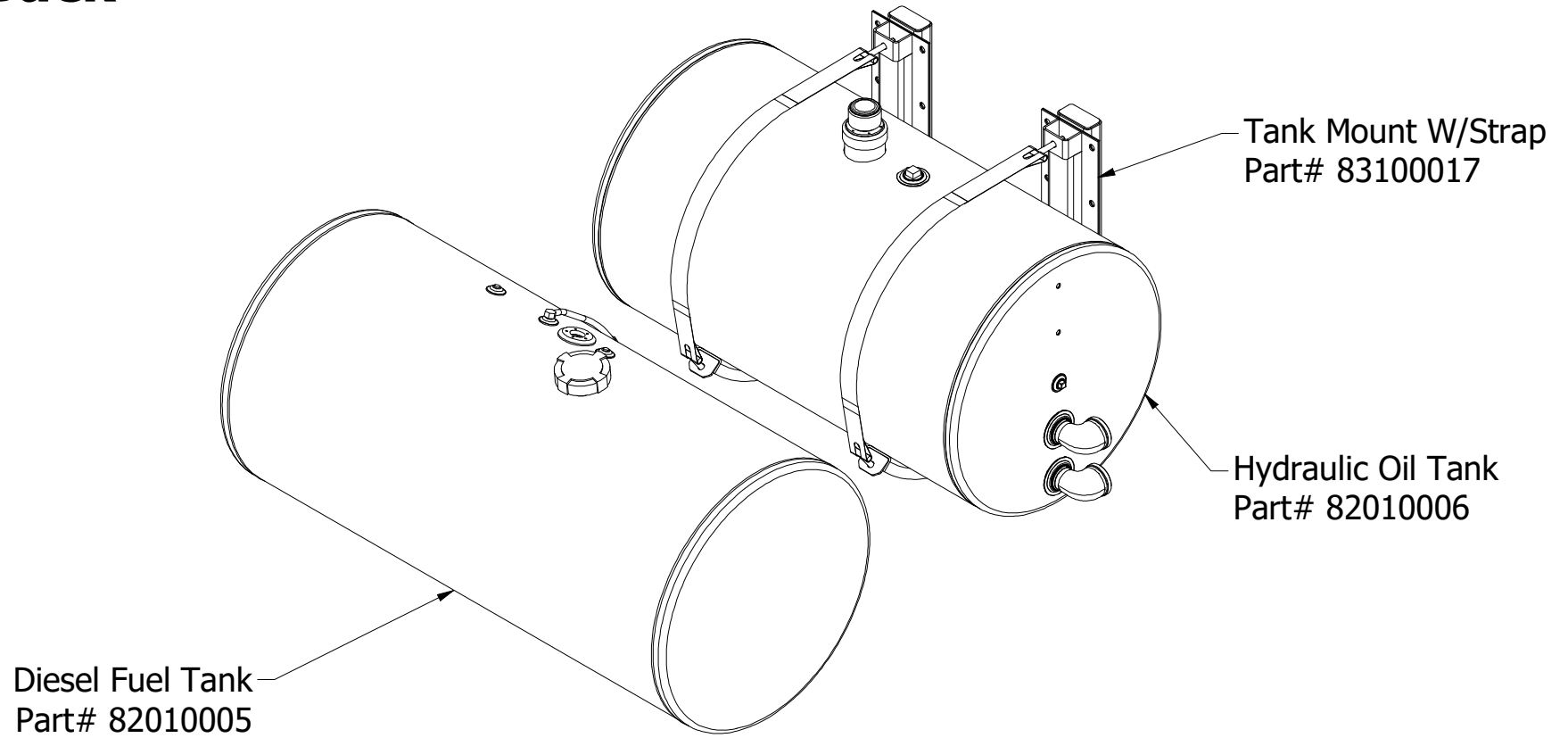


---

# Tanks & Tank Mounts

**Back**

**Home**

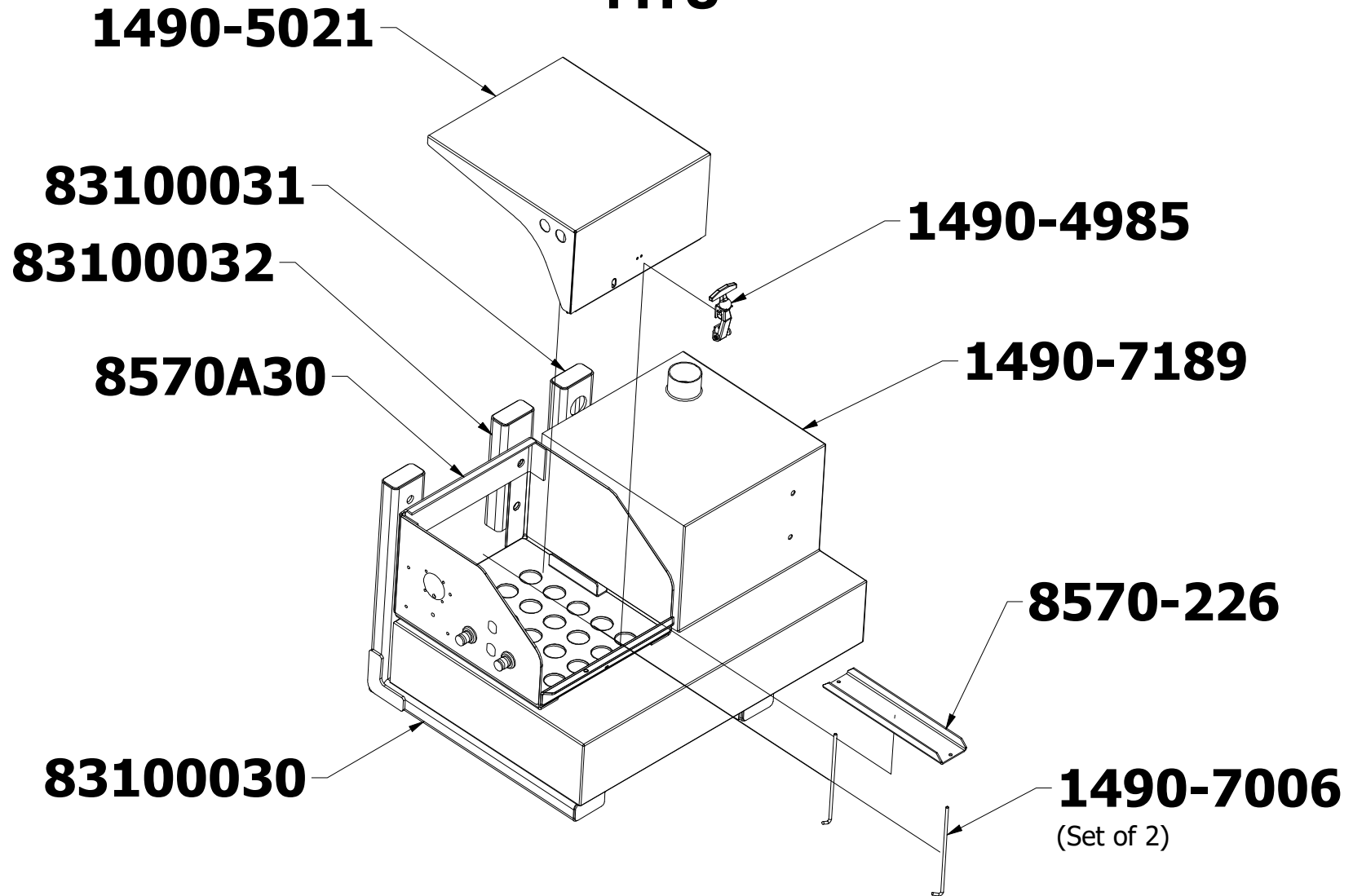


# Stinger 8500 Stacker

[Back](#)

[Home](#)

## Battery Box & Hyd Tank Tank Supports MTU



**Stinger Chassis Mounting Weldments**

---

---

## **Leaf Spring Bushings & Poly Sets**

**Back**

**Home**

**Front Poly Wear Pad Kit**

**Part # 1490-4575**

(one Side Only)

**Rear Poly Wear Pad Kit**

**Part # 1490-4053**

(one Side Only)

**Poly Slipper Steel Plate**

**Part # 1490-7069**

(one Side Only)

**Front Leaf Spring Bushing**

**Part # 1490-4428**

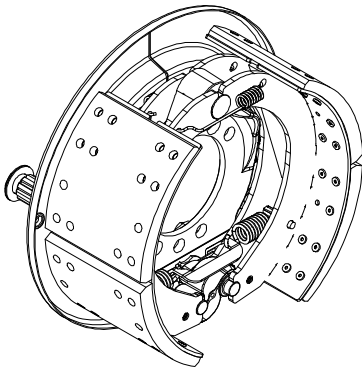
(one Side Only)

**Springs &  
Hangers**

---

## **Brake Pad Sets**

(come with mounting Hardware Kit)



## **Front Axle Brake Shoe Kit Part# 1490-4390**

(1 set per wheel)

## **Rear Axle Brake Shoe Kit Part# 1490-4391**

(1 set per wheel)

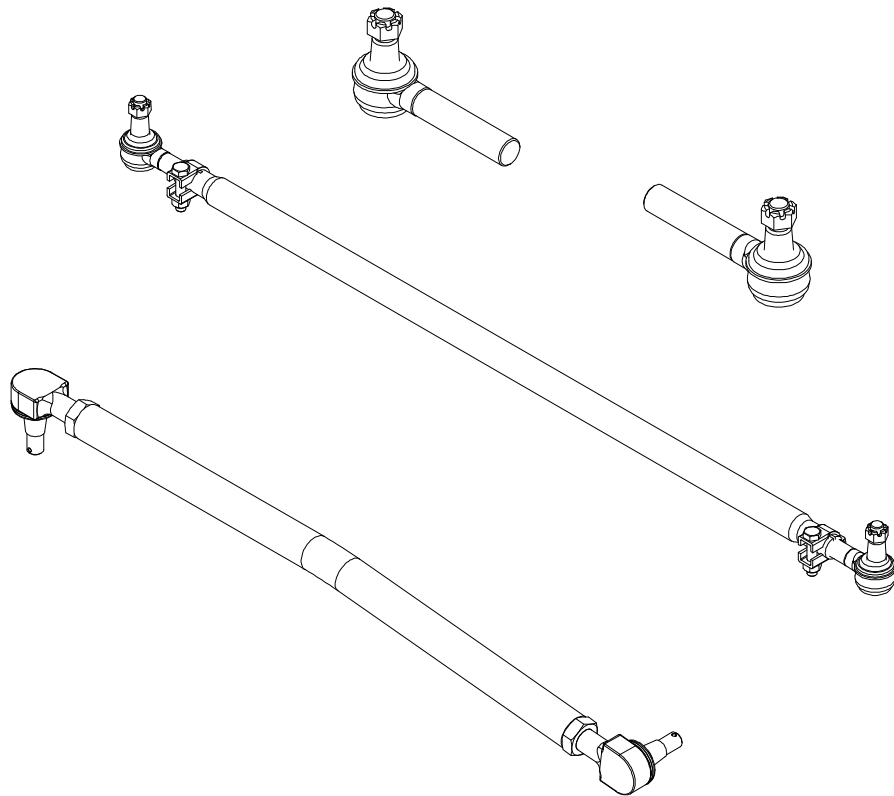
---

---

## Steering Components

**Back**

**Home**



**Complete Tie Rod Assy**  
**Part #1490-6764**  
**S/N A1000-Later**

**LH Tie Rod End**  
**Part #1490-4661**

**RH Tie Rod End**  
**Part #1490-4662**

---

**Complete Drag Link Assy**  
**Part #82500003**

**Drag Link End**  
**Part #1490-7221**

---

---

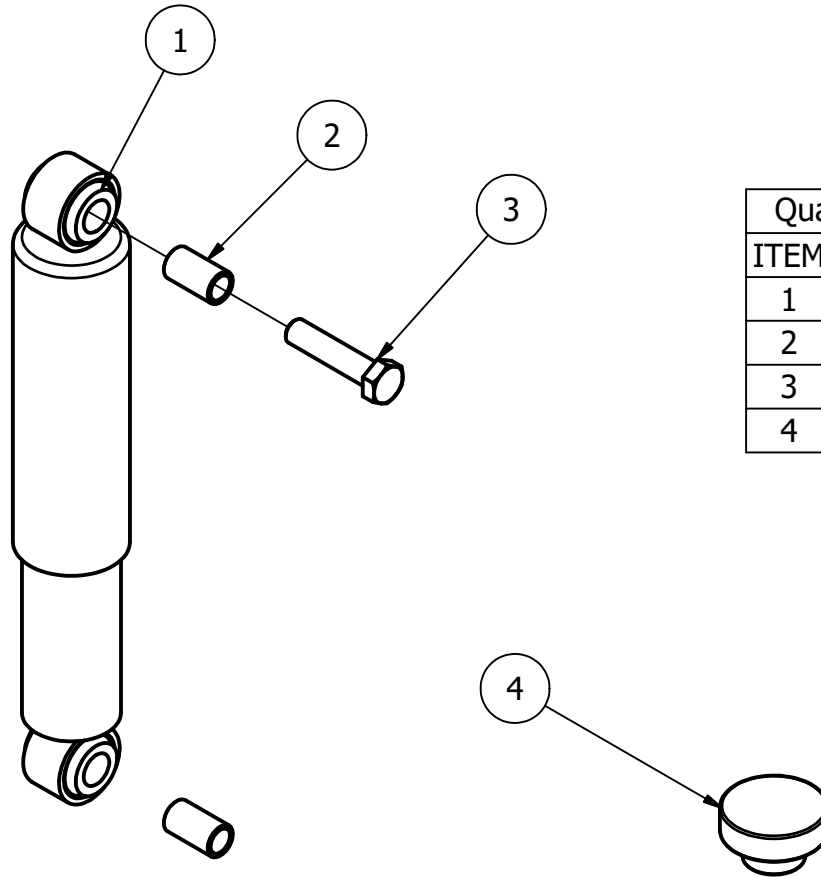
# Front Axle Shock

## Part # 1490-5181

(No Spacers or Bolt)

Back

Home



Quantity per side		PARTS LIST	
ITEM	QTY	PART NUMBER	DESCRIPTION
1	1	1490-5181	Monroe Front Shock
2	2	1490-5301	Front Shock Spacer Sleeve
3	1	1490-6597	3/4-10 UNC - 3.50 Gd 8
4	1	1490-4068	Front Axle Bumper

### Monroe Magnum 70 Part# 74025

Class 7-8 Truck & Bus Shock

15-<sup>3</sup>/<sub>4</sub>" collapsed 24-<sup>3</sup>/<sub>4</sub>" Extended

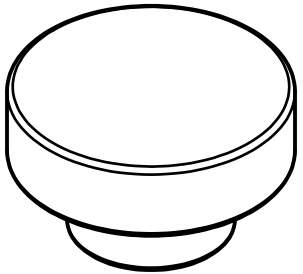
35-16 Rubber Bushings for the Old CCC  
Shock **1490-6232** = Qty 4 per shock

---

## Front Axle Misc Parts

[Back](#)

[Home](#)



**Axle Bumper**  
**Part # 1490-4068**





---

## **Tire & Wheels**

**Back**

**Home**

**Front  
Tires & Wheels**

**Rear  
Tires & Wheels**

**Front Wheel  
Studs & Nuts**

**Rear Wheel  
Studs & Nuts**

**Tire Pressure  
Monitoring System**

---

---

## Rear Tire & Wheel

[Back](#)

[Home](#)

**Steel Wheel**  
**White Powdercoated**  
**Part# 1490-7684**  
22.5x24 with 5/8" 10 hole  
Hp plate 12 1/2" Backset (Hub Pilot)

**BKT Tire**  
**Part #1490-7676**  
750/45R - 22.5

**Tire & Wheel Combo**  
**Part# 1490-7665**

**Steel Wheel**  
**Chromazone Powdercoated**  
**Part# 1490-7759**  
22.5x24 with 5/8" 10 hole  
HP Plate 12 1/2 BS-G (Hub Pilot)

**BKT Tire**  
**Part #1490-7676**  
750/45R - 22.5

---

---

## Front Tire & Wheel

**Back**

**Home**

**Steel Wheel**  
**White Powdercoated**  
**Part# 1490-7682**  
22.5x20 with 5/8" 10 hole  
Hp plate 12 1/4" Backset (Hub Pilot)

**BKT Tire**  
**Part #1490-7677**  
600/50 - 22.5

**Tire & Wheel Combo**  
**Part #1490-7667**

**Steel Wheel**  
**Chromazone Powdercoated**  
**Part# 1490-7758**  
22.5x24 with 5/8" 10 hole  
HP Plate 12 1/2 BS-G (Hub Pilot)

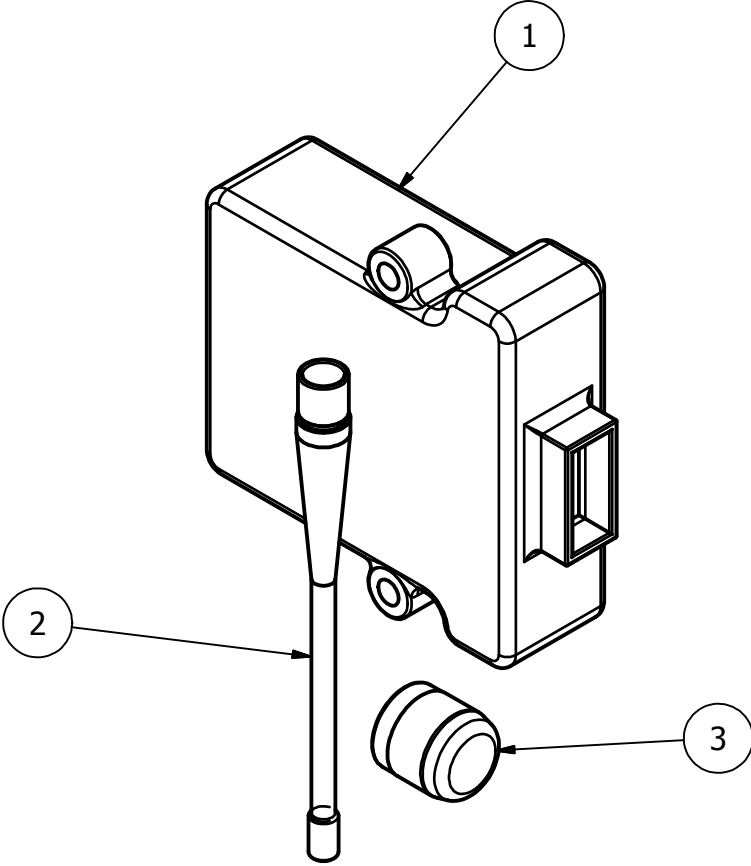
**BKT Tire**  
**Part #1490-7677**  
600/50 - 22.5

---

# Tire Pressure Monitoring System

**Back**

**Home**



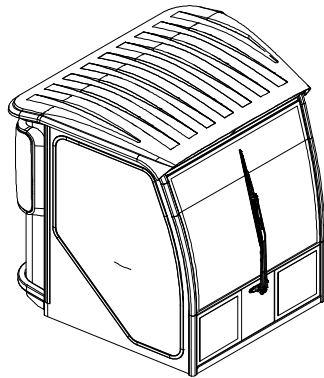
PARTS LIST			
ITEM	QTY	PART NUMBER	DESCRIPTION
1	1	1490-6054	Tire Pressure J1939 Gateway
2	1	1490-6057	7" Antenna for Tire Pressure Gateway
3	1	1490-5780	Tire Pressure Sensor 2.0

# Stinger 8500 Stacker

[Back](#)

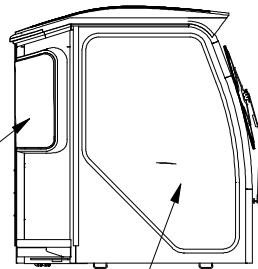
[Home](#)

## Glass & Seals Gen 4 Able Cab

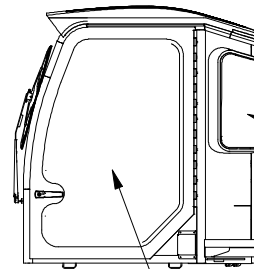


1490-6535 Windshield for Able Cab  
Manufacturer Part # 173-5100

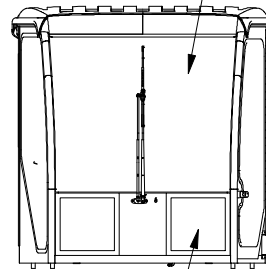
1490-7020 RH Rear Corner Glass  
Manufacturer Part # 173-5106  
1490-7866 Kit Glass, Bolt in seal



1490-7019 LH Rear Corner Glass  
Manufacturer Part # 173-5105  
1490-7866 Kit Glass, Bolt in seal



1490-7012- Side Glass RH  
Manufacturer Part # 173-5102  
14907724 Rubber Window Trim  
Manufacturer Part # 284A-0051



1490-7503 Door Glass Gen 4 Able Cab  
Manufacturer Part # 173-5101 R1  
1490-7724 Rubber Window Trim  
Manufacturer Part # 284A-0051

1490-6536 Lower Front Glass Both Sides  
Manufacturer Part # 173-5104

28" Wiper Blades 1490-6520

## **Engine Coolant MTU 1300**

Zerex G40 Antifreeze T4 MTU Engine, Coolant.....1490-7197

**Coolant Change 75 qts Every 2000 hrs**

50/50 Coolant/Antifreeze

---

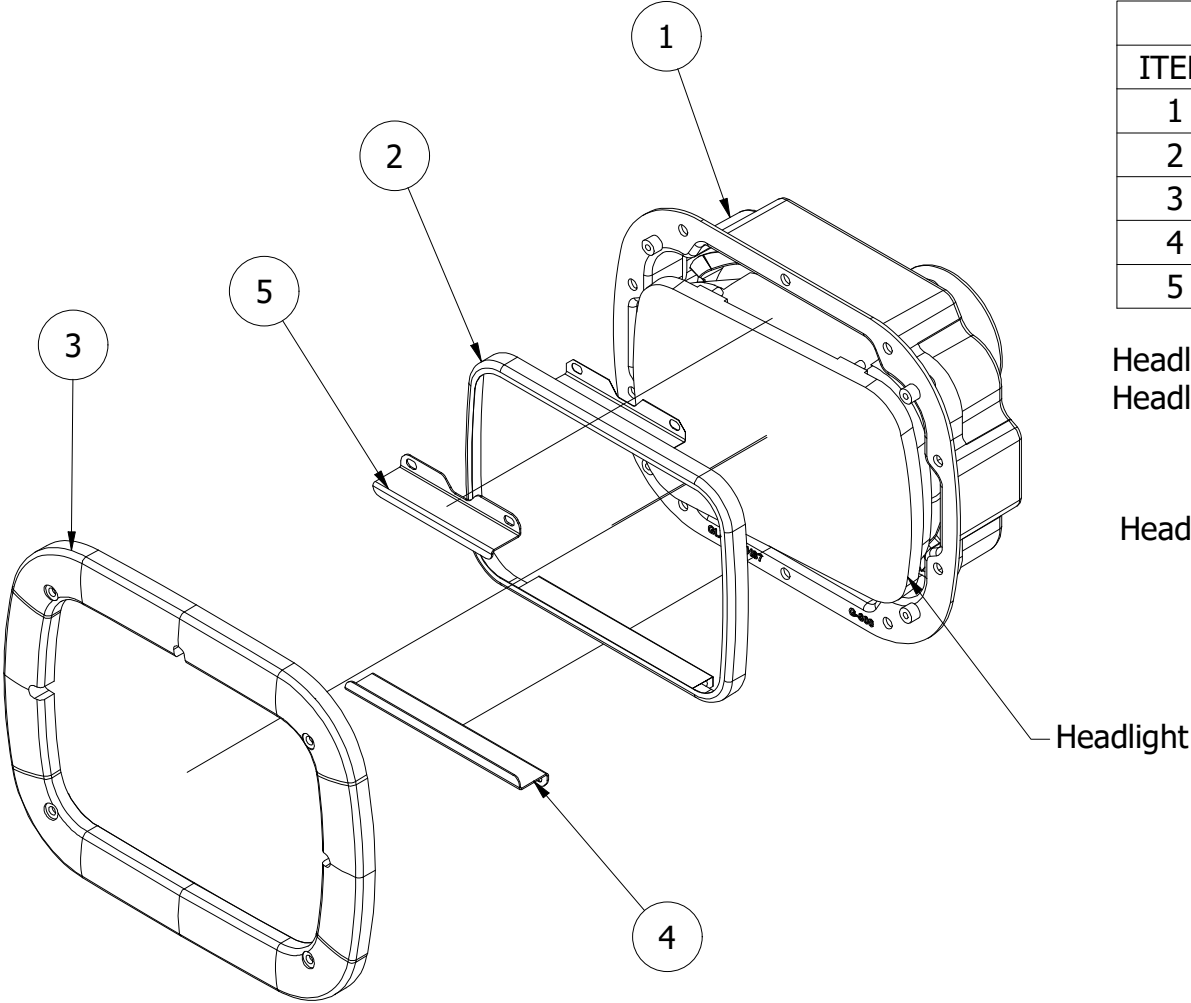
## Exhaust Sensors

## Headlight & Housing

PARTS LIST			
ITEM	QTY	PART NUMBER	DESCRIPTION
1	1	1490-5618	Headlight Housing
2	1	1490-7419	Headlight Retaining Ring
3	1	1490-5427	Chrome Ring Bezel
4	1	8570-532	Headlight Saver Tab Lg
5	1	8570-533	Headlight Saver Tab Sm

Headlight LED 5X7 Real Lux for new Trucks.....1490-7429  
 Headlight Hallogen Bulb For old Trucks.....1490-5931

Headlight Plate.....1490-6886



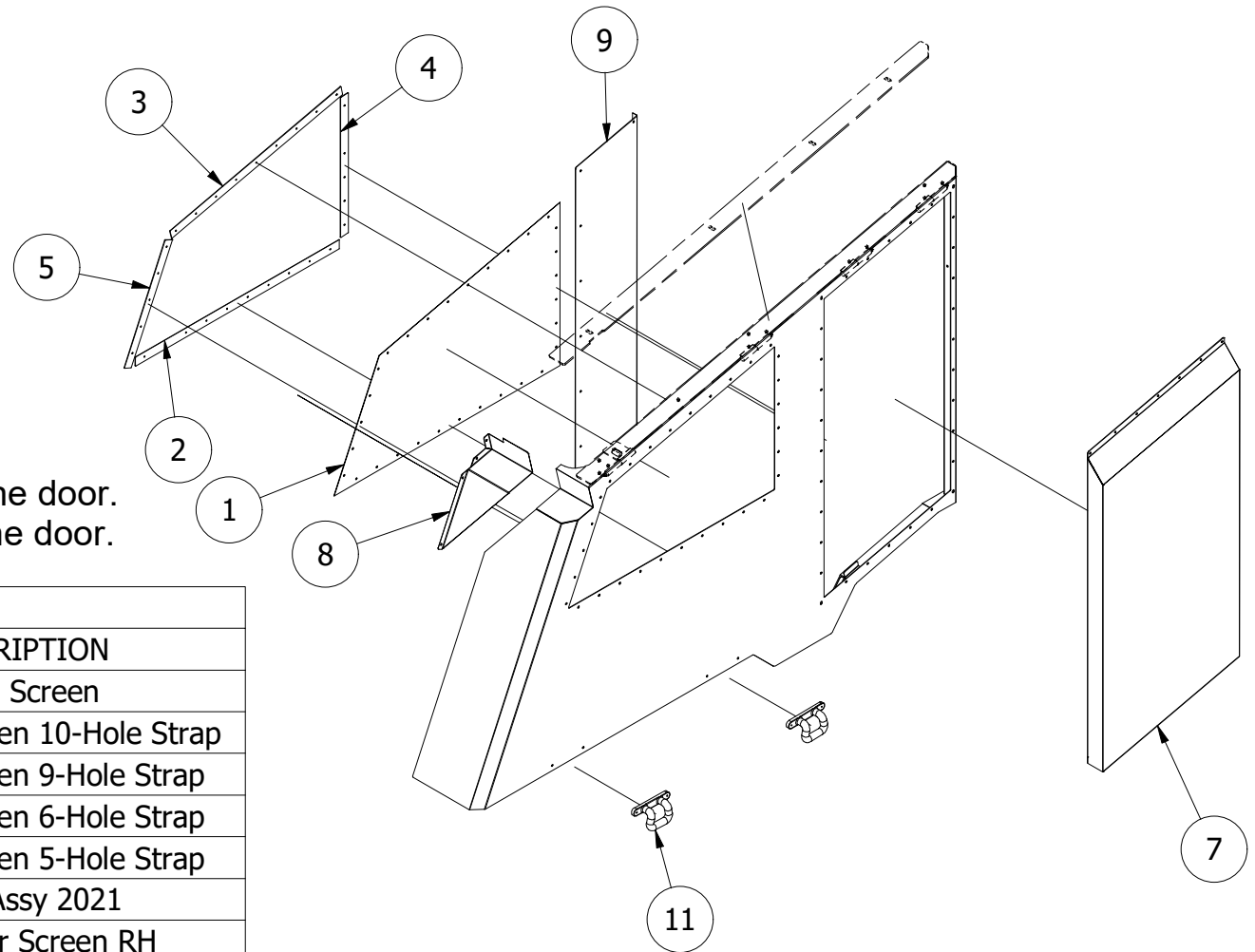
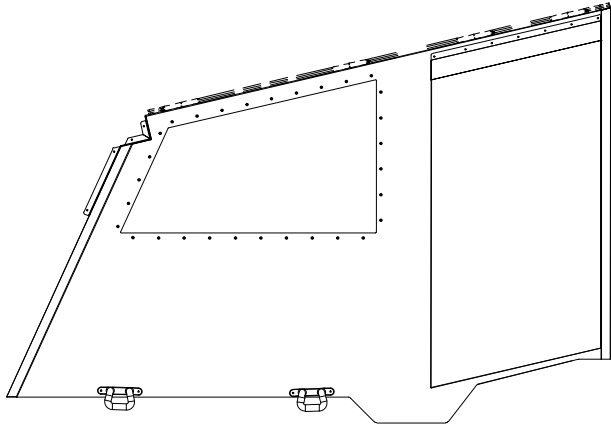


# Stinger 8500 Stacker

[Back](#)

[Home](#)

## Door Assy RH



1490-7051 200# Front Shock on engine door.  
1490-1149 110# Back Shock on engine door.

### PARTS LIST

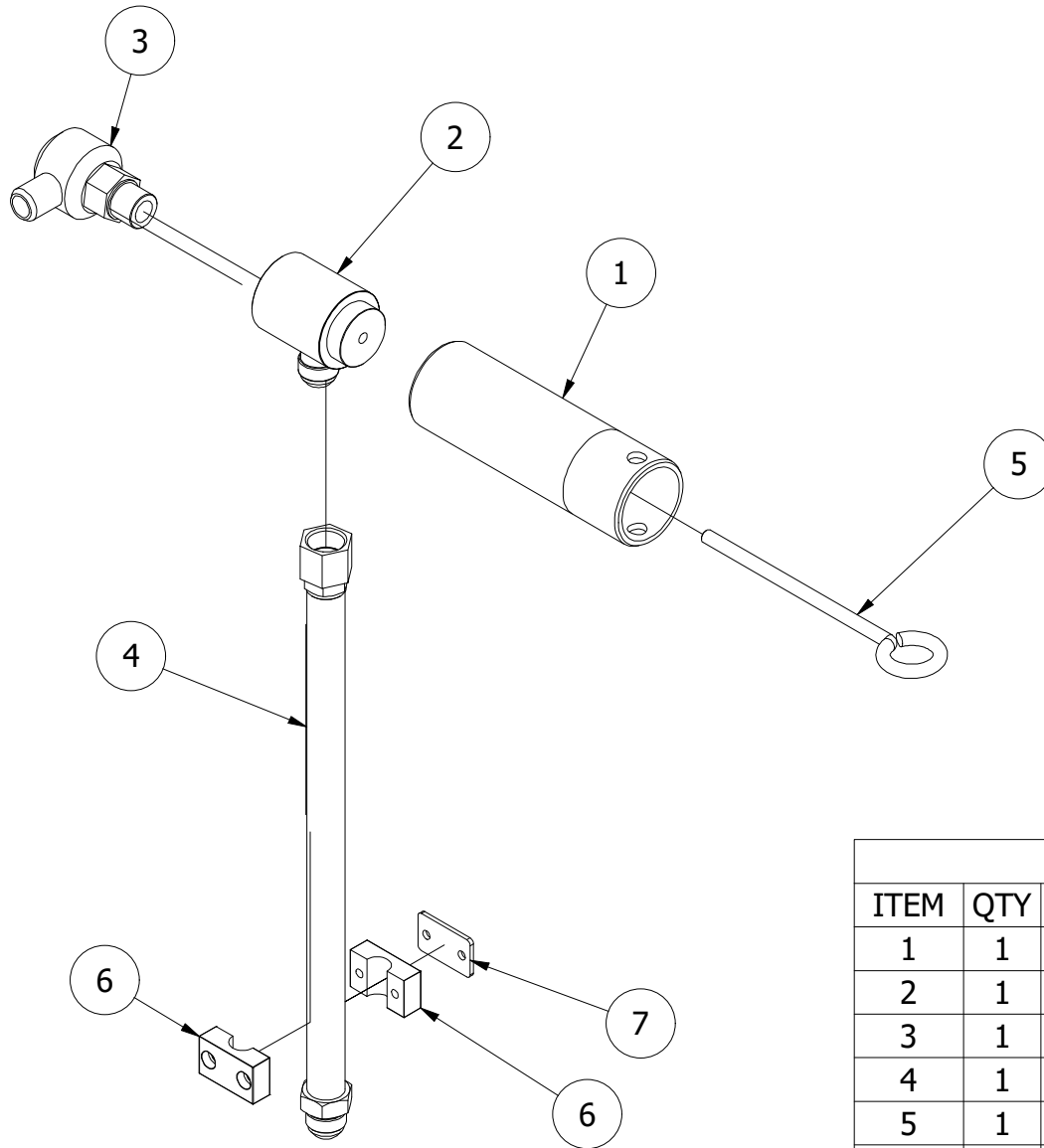
ITEM	QTY	PART NUMBER	DESCRIPTION
1	1	8570-136	8500 Rear Door Screen
2	1	8570-183	8500 Door Screen 10-Hole Strap
3	1	8570-184	8500 Door Screen 9-Hole Strap
4	1	8570-185	8500 Door Screen 6-Hole Strap
5	1	8570-186	8500 Door Screen 5-Hole Strap
6	1	8570A88	8500 RH Door Assy 2021
7	1	8570-545	8500 Front Door Screen RH
8	1	8570-555	RH Door Filler Panel
9	1	8570-552	RH Door Air Baffle 8500
11	2	14904243	Molded Grab Handle

# Stinger 8500 Stacker

[Back](#)

[Home](#)

## Detail A, Assy



PARTS LIST			
ITEM	QTY	PART NUMBER	DESCRIPTION
1	1	5540-111	Main Pivot Shaft
2	1	1490-5879	Main Pivot Hose Swivel Mount Block
3	1	1490-5849	3/4' Hydraulic High Pressure Swivel
4	1	1400-202	Front Swivel Steel Line
5	1	3_8 X 8 Eye bolt	Long Shank Eye Bolt
6	2	14905609	1/2 Smoothie Single Clamp Insert
7	1	14904909	1/2 & 5/8 Single Cover

# Stinger 8500 Stacker

[Back](#)

[Home](#)

## Rear Suspension

ITEM	QTY	PART #	DESCRIPTION	STINGER PART #
1	2	620XX-XXX	Torque Rod Assembly, Straddly/Straddle	
2	2	62350-XXX	Torque Rod Assembly, Straddly/Taper	
3	6	47691-000L	Straddle Bushing	
4	2	64697-000L	Taper Bushing	
5	4	22186-000	Torque Rod Frame Bracket	1490-7642
6	4	45045-010	Back Plate, Replaces 45045-003	
7	As Reg	49689-000L	Torque Rod Shim	
8	4	34013-104	Bar Pin End Bushing	

**Hendrickson**  
 (Rear Suspension)  
 Parts & Service Manuals

